

***Hypertherm***<sup>®</sup>

## 2020 torch and consumables catalog

For Powermax<sup>®</sup> and MAX<sup>®</sup> plasma systems





# Contents

- 4 Current Powermax® systems and torch series by amperage
- 5 Powermax® and MAX® legacy products
- 6 Powermax30® XP
  - 7 Duramax® LT hand torch parts
- 8 Powermax30® AIR
  - 9 AIR T30 hand torch parts
- 10 Powermax45® XP
  - 12 Duramax® Lock 75° hand torch parts
  - 13 Duramax® Lock 15° hand torch parts
  - 14 Duramax® Lock 180° machine torch parts
  - 15 Duramax® 180° mini machine torch parts
  - 16 Duramax® 180° robotic torch parts
  - 17 Duramax® 90° robotic torch parts
  - 18 Duramax® 45° robotic torch parts
- 20 Powermax65®
  - 22 Duramax® 75° hand torch parts
  - 23 Duramax® 15° hand torch parts
  - 24 Duramax® 180° machine torch parts
  - 25 Duramax® 180° mini machine torch parts
  - 26 Duramax® 180° robotic torch parts
  - 27 Duramax® 90° robotic torch parts
  - 28 Duramax® 45° robotic torch parts
- 30 Powermax85®
  - 32 Duramax® 75° hand torch parts
  - 33 Duramax® 15° hand torch parts
  - 34 Duramax® 180° machine torch parts
  - 35 Duramax® 180° mini machine torch parts
  - 36 Duramax® 180° robotic torch parts
  - 37 Duramax® 90° robotic torch parts
  - 38 Duramax® 45° robotic torch parts
- 40 Powermax105®
  - 42 Duramax® 75° hand torch parts
  - 43 Duramax® 15° hand torch parts
  - 44 Duramax® 180° machine torch parts
  - 45 Duramax® 180° mini machine torch parts
  - 46 Duramax® 180° robotic torch parts
  - 47 Duramax® 90° robotic torch parts
  - 48 Duramax® 45° robotic torch parts
- 50 Powermax125®
  - 52 Duramax® Hyamp™ 85° hand torch parts
  - 53 Duramax® Hyamp™ 15° hand torch parts
  - 54 Duramax® Hyamp™ 180° full-length machine torch parts
  - 55 Duramax® Hyamp™ mini machine torch parts
  - 56 Duramax® Hyamp™ 180° robotic torch parts
  - 57 Duramax® Hyamp™ 90° robotic torch parts
  - 58 Duramax® Hyamp™ 45° robotic torch parts
  - 59 Duramax® Hyamp™ 45° long hand torch replacement parts
  - 61 Duramax® Hyamp™ 90° long hand torch replacement parts
- 66 Powermax30®
  - 67 T30v hand torch parts
- 68 Powermax45®
  - 70 T45v hand torch parts
  - 71 T45m machine torch parts
- 72 Powermax45®
  - 74 Duramax® 75° hand torch parts
  - 74 Duramax® 15° hand torch parts
  - 75 Duramax® 180° machine torch parts
  - 75 Duramax® 180° mini machine torch parts
  - 76 Duramax® 180° robotic torch parts
  - 76 Duramax® 90° robotic torch parts
  - 77 Duramax® 45° robotic torch parts
- 78 Powermax380®
  - 79 PAC110T hand torch parts
- 80 Powermax350®
  - 81 PAC110 hand torch parts
- 82 MAX20®
  - 83 PAC110 hand torch parts
- 84 Powermax190c®
  - 85 PAC105T hand torch parts
- 86 Powermax600®
  - 87 PAC123T hand torch parts
  - 88 PAC123M machine torch parts
- 90 MAX40cs/42/43®
  - 91 PAC121TS/PAC125T hand torch parts
  - 92 PAC121P hand torch parts
- 94 MAX40®/HT40®
  - 95 PAC140 hand torch parts
  - 96 MAX40®/HT40® machine torch parts
- 98 HT40®/HT40C
  - 99 HT40®/HT40C® torch parts
- 100 Powermax1000®
  - 102 T60 hand torch parts
  - 103 T60M machine torch parts
- 104 Powermax900®
  - 105 PAC125T hand torch parts
  - 106 PAC125M machine torch parts
- 108 Powermax800®
  - 110 PAC121TS/PAC125T hand torch parts
  - 111 PAC121M/PAC125M machine torch parts
- 112 Powermax1250®
  - 114 T80 hand torch parts
  - 115 T80M machine torch parts
- 116 Powermax1100®
  - 117 PAC135T hand torch parts
  - 118 PAC135M machine torch parts

- 120 MAX70/MAX100®
- 121 PAC130 hand torch parts
- 122 MAX70/MAX100 machine torch parts
- 124 Powermax1650®
- 126 T100 hand torch parts
- 127 T100M machine torch parts
- 128 T100M-2 machine torch parts
- 130 MAX100D®
- 132 PAC160/E hand torch parts
- 133 MAX100D machine torch parts
- 134 Duramax® HRT/HRTs/MRT retrofit torch
- 136 Duramax® HRT/HRTs hand torch parts
- 137 Duramax® MRT machine torch parts
- 138 Duramax® HRT/MRT retrofit torch
- 140 Duramax® HRT hand torch parts
- 141 Duramax® MRT machine torch parts
- 142 RT60/RT60M retrofit torch
- 144 RT60 hand torch parts
- 145 RT60M machine torch parts
- 146 RT80/RT80M retrofit torch
- 148 RT80 hand torch parts
- 149 RT80M machine torch parts
- 151 Appendix
- 151 MAX42® and MAX43® systems Duramax® retrofit torches
- 151 Powermax600® Duramax® retrofit torches
- 152 Powermax800® and Powermax900® Duramax® retrofit torches
- 152 Powermax1000® T100 replacement torches
- 153 Powermax1000® Duramax® retrofit torches
- 153 Powermax1100® RT80 torch replacements
- 153 Powermax1250® Duramax® retrofit torches
- 154 Powermax1250® T100 replacement torches
- 154 Powermax1650® Duramax® replacement torches
- 154 Powermax1650® T100 replacement torches
- 155 Powermax65® Duramax® replacement torches
- 155 Powermax85® Duramax® replacement torches
- 155 Powermax65® and Powermax85® torch and lead replacement kits

## Hypertherm® technical service

Hypertherm Inc.  
 Etna Road, P.O. Box 5010  
 Hanover, NH 03755 USA  
 603-643-3441 Tel (Main office)  
 603-643-5352 Fax (All departments)  
 info@hypertherm.com (Main office email)  
 800-643-9878 Tel (Technical service)  
 technical.service@hypertherm.com  
 (Technical service)  
 800-737-2978 Tel (Customer service)  
 customer.service@hypertherm.com  
 (Customer service)  
 866-643-7711 Tel (Return Materials  
 Authorization RMA)  
 877-371-2876 Fax (RMA)  
 return.materials@hypertherm.com (RMA)

Hypertherm México, S.A. de C.V.  
 Avenida Toluca No. 444, Anexo 1,  
 Colonia Olivar de los Padres  
 Delegación Álvaro Obregón  
 México, D.F. C.P. 01780  
 52 55 5681 8109 Tel  
 52 55 5683 2127 Fax  
 Soporte.Tecnico@hypertherm.com  
 (Technical service)

South America & Central America:  
 Hypertherm Brasil Ltda.  
 Rua Bras Cubas, 231 – Jardim Maia  
 Guarulhos, SP – Brasil  
 CEP 07115-030  
 55 11 2409 2636 Tel  
 tecnico.sa@hypertherm.com (Technical service)

Hypertherm Plasmatechnik GmbH  
 Sophie-Scholl-Platz 5  
 63452 Hanau  
 Germany  
 00 800 33 24 97 37 Tel  
 00 800 49 73 73 29 Fax  
 31 (0) 165 596900 Tel (Technical service)  
 00 800 4973 7843 Tel (Technical service)  
 technicalservice.emea@hypertherm.com  
 (Technical service)

Hypertherm Europe B.V.  
 Vaartveld 9, 4704 SE  
 Roosendaal, Nederland  
 31 165 596907 Tel  
 31 165 596901 Fax  
 31 165 596908 Tel (Marketing)  
 31 (0) 165 596900 Tel (Technical service)  
 00 800 4973 7843 Tel (Technical service)  
 technicalservice.emea@hypertherm.com  
 (Technical service)

Hypertherm (Singapore) Pte Ltd.  
 82 Genting Lane  
 Media Centre  
 Annexe Block #A01-01  
 Singapore 349567, Republic of Singapore  
 65 6841 2489 Tel  
 65 6841 2490 Fax  
 Marketing.asia@hypertherm.com (Marketing)  
 TechSupportAPAC@hypertherm.com  
 (Technical service)

Hypertherm Japan Ltd.  
 Level 9, Edobori Center Building  
 2-1-1 Edobori, Nishi-ku  
 Osaka 550-0002 Japan  
 81 6 6225 1183 Tel  
 81 6 6225 1184 Fax  
 HTJapan.info@hypertherm.com (Main office)  
 TechSupportAPAC@hypertherm.com  
 (Technical service)

Hypertherm (Shanghai) Trading Co., Ltd.  
 B301, 495 ShangZhong Road  
 Shanghai, 200231  
 PR China  
 86-21-80231122 Tel  
 86-21-80231120 Fax  
 86-21-80231128 Tel (Technical service)  
 techsupport.china@hypertherm.com  
 (Technical service)

Hypertherm Korea Branch  
 #3904, APEC-ro 17, Heaundae-gu, Busan.  
 Korea 48060  
 82 (0)51 747 0358 Tel  
 82 (0)51 701 0358 Fax  
 Marketing.korea@hypertherm.com (Marketing)  
 TechSupportAPAC@hypertherm.com  
 (Technical service)










Hypertherm Pty Limited  
 GPO Box 4836  
 Sydney NSW 2001, Australia  
 61 (0) 437 606 995 Tel  
 61 7 3219 9010 Fax  
 au.sales@hypertherm.com (Main office)  
 TechSupportAPAC@hypertherm.com  
 (Technical service)

Hypertherm (India) Thermal Cutting Pvt. Ltd  
 A-18 / B-1 Extension,  
 Mohan Co-Operative Industrial Estate,  
 Mathura Road, New Delhi 110044, India  
 91-11-40521201/ 2/ 3 Tel  
 91-11 40521204 Fax  
 HTIndia.info@hypertherm.com (Main office)  
 TechSupportAPAC@hypertherm.com  
 (Technical service)

# Powermax®








## Product line overview



		Powermax30 XP	Powermax30 AIR	Powermax45 XP	Powermax65	Powermax85	Powermax105	Powermax125
Cut capacity	<b>Recommended</b>	3/8"	5/16"	5/8"	3/4"	1"	1-1/4"	1-1/2"
	<b>Severance</b>	5/8"	5/8"	1-1/8"	1-1/4"	1-1/2"	2"	2-1/4"
	<b>Output range</b>	15-30	15-30	10-45	20-65	25-85	30-105	30-125
	<b>Input phase</b>	Single	Single	Single or three	Three	Three	Three	Three
Application capabilities	 <b>Mechanized cutting</b>			●	●	●	●	●
	 <b>Drag cutting</b>	●	●	●	●	●	●	●
	 <b>FineCut®</b>	●		●	●	●	●	●
	 <b>Marking</b>			●				
	 <b>Precision gouging</b>			●				
	 <b>Max control gouging</b>			●	●	●	●	●
	 <b>Max removal gouging</b>				●	●	●	●
	 <b>HyAccess™</b>	●		●	●	●	●	●
	 <b>FlushCut™</b>			●	●*	●*	●*	●






\*Using the 45 A FlushCut consumables above 45 amps on the Powermax65/85/105 will cause premature consumable damage.

# Current Powermax systems and torch series by amperage



Current systems	Page	System	Amperage	Torch series	
				Current	Optional
	6	Powermax30® XP	30	Duramax LT	
	8	Powermax30 AIR	30	AIR T30	
	10	Powermax45 XP	45	Duramax Lock	Duramax Hvamp
	20	Powermax65	65	Duramax	Duramax Hvamp
	30	Powermax85	85	Duramax	Duramax Hvamp
	40	Powermax105	105	Duramax	Duramax Hvamp
	50	Powermax125	125		Duramax Hvamp

Match the color code to the consumable packaging to select the correct consumables by torch series.



Color code	Torch series
	Duramax® LT
	T30 / T45v / T45m
	T30 AIR
	Duramax®, Duramax® Lock, and Duramax® RT
	Duramax® Hvamp™

\*Not all consumables for Legacy torches are available. Please check pages in the guide carefully for recommended upgrade options.

Legacy systems	System	Amperage	Torch series		
			Current	Optional	
	66	Powermax30	30	T30v	
	68	Powermax45	45	T45v / T45m	Duramax

# Powermax® and MAX® legacy products

Upgrade now!

● = Available



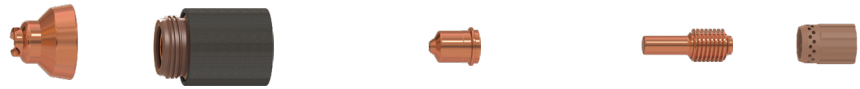
Parts are no longer available  
System or torch upgrade recommended.

Page	Legacy systems	End of producton Year	Availability of		Retrofit and upgrade options available							Support options available			
			Select original consumable and torch parts		Torches		Powermax® systems					Technical Service	hypertherm.com	Channel partner	
			● = Last order date 11/2020	● = Last order date 11/2020	RT80	Duramax RT	30 AIR	30 XP	45 XP	65	85	105			
94	MAX40	1990	●	●					●					●	●
90	MAX40 CS	1996	●	●					●					●	●
90	MAX42	1996	●	●		●			●					●	●
82	MAX20	1997	●	●				●						●	●
120	MAX70	1997	●	●							●	●		●	●
98	HT40/HT40c	1998/1997	●	●					●					●	●
108	Powermax800	1998	●	●		●				●				●	●
90	MAX43	1999	●	●		●			●					●	●
80	Powermax350	2001	●	●				●						●	●
104	Powermax900	2001	●	●		●				●	●			●	●
116	Powermax1100	2002	●	●	●						●			●	●
130	MAX100/100D	2002/1999	●	●							●	●		●	●
78	Powermax380	2007	●	●				●						●	●
86	Powermax600	2008	●	●		●			●				●	●	●
84	Powermax190c	2009												●	●
100	Powermax1000	2010	●	●		●				●			●	●	●
112	Powermax1250	2010	●	●		●					●		●	●	●
124	Powermax1650	2012	●	●		●						●	●	●	●

See pages 64-65 for current system part number information.

# Powermax30® XP

## Duramax® LT hand torch consumables



Minimum order quantity		1	1	5	5	1	
Consumable type	Torch type	Shield/deflector	Retaining cap	Nozzle		Electrode	Swirl ring
Standard (15-30 A)	Hand	420116	420114	420118		420120	420211
Quantity in kit		2 (1 each)	1	4	3	7	1
Essential cutting kit – 851479 (15-30 A)	Hand	420116 (Standard shield) 420115 (FineCut deflector)	420114	420118 (Standard)	420117 (FineCut)	420120	420211
							Combination kit 428243 <sup>1</sup>



<sup>1</sup>Kit contains 2 standard nozzles (420118) and 2 electrodes (420120)



Minimum order quantity		1	1	5	5	1	
Consumable type	Torch type	Shield/deflector	Retaining cap	Nozzle	Electrode	Swirl ring	
FineCut (15-30 A)	Hand	420115	420114	420117	420120	420211	
							Combination kit 428244 <sup>2</sup>

<sup>2</sup>Kit contains 2 FineCut nozzles (420117) and 2 electrodes (420120)



Minimum order quantity		1	1	1	1	1	
Consumable type	Torch type	Retaining cap	Nozzle		Electrode	Swirl ring	
HyAccess drag-cutting (15-30 A)	Hand	420148	420144		420137	420211	
HyAccess gouging (15-30 A)			420147				
Quantity in kit		1	1	1	2	1	
HyAccess kit – 428337 (15-30 A)	Hand	420148	420144 (cutting)	420147 (gouging)	420137	420211	
							HyAccess cutting only starter pack – 428443 <sup>3</sup> HyAccess gouging only starter pack – 428444 <sup>4</sup>



<sup>3</sup>Starter pack contains 1 retaining cap (420148), 1 cutting nozzle (420144) and 1 electrode (420137)

<sup>4</sup>Starter pack contains 1 retaining cap (420148), 1 gouging nozzle (420147) and 1 electrode (420137)





# Duramax® LT hand torch parts

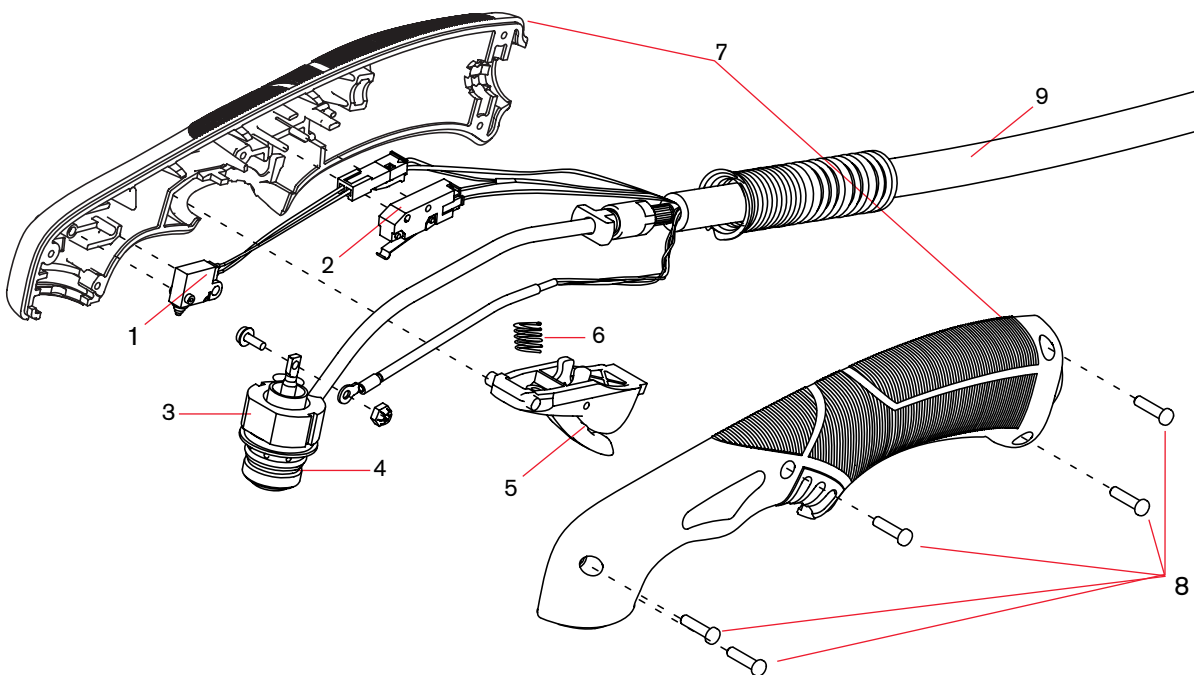
For use with the Powermax30® XP



## Duramax LT hand torch parts

You can replace the entire hand torch and lead assembly, or you can replace individual torch components.

Item	Kit/Part number	Description
	428174	Kit: Duramax LT hand torch assembly with 4.6 m (15') lead. The torch assembly includes one set of general-purpose (standard) consumables: electrode (420120), swirl ring (420211), retaining cap (420114), nozzle (420118), shield (420116)
1	228109	Kit: Torch cap-sensor switch
2	428162	Kit: Torch start switch
3	428178	Kit: Duramax LT torch body (includes o-ring)
4	428179	Kit: Replacement o-rings for torch body
5	428156	Kit: Torch trigger and spring
6	428182	Kit: Replacement springs for torch trigger
7	428177	Kit: Duramax LT torch handle (includes handle screws)
8	428181	Kit: Duramax LT torch replacement handle screws
9	428176	Kit: Duramax LT torch lead, 4.6 m (15'), with strain relief



See pages 64-65 for current system part number information.

# Powermax30® AIR

## AIR T30 hand torch consumables



Minimum order quantity		1	1	5	5	1
Consumable type	Torch type	Shield/deflector	Retaining cap	Nozzle	Electrode	Swirl ring
Drag-cutting (15–30 A)	Hand	420399	420135	420134	420132	420133
Quantity in kit		1	1	7	7	1
Essential cutting kit – 851462 (15–30 A)	Hand	420399	420135	420134	420132	420133
				Combination kit 428350 <sup>1</sup>		



<sup>1</sup>Kit contains 2 standard nozzles (420134) and 2 electrodes (420132)



# AIR T30 hand torch parts

For use with the Powermax30® AIR

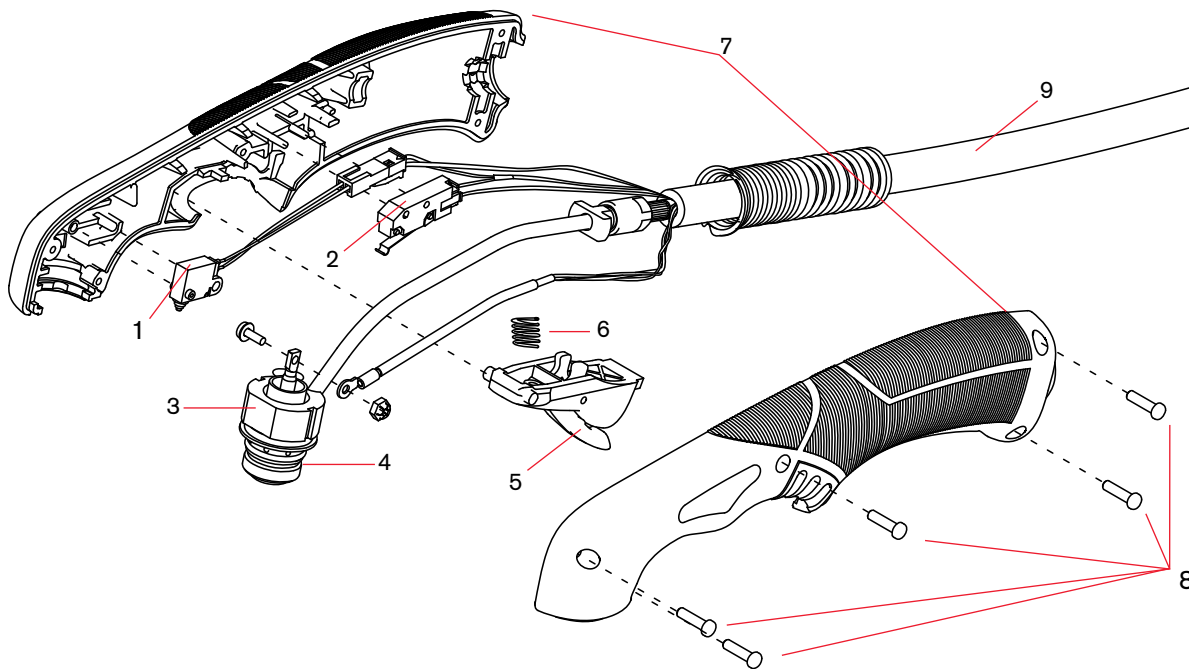


## AIR T30 hand torch parts

You can replace the entire hand torch and lead assembly, or you can replace individual torch components.

Item	Kit/Part number	Description
	428393 <sup>1</sup>	Kit: AIR T30 hand torch assembly with 4.6 m (15 foot) lead
1	228109	Kit: Torch cap-sensor switch
2	428162	Kit: Torch start switch
3	428394	Kit: AIR T30 torch body (includes o-ring)
4	428179	Kit: Replacement o-rings for torch body
5	428156	Kit: Torch trigger and spring
6	428182	Kit: Replacement springs for torch trigger
7	428381	Kit: AIR T30 torch handle (includes handle screws)
8	428181	Kit: AIR T30 torch replacement handle screws
9	428176	Kit: AIR T30 torch lead, 4.6 m (15'), with strain relief

<sup>1</sup>Assembly includes consumables.



See pages 64-65 for current system part number information.

# Powermax45® XP

## Duramax® Lock hand/machine consumables



Minimum order quantity		1	1	5	5	1
Consumable type	Torch type	Shield/deflector	Retaining cap	Nozzle	Electrode	Swirl ring
Drag-cutting (15–45 A)	Hand	220818 <sup>2</sup>	220854	220941 <sup>2</sup> (45 A)	220842 <sup>2</sup> or 220777 <sup>1,2</sup>	220857
Quantity in kit		2	1	7	7	1
Essential cutting kit – 851510 (15–45 A)	Hand	220818	220854	220941	220842	220857



<sup>1</sup>For longer consumable life when cutting metal 1/2 inch (12 mm) and under, check out the CopperPlus electrode (part number 220777).  
<sup>2</sup>Consumable available in bulk packaging. See order information below.



Minimum order quantity		1	1	5	5	1
Consumable type	Torch type	Shield/deflector	Retaining cap	Nozzle	Electrode	Swirl ring
Mechanized (15–45 A)	Machine	220817 <sup>2</sup> or 220955 <sup>3</sup>	220854 or 220953 ohmic	220941 <sup>2</sup> (45 A)	220842 <sup>2</sup> or 220777 <sup>1,2</sup>	220857
Quantity in kit		2	1	7	4	3
Essential cutting kit – 851511 or 851512 (ohmic) (15–45 A)	Machine	220817	220955	220941	220842	220777



<sup>1</sup>For longer consumable life when cutting metal 1/2 inch (12 mm) and under, check out the CopperPlus electrode (part number 220777).  
<sup>2</sup>Consumable available in bulk packaging. See order information below.  
<sup>3</sup>Deflector for unshielded cutting.



Minimum order quantity		1	1	5	5	1
Consumable type	Torch type	Shield/deflector	Retaining cap	Nozzle	Electrode	Swirl ring
Max control gouging <sup>3</sup> (26–45 A)	Hand/Machine	420480	220854	420419 <sup>2</sup>	220842 <sup>2</sup>	220857
Precision gouging (10–25 A)	Hand	420414	220854	420415	220842	220857
Marking (10–25 A)	Hand/Machine	420542	220854 or 220953 ohmic	420415	220842	220857

Precision gouging is a low amperage process ideal for spot weld removal.



Minimum order quantity		1	1	5	5	1
Consumable type	Torch type	Shield/deflector	Retaining cap	Nozzle	Electrode	Swirl ring
FineCut® (30–45 A)	Hand	220931	220854 or 220953 (ohmic)	220930 <sup>2</sup>	220842 <sup>2</sup>	220947
	Machine	220955 or 220948 (ohmic)				

<sup>2</sup>Consumable available in bulk packaging. See order information below.



Minimum order quantity		1	1	1	1	
Consumable type	Torch type	Retaining cap	Nozzle	Electrode	Swirl ring	
HyAccess drag-cutting (15–45 A)	Hand	420413	420410	420408	220857	
HyAccess gouging (15–45 A)			420412			
Quantity in kit		1	1	1	2	1
HyAccess kit – 428414 (15–45 A)	Hand	420413	420410 (cutting)	420412 (gouging)	420408	220857
		HyAccess cutting only starter pack – 428445 <sup>5</sup> HyAccess gouging only starter pack – 428446 <sup>6</sup>				

<sup>5</sup>Starter pack contains 1 retaining cap (420413), 1 cutting nozzle (420410) and 1 electrode (420408)

<sup>6</sup>Starter pack contains 1 retaining cap (420413), 1 gouging nozzle (420412) and 1 electrode (420408)



Minimum order quantity		1	1	1	5	1
Consumable type	Torch type	Retaining ring	Retaining cap	Nozzle/shield assembly	Electrode	Swirl ring
FlushCut (30–45 A) <sup>7</sup>	Hand/Machine	420540	420536	420633	420635	420634
Quantity in kit		1	1	1	1	1
FlushCut kit – 428746 (30–45 A)	Hand/Machine	420540	420536	420633	420635	420634

<sup>7</sup>Not for use with Duramax retrofit torches

### Duramax® consumable bulk kits

Order quantity	25	25	25	25	10	10
Bulk kit part number	228934	228767	228761	228765	228763	228764
Contents	220777 electrode	220842 electrode	220930 nozzle	220941 nozzle	220817 shield	220818 shield



See pages 64–65 for current system part number information.

# Duramax® Lock 75° hand torch parts

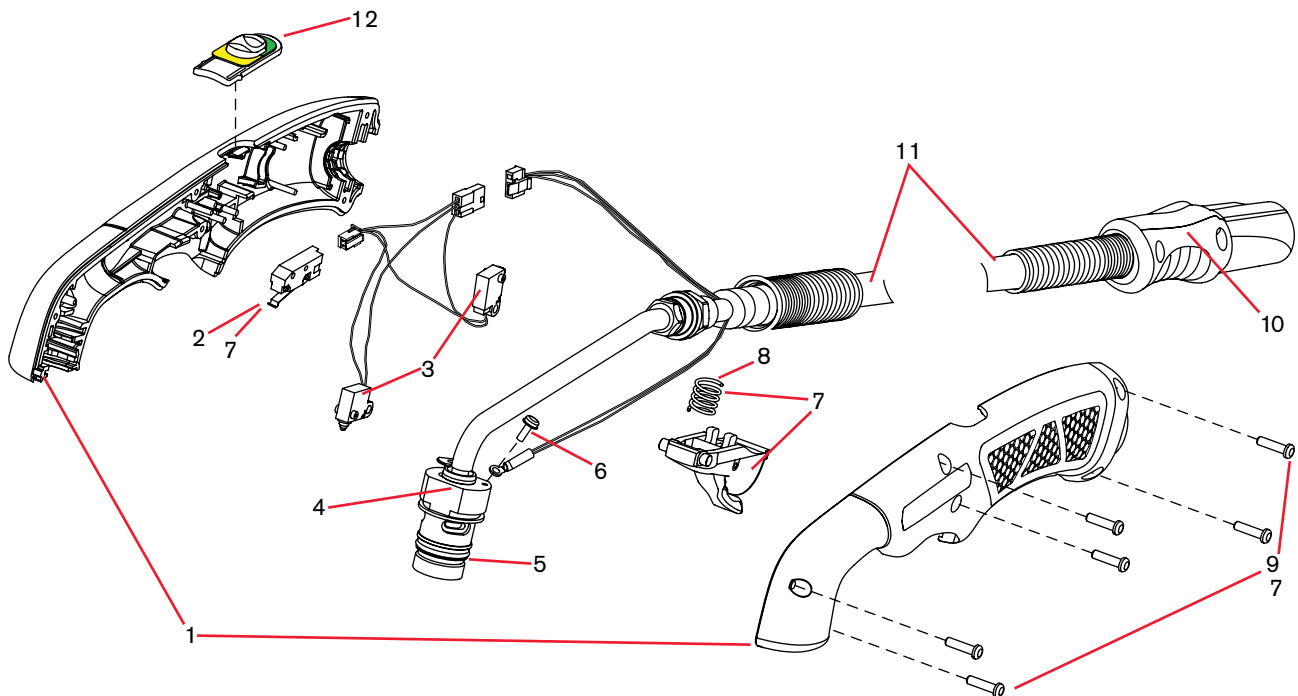
For use with the Powermax45® XP



## Duramax 75° hand torch assembly

Item	Kit/Part number	Description
	088164	Duramax 75° hand torch assembly with 6.1 m (20 foot) lead
	088165	Duramax 75° hand torch assembly with 15 m (50 foot) lead
1	428590	Kit: 75° hand torch handle (with screws)
2	428162	Kit: Hand torch start switch
3	428594	Kit: Cap-sensor switch/torch-disable switch assembly for hand torch (includes wires and connectors)
4	428588	Kit: 75° hand torch main body (with O-ring)
5	428180	Kit: Replacement O-rings for torch body
6	075504	Pilot terminal screw
7	428156	Kit: Hand torch trigger and spring – includes start switch and screws for torch handle
8	428182	Kit: Replacement springs for hand torch trigger
9	428148	Kit: Replacement screws for torch handle
10	228314	Kit: Torch quick-disconnect repair (shell with button – does not include torch lead)
11	428592	Kit: Hand torch lead replacement, 6.1 m (20 foot)
11	428593	Kit: Hand torch lead replacement, 15 m (50 foot)
12	428595	Kit: Torch-disable slider for hand torch (with yellow/green label)

The torch assembly does not include consumables.



See pages 64–65 for current system part number information.

# Duramax® Lock 15° hand torch parts

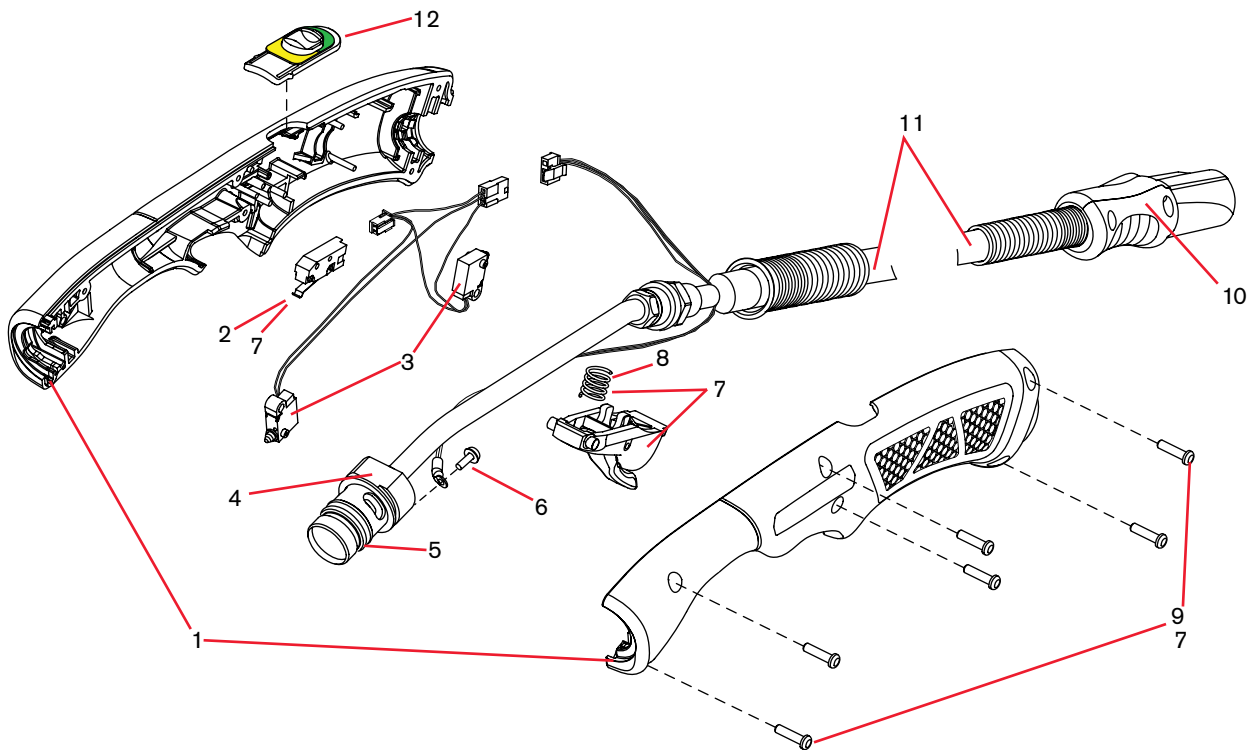
For use with the Powermax45® XP



## Duramax 15° hand torch assembly

Item	Kit/Part number	Description
	088162 <sup>1</sup>	Duramax 15° hand torch assembly with 6.1 m (20 foot) lead
	088163 <sup>1</sup>	Duramax 15° hand torch assembly with 15 m (50 foot) lead
1	428591	Kit: 15° hand torch handle (with screws)
2	428162	Kit: Hand torch start switch
3	428594	Kit: Cap-sensor switch/torch-disable switch assembly for hand torch (includes wires and connectors)
4	428589	Kit: 15° hand torch main body (with O-ring)
5	428180	Kit: Replacement O-rings for torch body
6	075504	Pilot terminal screw
7	428156	Kit: Hand torch trigger and spring – includes start switch and screws for torch handle
8	428182	Kit: Replacement springs for hand torch trigger
9	428148	Kit: Replacement screws for torch handle
10	228314	Kit: Torch quick-disconnect repair (shell with button – does not include torch lead)
11	428592	Kit: Hand torch lead replacement, 6.1 m (20 foot)
11	428593	Kit: Hand torch lead replacement, 15 m (50 foot)
12	428595	Kit: Torch-disable slider for hand torch (with yellow/green label)

<sup>1</sup>The torch assembly does not include consumables.



See pages 64–65 for current system part number information.

# Duramax® Lock 180° machine torch parts

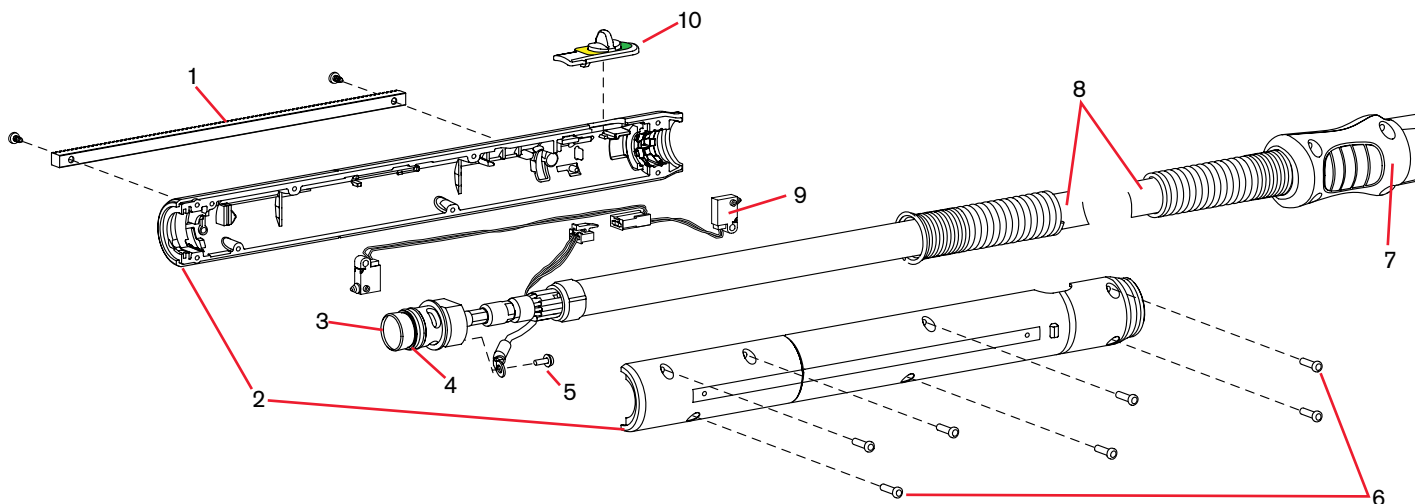
For use with the Powermax45® XP



## Duramax 180° machine torch assembly

Item	Kit/Part number	Description
	088167*	Kit: Machine torch assembly with 7.6 m (25 foot) lead
	088168*	Kit: Machine torch assembly with 10.7 m (35 foot) lead
	088169*	Kit: Machine torch assembly with 15 m (50 foot) lead
1	428703	Kit: Removable 32-pitch gear rack (with screws)
2	428596	Kit: Machine torch shell (with screws)
3	428704	Kit: Torch main body replacement for machine torch
4	428180	Kit: Replacement O-rings for torch body
5	075504	Pilot terminal screw
6	428148	Kit: Replacement screws for torch shell
7	428260	Kit: Torch quick-disconnect repair (shell with button – does not include torch lead)
8	428699	Kit: Machine torch lead replacement, 7.6 m (25 foot)
8	428710	Kit: Machine torch lead replacement, 10.7 m (35 foot)
8	428700	Kit: Machine torch lead replacement, 15 m (50 foot)
9	428705	Kit: Cap-sensor switch/torch-disable switch assembly for machine torch (includes wires and connector)
10	428706	Kit: Torch-disable slider for machine torch (with yellow/green label)

\*The torch assembly does not include consumables.



See pages 64–65 for current system part number information.



# Duramax® 180° mini machine torch parts

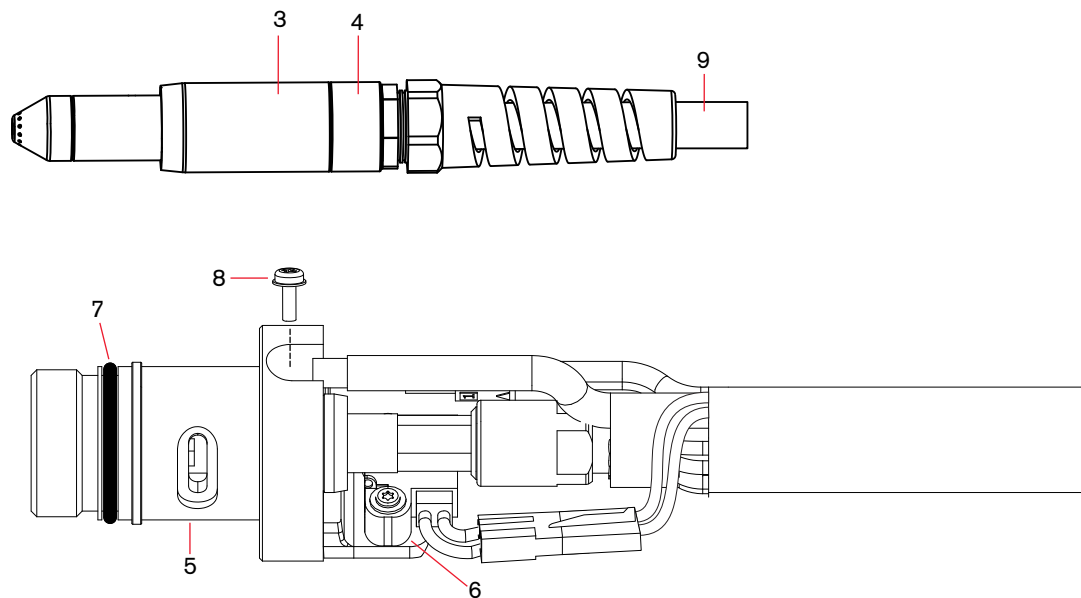
For use with the Powermax45® XP



## Duramax 180° mini torch assembly

Item	Kit/Part number	Description
	059481	Duramax 180° mini machine torch assembly with 4.5 m (15') lead
	059482	Duramax 180° mini machine torch assembly with 7.6 m (25') lead
	059483	Duramax 180° mini machine torch assembly with 10.7 m (35') lead
	059484	Duramax 180° mini machine torch assembly with 15.2 m (50') lead
3	220956	Kit: Duramax 180°/Duramax 180° mini torch front mounting sleeve
4	228736	Kit: Duramax 180°/Duramax 180° mini torch adapter ring (coupler)
5	228716	Kit: Duramax 180°/Duramax 180° mini torch main body replacement
6	228720	Kit: Cap-sensor switch replacement
7	058519	O-ring
8	075504	Pilot terminal screw
9	228730	Kit: Duramax 180°/Duramax 180° mini torch lead replacement, 4.5 m (15')
9	228731	Kit: Duramax 180°/Duramax 180° mini torch lead replacement, 7.6 m (25')
9	228732	Kit: Duramax 180°/Duramax 180° mini torch lead replacement, 10.7 m (35')
9	228733	Kit: Duramax 180°/Duramax 180° mini torch lead replacement, 15.2 m (50')
9	228734	Kit: Duramax 180°/Duramax 180° mini torch lead replacement, 22.8 m (75')
	128650	Remote start pendant for machine torch, 7.6 m (25')
	128651	Remote start pendant for machine torch, 15.2 m (50')
	128652	Remote start pendant for machine torch, 22.8 m (75')
	223125	Kit: 65 A Work lead with hand clamp, 7.6 m (25')

\*Other work lead options available.



See pages 64-65 for current system part number information.

# Duramax® 180° robotic torch parts

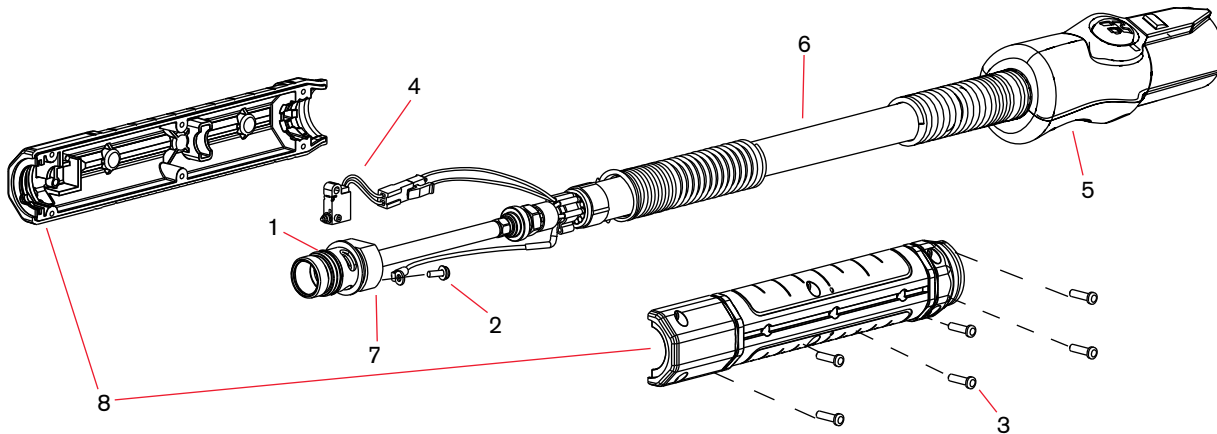
For use with the Powermax45® XP



## Duramax 180° robotic torch assembly

The entire Duramax 180° robotic torch assembly with leads can be replaced, or individual component parts can be replaced.

Item	Kit/Part number	Description
	059466	Duramax 180° robotic torch assembly with 7.6 m (25') lead
	059587	Duramax 180° robotic torch assembly with 15.2 m (50') lead
1	058519	O-ring
2	075504	Pilot terminal screw
3	075714	#4 x 1/2 slotted TORX pan head screws
4	228109	Kit: Cap-sensor switch replacement
5	428260	Kit: FastConnect replacement
6	228852	Kit: Robotic torch lead replacement, 7.6 m (25')
7	228853	Kit: 180° Robotic torch main body replacement
8	228856	Kit: 180° Robotic torch positioning barrel replacement
	228806	Kit: Robotic torch clamp assembly



# Duramax® 90° robotic torch parts

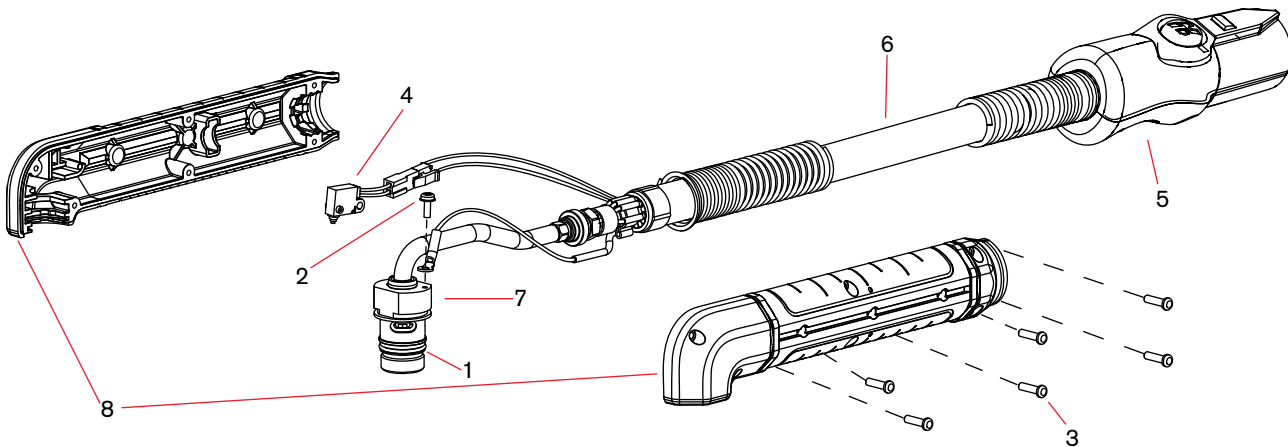
For use with the Powermax45® XP



## Duramax 90° robotic torch assembly

The entire Duramax 90° robotic torch assembly with leads can be replaced, or individual component parts can be replaced.

Item	Kit/Part number	Description
	059465	Duramax 90° robotic torch assembly with 7.6 m (25') lead
	059586	Duramax 90° robotic torch assembly with 15.2 m (50') lead
1	058519	O-ring
2	075504	Pilot terminal screw
3	075714	#4 x 1/2 slotted TORX pan head screws
4	228109	Kit: Cap-sensor switch replacement
5	428260	Kit: FastConnect replacement
6	228852	Kit: Robotic torch lead replacement, 7.6 m (25')
7	228854	Kit: 90° Robotic torch main body replacement
8	228857	Kit: 90° Robotic torch positioning barrel replacement
	228806	Kit: Robotic torch clamp assembly



See pages 64-65 for current system part number information.

# Duramax® 45° robotic torch parts

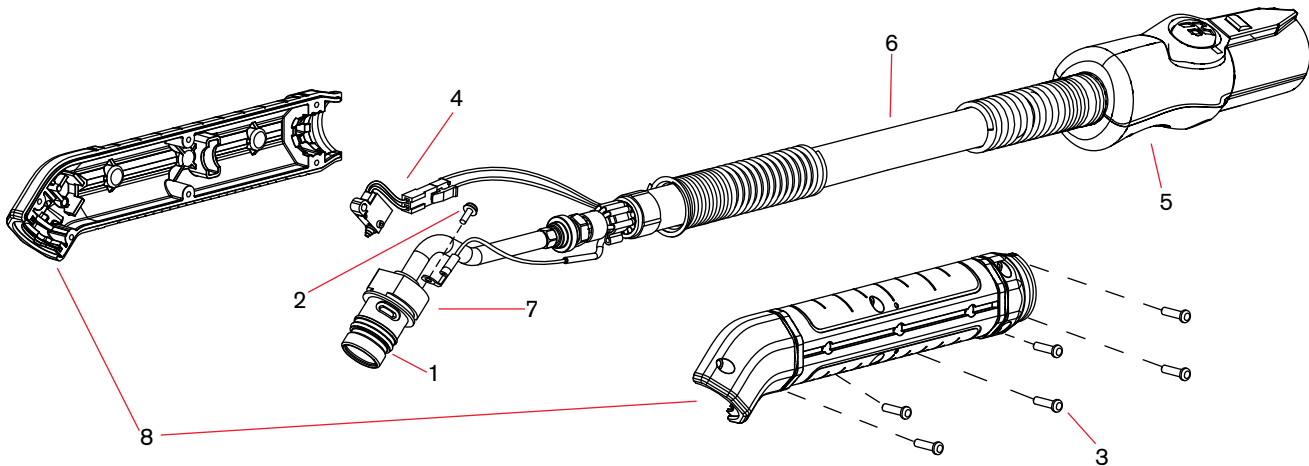
For use with the Powermax45® XP



## Duramax 45° robotic torch assembly

The entire Duramax 45° robotic torch assembly with leads can be replaced, or individual component parts can be replaced.

Item	Kit/Part number	Description
	059464	Duramax 45° robotic torch assembly with 7.6 m (25') lead
	059585	Duramax 45° robotic torch assembly with 15.2 m (50') lead
1	058519	O-ring
2	075504	Pilot terminal screw
3	075714	#4 x 1/2 slotted TORX pan head screws
4	228109	Kit: Cap-sensor switch replacement
5	428260	Kit: FastConnect replacement
6	228852	Kit: Robotic torch lead replacement, 7.6 m (25')
7	228855	Kit: 45° Robotic torch main body replacement
8	228858	Kit: 45° Robotic torch positioning barrel replacement
	228806	Kit: Robotic torch clamp assembly





Hypertherm

  
Powermax 45 XP

# Powermax65®

## Duramax® hand/machine torch consumables



Minimum order quantity		1	1	5	5	1
Consumable type	Torch type	Shield/deflector	Retaining cap	Nozzle	Electrode	Swirl ring
Drag-cutting (30–65 A)	Hand	220818 <sup>2</sup>	220854	220941 <sup>2</sup> (45 A)	220842 <sup>2</sup> or 220777 <sup>1,2</sup>	220857
				220819 <sup>2</sup> (65 A)		
Quantity in kit		2	1	7	7	1
Essential cutting kit – 851465 (30–65 A)	Hand	220818	220854	220819	220842	220857



<sup>1</sup>For longer consumable life when cutting metal 1/2 inch (12 mm) and under, check out the CopperPlus electrode (part number 220777).

<sup>2</sup>Consumable available in bulk packaging. See order information below.



Minimum order quantity		1	1	5	5	1		
Consumable type	Torch type	Shield/deflector	Retaining cap	Nozzle	Electrode	Swirl ring		
Mechanized (30–65 A)	Machine	220817 <sup>2</sup> or 220955 <sup>3</sup>	220854 or 220953 ohmic	220941 <sup>2</sup> (45 A)	220842 <sup>2</sup> or 220777 <sup>1,2</sup>	220857		
				220819 <sup>2</sup> (65 A)				
Quantity in kit		2	1	7	4	3		
Essential cutting kit – 851466 or 851467 (ohmic) (30–65 A)	Machine	220817 (Shield)	220955 (Deflector)	220854 or 220953 ohmic	220819 <sup>2</sup>	220842 (Cutting)	220777 (CopperPlus)	220857



<sup>1</sup>For longer consumable life when cutting metal 1/2 inch (12 mm) and under, check out the CopperPlus electrode (part number 220777).

<sup>2</sup>Consumable available in bulk packaging. See order information below.

<sup>3</sup>Deflector for unshielded cutting.



Minimum order quantity		1	1	5	5	1
Consumable type	Torch type	Shield/deflector	Retaining cap	Nozzle	Electrode	Swirl ring
Max removal gouging <sup>3</sup> (45–65 A)	Hand/Machine	220798	220854	220797 <sup>2</sup>	220842 <sup>2</sup>	220857
Max control gouging <sup>4</sup> (45–65 A)	Hand/Machine	420480	220854	220797 <sup>2</sup>	220842 <sup>2</sup>	220857

<sup>2</sup>Consumable available in bulk packaging. See order information below.

<sup>3</sup>The Max removal gouging shield is designed for aggressive metal removal, deep gouge profiles and extreme metal washing.

<sup>4</sup>The Max control gouging shield is designed for more precise metal removal, shallower gouge profiles and light metal washing.



Minimum order quantity		1	1	5	5	1
Consumable type	Torch type	Shield/deflector	Retaining cap	Nozzle	Electrode	Swirl ring
FineCut® (30–45 A)	Hand	220931	220854 or 220953 (ohmic)	220930 <sup>2</sup>	220842 <sup>2</sup>	220947
	Machine	220955 or 220948 (ohmic)				

<sup>2</sup>Consumable available in bulk packaging. See order information below.



Minimum order quantity		1	1	1	1	
Consumable type	Torch type	Retaining cap	Nozzle	Electrode	Swirl ring	
HyAccess drag-cutting (30–65 A)	Hand	420413	420410	420408	220857	
HyAccess gouging (30–65 A)			420412			
Quantity in kit		1	1	1	2	1
HyAccess kit – 428414 (30–65 A)	Hand	420413	420410 (cutting)	420412 (gouging)	420408	220857
		HyAccess cutting only starter pack – 428445 <sup>5</sup>				
		HyAccess gouging only starter pack – 428446 <sup>6</sup>				



<sup>5</sup>Starter pack contains 1 retaining cap (420413), 1 cutting nozzle (420410) and 1 electrode (420408)

<sup>6</sup>Starter pack contains 1 retaining cap (420413), 1 gouging nozzle (420412) and 1 electrode (420408)



Minimum order quantity		1	1	1	5	1
Consumable type	Torch type	Retaining ring	Retaining cap	Nozzle/shield assembly	Electrode	Swirl ring
FlushCut (30–45 A) <sup>7</sup>	Hand/Machine	420540	420536	420633	420635	420634
Quantity in kit		1	1	1	1	1
FlushCut kit – 428746 (30–45 A)	Hand/Machine	420540	420536	420633	420635	420634

<sup>7</sup>Using the 45 amp FlushCut consumables on the Powermax65 above 45 amps will cause premature consumable damage

### Duramax® consumable bulk kits

Order quantity	25	25	25	25	25	25	10	10
Bulk kit part number	228934	228767	228761	228762	228765	228759	228763	228764
Contents	220777 electrode	220842 electrode	220930 nozzle	220797 nozzle	220941 nozzle	220819 nozzle	220817 shield	220818 shield



See pages 64–65 for current system part number information.

# Duramax® 75° hand torch parts

For use with the Powermax65®

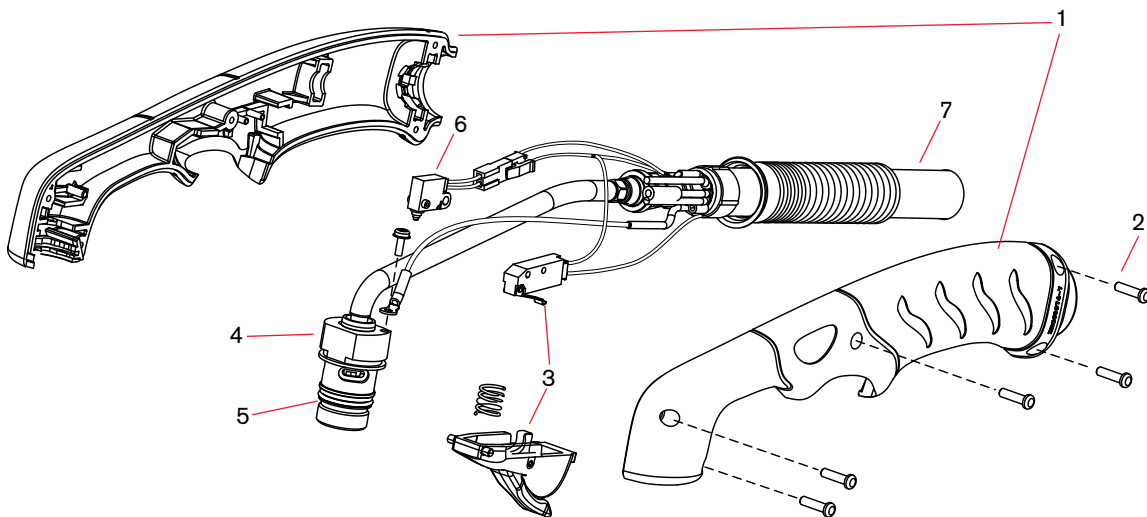


## Duramax 75° hand torch assembly

Item	Kit/Part number	Description
	059473	Duramax 75° hand torch assembly with 7.6 m (25') lead
	059474	Duramax 75° hand torch assembly with 15.2 m (50') lead
	059475	Duramax 75° hand torch assembly with 22.8 m (75') lead
1	228954	Kit: Duramax 75°/HRT Torch handle replacement
2	075714 <sup>1</sup>	Handle screws, #4 x 1/2 slotted TORX pan head, S/B
3	228721	Kit: Duramax 75°/Duramax 15°/HRT/HRTs (spring and trigger assembly)
4	228714*	Kit: Duramax 75° Torch main body replacement (3/8" coupler)
4	228958*	Kit: Duramax 75° Torch main body replacement (1/2" coupler)
5	058519	O-ring
6	228719	Kit: Duramax 75° Cap-sensor switch replacement
7	228959 <sup>1</sup>	Kit: Duramax 75° Torch lead replacement, 7.6 m (25')
7	228960 <sup>1</sup>	Kit: Duramax 75° Torch lead replacement, 15.2 m (50')
7	228961	Kit: Duramax 75° Torch lead replacement, 22.8 m (75')
	223125 <sup>2</sup>	Kit: 65 A Work lead with hand clamp, 7.6 m (25')

<sup>1</sup>Before ordering these parts verify the date the torch was built.

<sup>2</sup>Other work lead options available.



See pages 64-65 for current system part number information.



# Duramax® 15° hand torch parts

For use with the Powermax65®

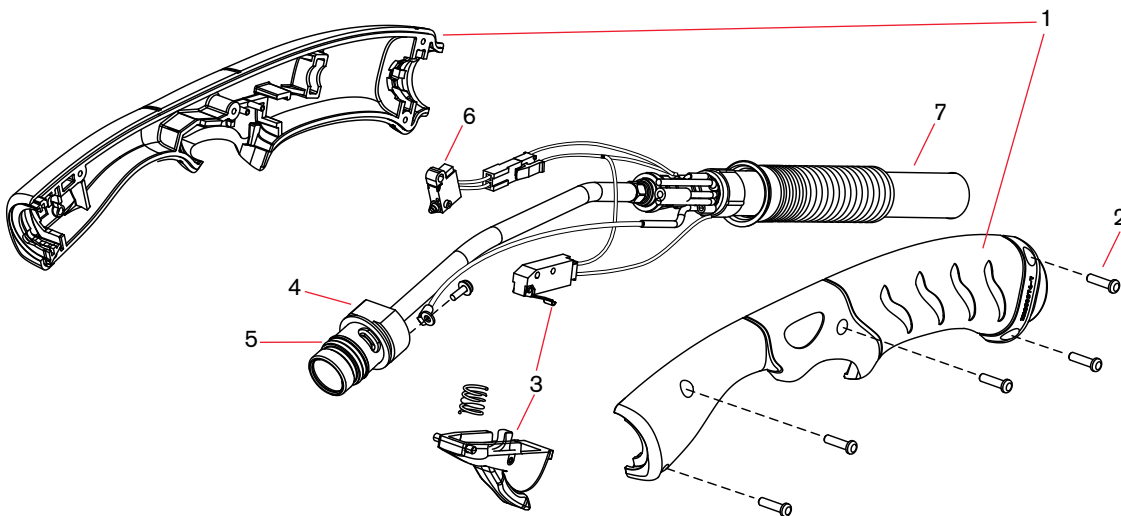


## Duramax 15° hand torch assembly

Item	Kit/Part number	Description
	059470	Duramax 15° hand torch assembly with 7.6 m (25') lead
	059471	Duramax 15° hand torch assembly with 15.2 m (50') lead
	059472	Duramax 15° hand torch assembly with 22.8 m (75') lead
1	228955	Kit: Duramax 15° Torch handle replacement
2	075714 <sup>1</sup>	Handle screws, #4 x 1/2 slotted TORX pan head, S/B
3	228721	Kit: Duramax 15°/Duramax 75°/HRT/HRTs (spring and trigger assembly)
4	228715 <sup>1</sup>	Kit: Duramax 15° Torch main body replacement (3/8" coupler)
4	228957 <sup>1</sup>	Kit: Duramax 15° Torch main body replacement (1/2" coupler)
5	058519	O-ring
6	228109	Kit: Duramax 15° Cap-sensor switch replacement
7	228959 <sup>1</sup>	Kit: Duramax 15° Torch lead replacement, 7.6 m (25')
7	228960 <sup>1</sup>	Kit: Duramax 15° Torch lead replacement, 15.2 m (50')
7	228961	Kit: Duramax 15° Torch lead replacement, 22.8 m (75')
	223125 <sup>2</sup>	Kit: 65 A Work lead with hand clamp, 7.6 m (25')

<sup>1</sup>Before ordering these parts verify the date the torch was built.

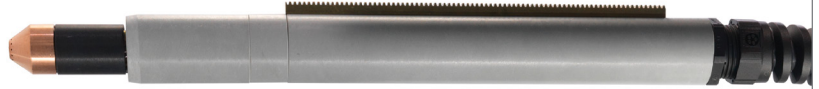
<sup>2</sup>Other work lead options available.



See pages 64–65 for current system part number information.

# Duramax<sup>®</sup> 180° machine torch parts

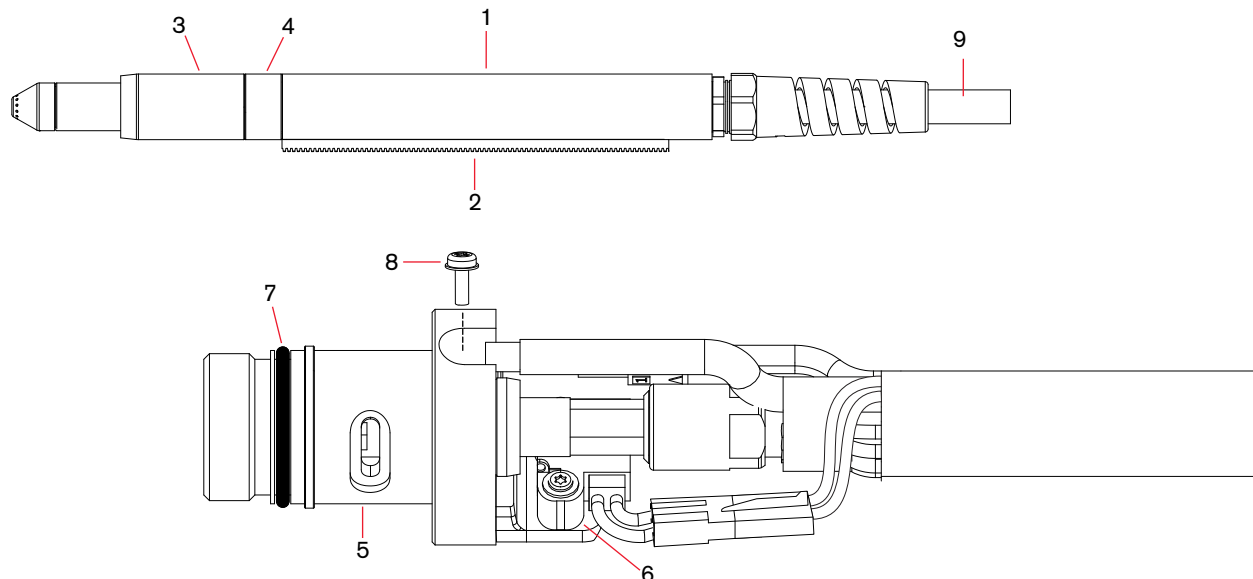
For use with the Powermax65<sup>®</sup>



## Duramax 180° machine torch assembly

Item	Kit/Part number	Description
	059476	Duramax 180° machine torch assembly with 4.5 m (15') lead
	059477	Duramax 180° machine torch assembly with 7.6 m (25') lead
	059478	Duramax 180° machine torch assembly with 10.7 m (35') lead
	059479	Duramax 180° machine torch assembly with 15.2 m (50') lead
	059480	Duramax 180° machine torch assembly with 22.8 m (75') lead
1	228737	Kit: Duramax 180° positioning sleeve
2	228738	Kit: Duramax 180° removable gear rack
3	228735	Kit: Duramax 180°/Duramax 180° torch front mounting sleeve
4	228736	Kit: Duramax 180°/Duramax 180° torch adapter ring (coupler)
5	228716	Kit: Duramax 180°/Duramax 180° torch main body replacement
6	228720	Kit: Cap-sensor switch replacement
7	058519	O-ring
8	075504	Pilot terminal screw
9	228730	Kit: Duramax 180°/Duramax 180° torch lead replacement, 4.5 m (15')
9	228731	Kit: Duramax 180°/Duramax 180° torch lead replacement, 7.6 m (25')
9	228732	Kit: Duramax 180°/Duramax 180° torch lead replacement, 10.7 m (35')
9	228733	Kit: Duramax 180°/Duramax 180° torch lead replacement, 15.2 m (50')
9	228734	Kit: Duramax 180°/Duramax 180° torch lead replacement, 22.8 m (75')
	128650	Remote start pendant for machine torch, 7.6 m (25')
	128651	Remote start pendant for machine torch, 15.2 m (50')
	128652	Remote start pendant for machine torch, 22.8 m (75')
	223125 <sup>1</sup>	Kit: 65 A Work lead with hand clamp, 7.6 m (25')

<sup>1</sup>Other work lead options available.



See pages 64–65 for current system part number information.

# Duramax® 180° mini machine torch parts

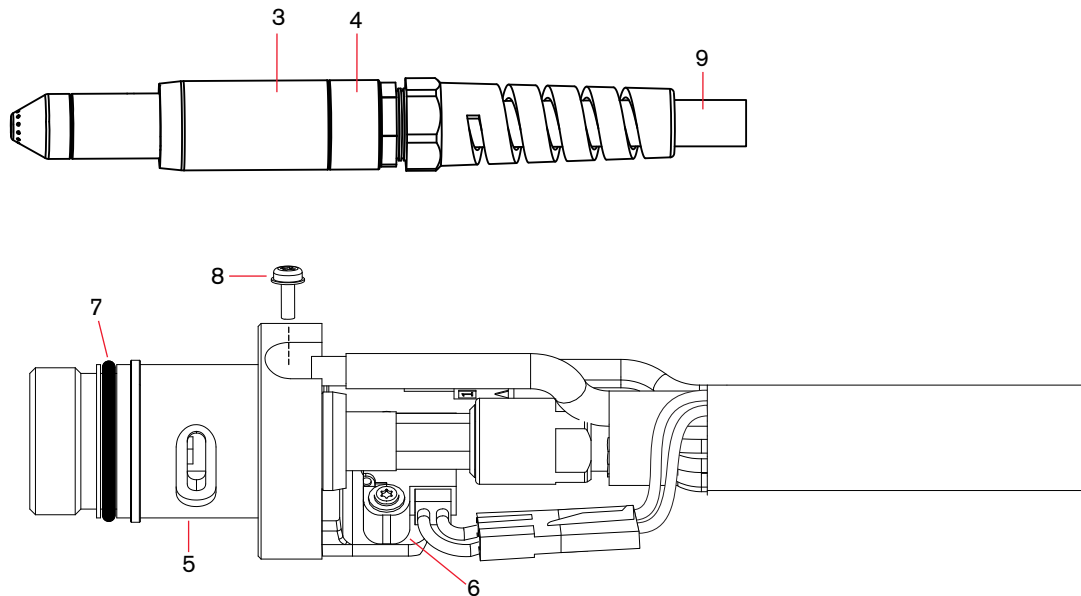
For use with the Powermax65®



## Duramax 180° mini torch assembly

Item	Kit/Part number	Description
	059481	Duramax 180° mini machine torch assembly with 4.5 m (15') lead
	059482	Duramax 180° mini machine torch assembly with 7.6 m (25') lead
	059483	Duramax 180° mini machine torch assembly with 10.7 m (35') lead
	059484	Duramax 180° mini machine torch assembly with 15.2 m (50') lead
3	220956	Kit: Duramax 180°/Duramax 180° mini torch front mounting sleeve
4	228736	Kit: Duramax 180°/Duramax 180° mini torch adapter ring (coupler)
5	228716	Kit: Duramax 180°/Duramax 180° mini torch main body replacement
6	228720	Kit: Cap-sensor switch replacement
7	058519	O-ring
8	075504	Pilot terminal screw
9	228730	Kit: Duramax 180°/Duramax 180° mini torch lead replacement, 4.5 m (15')
9	228731	Kit: Duramax 180°/Duramax 180° mini torch lead replacement, 7.6 m (25')
9	228732	Kit: Duramax 180°/Duramax 180° mini torch lead replacement, 10.7 m (35')
9	228733	Kit: Duramax 180°/Duramax 180° mini torch lead replacement, 15.2 m (50')
9	228734	Kit: Duramax 180°/Duramax 180° mini torch lead replacement, 22.8 m (75')
	128650	Remote start pendant for machine torch, 7.6 m (25')
	128651	Remote start pendant for machine torch, 15.2 m (50')
	128652	Remote start pendant for machine torch, 22.8 m (75')
	223125 <sup>1</sup>	Kit: 65 A Work lead with hand clamp, 7.6 m (25')

<sup>1</sup>Other work lead options available.



See pages 64–65 for current system part number information.

# Duramax® 180° robotic torch parts

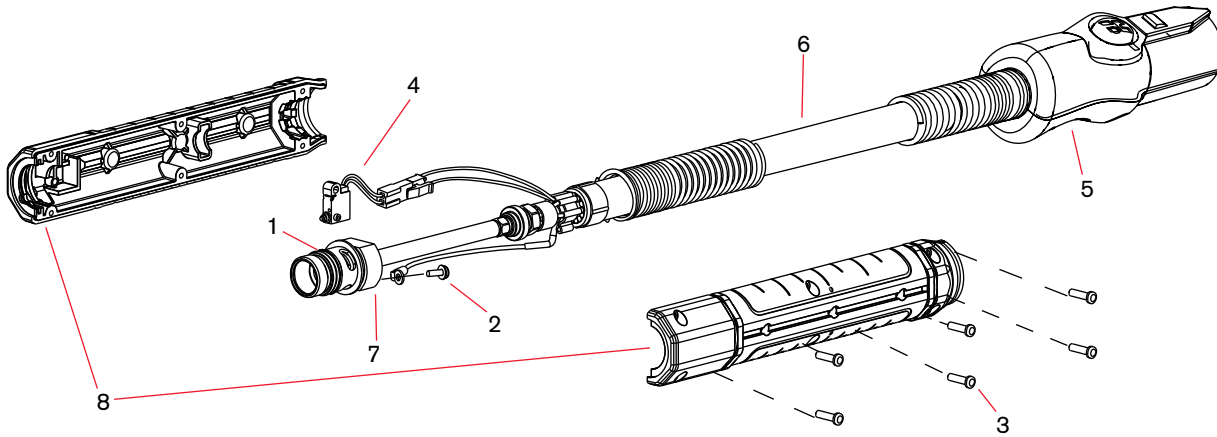
For use with the Powermax65®



## Duramax 180° robotic torch assembly

The entire Duramax 180° robotic torch assembly with leads can be replaced, or individual component parts can be replaced.

Item	Kit/Part number	Description
	059466	Duramax 180° robotic torch assembly with 7.6 m (25') lead
	059587	Duramax 180° robotic torch assembly with 15.2 m (50') lead
1	058519	O-ring
2	075504	Pilot terminal screw
3	075714	#4 x 1/2 slotted TORX pan head screws
4	228109	Kit: Cap-sensor switch replacement
5	428260	Kit: FastConnect replacement
6	228852	Kit: Robotic torch lead replacement, 7.6 m (25')
7	228853	Kit: 180° Robotic torch main body replacement
8	228856	Kit: 180° Robotic torch positioning barrel replacement
	228806	Kit: Robotic torch clamp assembly



# Duramax® 90° robotic torch parts

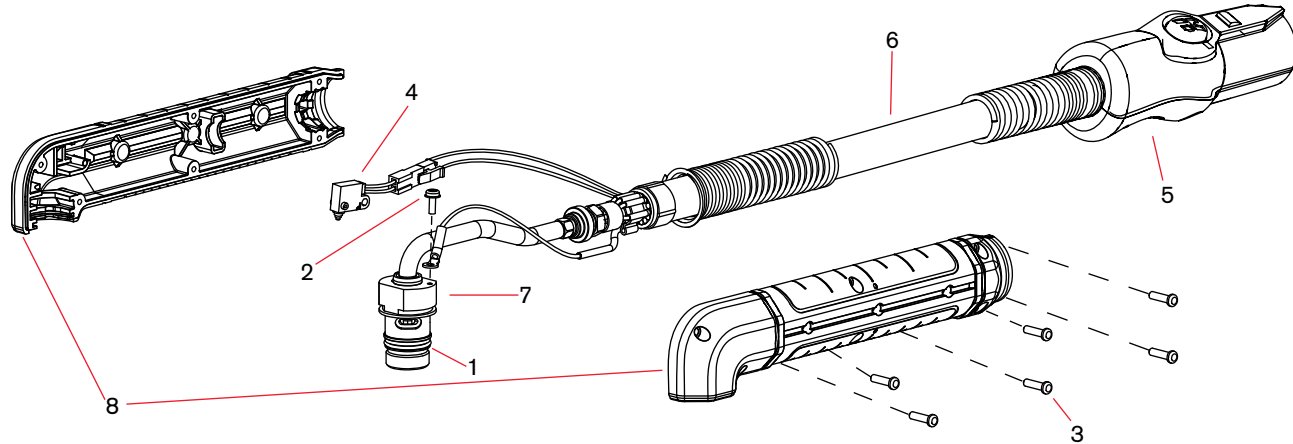
For use with the Powermax65®



## Duramax 90° robotic torch assembly

The entire Duramax 90° robotic torch assembly with leads can be replaced, or individual component parts can be replaced.

Item	Kit/Part number	Description
	059465	Duramax 90° robotic torch assembly with 7.6 m (25') lead
	059586	Duramax 90° robotic torch assembly with 15.2 m (50') lead
1	058519	O-ring
2	075504	Pilot terminal screw
3	075714	#4 x 1/2 slotted TORX pan head screws
4	228109	Kit: Cap-sensor switch replacement
5	428260	Kit: FastConnect replacement
6	228852	Kit: Robotic torch lead replacement, 7.6 m (25')
7	228854	Kit: 90° Robotic torch main body replacement
8	228857	Kit: 90° Robotic torch positioning barrel replacement
	228806	Kit: Robotic torch clamp assembly



See pages 64-65 for current system part number information.

# Duramax® 45° robotic torch parts

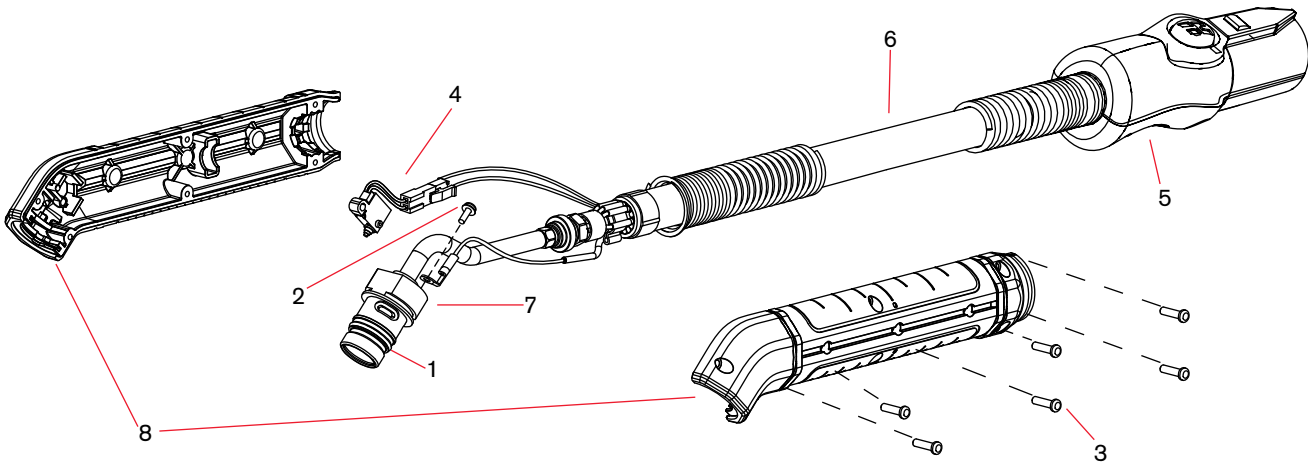
For use with the Powermax65®



## Duramax 45° robotic torch assembly

The entire Duramax 45° robotic torch assembly with leads can be replaced, or individual component parts can be replaced.

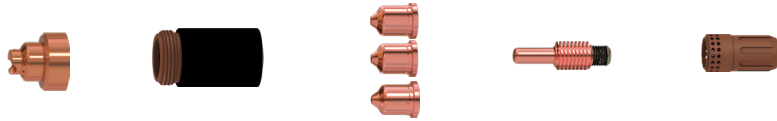
Item	Kit/Part number	Description
	059464	Duramax 45° robotic torch assembly with 7.6 m (25') lead
	059585	Duramax 45° robotic torch assembly with 15.2 m (50') lead
1	058519	O-ring
2	075504	Pilot terminal screw
3	075714	#4 x 1/2 slotted TORX pan head screws
4	228109	Kit: Cap-sensor switch replacement
5	428260	Kit: FastConnect replacement
6	228852	Kit: Robotic torch lead replacement, 7.6 m (25')
7	228855	Kit: 45° Robotic torch main body replacement
8	228858	Kit: 45° Robotic torch positioning barrel replacement
	228806	Kit: Robotic torch clamp assembly





# Powermax85®

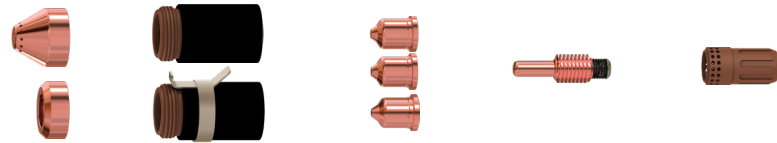
## Duramax® hand/machine torch consumables



Minimum order quantity		1	1	5	5	1
Consumable type	Torch type	Shield/deflector	Retaining cap	Nozzle	Electrode	Swirl ring
Drag-cutting (30–85 A)	Hand	220818 <sup>2</sup>	220854	220941 <sup>2</sup> (45 A)	220842 <sup>2</sup> or 220777 <sup>1,2</sup>	220857
				220819 <sup>2</sup> (65 A)		
				220816 <sup>2</sup> (85 A)		
Quantity in kit		2	1	7	7	1
Essential cutting kit – 851468 (30–85 A)	Hand	220818	220854	220816	220842	220857



<sup>1</sup>For longer consumable life when cutting metal 1/2 inch (12 mm) and under, check out the CopperPlus electrode (part number 220777).  
<sup>2</sup>Consumable available in bulk packaging. See order information below.



Minimum order quantity		1	1	5	5	1		
Consumable type	Torch type	Shield/deflector	Retaining cap	Nozzle	Electrode	Swirl ring		
Mechanized (30–85 A)	Machine	220817 <sup>2</sup> or 220955 <sup>3</sup>	220854 or 220953 ohmic	220941 <sup>2</sup> (45 A)	220842 <sup>2</sup> or 220777 <sup>1,2</sup>	220857		
				220819 <sup>2</sup> (65 A)				
				220816 <sup>2</sup> (85 A)				
Quantity in kit		2	1	7	4	3		
Essential cutting kit – 851469 or 851470 (ohmic) (30–85 A)	Machine	220817 (Shield)	220955 (Deflector)	220854 or 220953 ohmic	220816 <sup>2</sup>	220842 (Cutting)	220777 (CopperPlus)	220857



<sup>1</sup>For longer consumable life when cutting metal 1/2 inch (12 mm) and under, check out the CopperPlus electrode (part number 220777).  
<sup>2</sup>Consumable available in bulk packaging. See order information below.  
<sup>3</sup>Deflector for unshielded cutting.



Minimum order quantity		1	1	5	5	1
Consumable type	Torch type	Shield/deflector	Retaining cap	Nozzle	Electrode	Swirl ring
Max removal gouging <sup>4</sup> (45–85 A)	Hand/Machine	220798	220854	220797 <sup>2</sup>	220842 <sup>2</sup>	220857
Max control gouging <sup>5</sup> (45–85 A)	Hand/Machine	420480	220854	220797 <sup>2</sup>	220842 <sup>2</sup>	220857

<sup>2</sup>Consumable available in bulk packaging. See order information below.  
<sup>4</sup>The Max removal gouging shield is designed for aggressive metal removal, deep gouge profiles and extreme metal washing.  
<sup>5</sup>The Max control gouging shield is designed for more precise metal removal, shallower gouge profiles and light metal washing.





Minimum order quantity		1	1	5	5	1
Consumable type	Torch type	Shield/deflector	Retaining cap	Nozzle	Electrode	Swirl ring
FineCut® (30–45 A)	Hand	220931	220854 or 220953 (ohmic)	220930 <sup>2</sup>	220842 <sup>2</sup>	220947
	Machine	220955 or 220948 (ohmic)				

<sup>2</sup>Consumable available in bulk packaging. See order information below.



Minimum order quantity		1	1	1	1	1
Consumable type	Torch type	Retaining cap	Nozzle	Electrode	Swirl ring	
HyAccess drag-cutting (30–65 A)	Hand	420413	420410	420408	220857	
HyAccess gouging (30–65 A)			420412			
Quantity in kit		1	1	1	2	1
HyAccess kit – 428414 (30–65 A)	Hand	420413	420410 (cutting)	420412 (gouging)	420408	220857
		HyAccess cutting only starter pack – 428445 <sup>5</sup> HyAccess gouging only starter pack – 428446 <sup>7</sup>				

Warning: The Duramax HyAccess (65 amps and below) consumables should not be operated above 65 amps

<sup>5</sup>Starter pack contains 1 retaining cap (420413), 1 cutting nozzle (420410) and 1 electrode (420408)

<sup>7</sup>Starter pack contains 1 retaining cap (420413), 1 gouging nozzle (420412) and 1 electrode (420408)



Minimum order quantity		1	1	1	5	1
Consumable type	Torch type	Retaining ring	Retaining cap	Nozzle/shield assembly	Electrode	Swirl ring
FlushCut (30–45 A) <sup>1</sup>	Hand/Machine	420540	420536	420633	420635	420634
Quantity in kit		1	1	1	1	1
FlushCut kit – 428746 (30–45 A)	Hand/Machine	420540	420536	420633	420635	420634

<sup>1</sup>Using the 45 amp FlushCut consumables on the Powermax85 above 45 amps will cause premature consumable damage

### Duramax® consumable bulk kits

Order quantity	25	25	25	25	25	25	25	10	10
Bulk kit part number	228934	228767	228761	228762	228765	228759	228760	228763	228764
Contents	220777 electrode	220842 electrode	220930 nozzle	220797 nozzle	220941 nozzle	220819 nozzle	220816 nozzle	220817 shield	220818 shield



See pages 64–65 for current system part number information.

# Duramax® 75° hand torch parts

For use with the Powermax85®

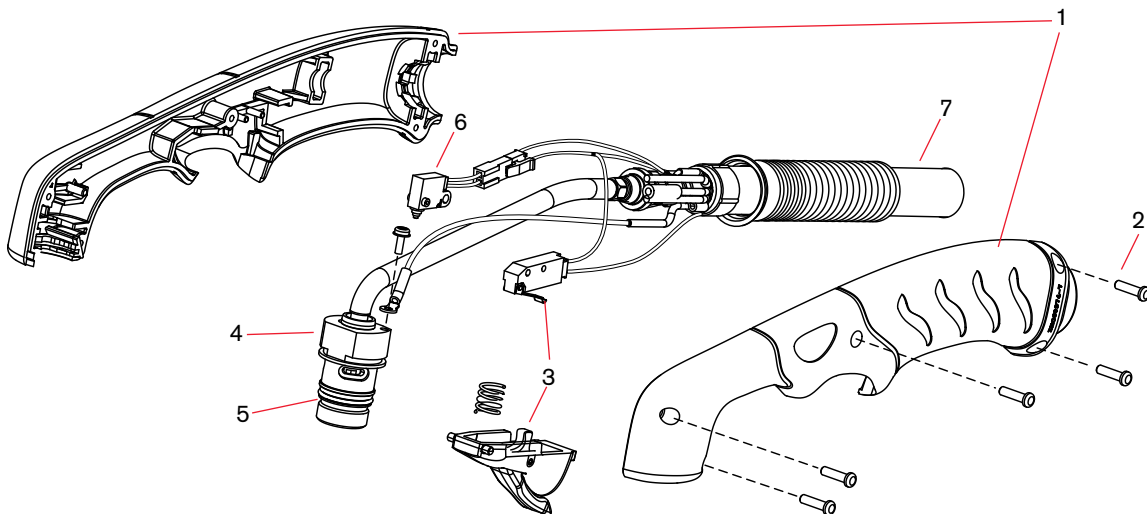


## Duramax 75° hand torch assembly

Item	Kit/Part number	Description
	059473	Duramax 75° hand torch assembly with 7.6 m (25') lead
	059474	Duramax 75° hand torch assembly with 15.2 m (50') lead
	059475	Duramax 75° hand torch assembly with 22.8 m (75') lead
1	228954	Kit: Duramax 75°/HRT Torch handle replacement
2	075714 <sup>1</sup>	Handle screws, #4 x 1/2 slotted TORX pan head, S/B
3	228721	Kit: Duramax 75°/Duramax 15°/HRT/HRTs (spring and trigger assembly)
4	228714 <sup>1</sup>	Kit: Duramax 75° Torch main body replacement (3/8" coupler)
4	228958 <sup>1</sup>	Kit: Duramax 75° Torch main body replacement (1/2" coupler)
5	058519	O-ring
6	228719	Kit: Duramax 75° Cap-sensor switch replacement
7	228959 <sup>1</sup>	Kit: Duramax 75° Torch lead replacement, 7.6 m (25')
7	228960 <sup>1</sup>	Kit: Duramax 75° Torch lead replacement, 15.2 m (50')
7	228961	Kit: Duramax 75° Torch lead replacement, 22.8 m (75')
	223035 <sup>2</sup>	Kit: 85 A Work lead with hand clamp, 7.6 m (25')

<sup>1</sup>Before ordering these parts verify the date the torch was built.

<sup>2</sup>Other work lead options available.



See pages 64-65 for current system part number information.

# Duramax® 15° hand torch parts

For use with the Powermax85®

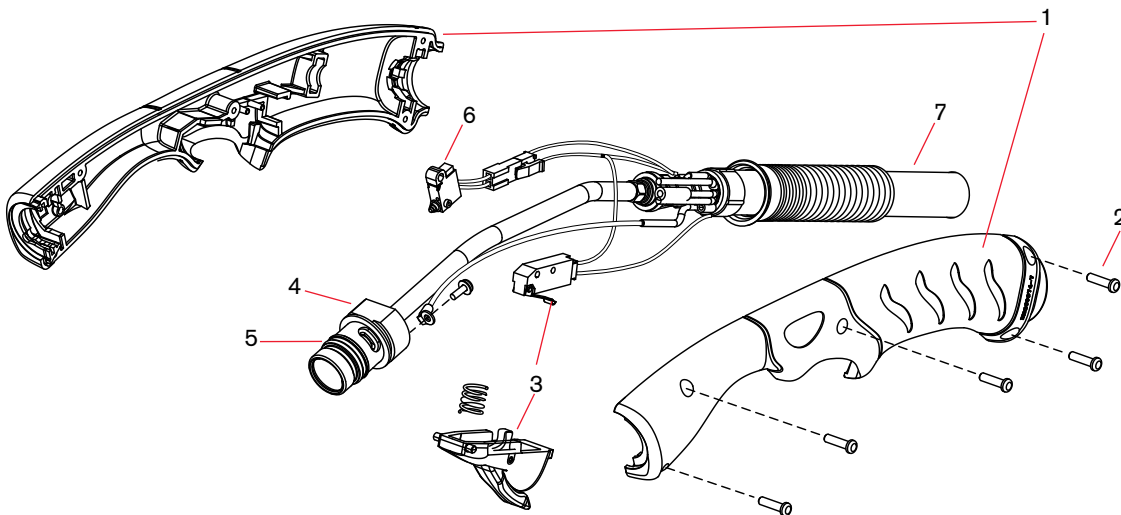


## Duramax 15° hand torch assembly

Item	Kit/Part number	Description
	059470	Duramax 15° hand torch assembly with 7.6 m (25') lead
	059471	Duramax 15° hand torch assembly with 15.2 m (50') lead
	059472	Duramax 15° hand torch assembly with 22.8 m (75') lead
1	228955	Kit: Duramax 15° Torch handle replacement
2	075714 <sup>1</sup>	Handle screws, #4 x 1/2 slotted TORX pan head, S/B
3	228721	Kit: Duramax 15°/Duramax 75°/HRT/HRTs (spring and trigger assembly)
4	228715 <sup>1</sup>	Kit: Duramax 15° Torch main body replacement (3/8" coupler)
4	228957 <sup>1</sup>	Kit: Duramax 15° Torch main body replacement (1/2" coupler)
5	058519	O-ring
6	228109	Kit: Duramax 15° Cap-sensor switch replacement
7	228959 <sup>1</sup>	Kit: Duramax 15° Torch lead replacement, 7.6 m (25')
7	228960 <sup>1</sup>	Kit: Duramax 15° Torch lead replacement, 15.2 m (50')
7	228961	Kit: Duramax 15° Torch lead replacement, 22.8 m (75')
	223035 <sup>2</sup>	Kit: 85 A Work lead with hand clamp, 7.6 m (25')

<sup>1</sup>Before ordering these parts verify the date the torch was built.

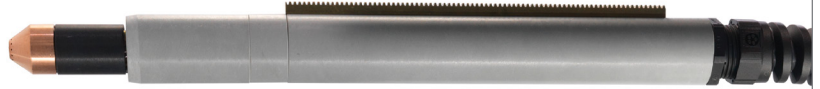
<sup>2</sup>Other work lead options available.



See pages 64–65 for current system part number information.

# Duramax<sup>®</sup> 180° machine torch parts

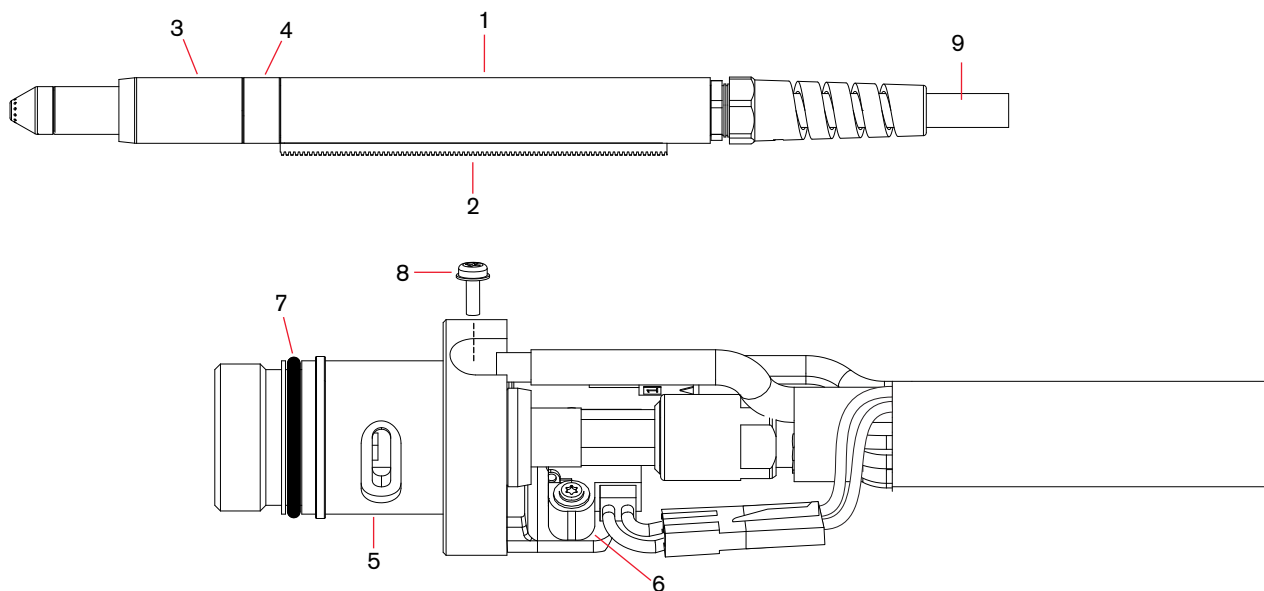
For use with the Powermax85<sup>®</sup>



## Duramax 180° machine torch assembly

Item	Kit/Part number	Description
	059476	Duramax 180° machine torch assembly with 4.5 m (15') lead
	059477	Duramax 180° machine torch assembly with 7.6 m (25') lead
	059478	Duramax 180° machine torch assembly with 10.7 m (35') lead
	059479	Duramax 180° machine torch assembly with 15.2 m (50') lead
	059480	Duramax 180° machine torch assembly with 22.8 m (75') lead
1	228737	Kit: Duramax 180° positioning sleeve
2	228738	Kit: Duramax 180° removable gear rack
3	228735	Kit: Duramax 180°/Duramax 180° torch front mounting sleeve
4	228736	Kit: Duramax 180°/Duramax 180° torch adapter ring (coupler)
5	228716	Kit: Duramax 180°/Duramax 180° torch main body replacement
6	228720	Kit: Cap-sensor switch replacement
7	058519	O-ring
8	075504	Pilot terminal screw
9	228730	Kit: Duramax 180°/Duramax 180° torch lead replacement, 4.5 m (15')
9	228731	Kit: Duramax 180°/Duramax 180° torch lead replacement, 7.6 m (25')
9	228732	Kit: Duramax 180°/Duramax 180° torch lead replacement, 10.7 m (35')
9	228733	Kit: Duramax 180°/Duramax 180° torch lead replacement, 15.2 m (50')
9	228734	Kit: Duramax 180°/Duramax 180° torch lead replacement, 22.8 m (75')
	128650	Remote start pendant for machine torch, 7.6 m (25')
	128651	Remote start pendant for machine torch, 15.2 m (50')
	128652	Remote start pendant for machine torch, 22.8 m (75')
	223035 <sup>1</sup>	Kit: 85 A Work lead with hand clamp, 7.6 m (25')

<sup>1</sup>Other work lead options available.



See pages 64–65 for current system part number information.

# Duramax® 180° mini machine torch parts

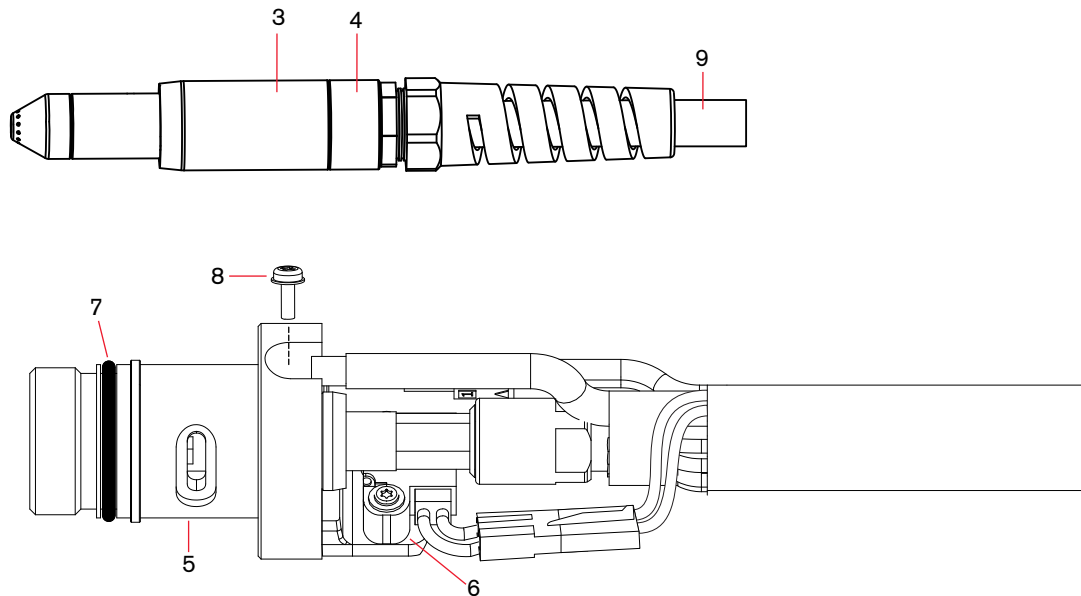
For use with the Powermax85®



## Duramax 180° mini machine torch assembly

Item	Kit/Part number	Description
	059481	Duramax 180° mini machine torch assembly with 4.5 m (15') lead
	059482	Duramax 180° mini machine torch assembly with 7.6 m (25') lead
	059483	Duramax 180° mini machine torch assembly with 10.7 m (35') lead
	059484	Duramax 180° mini machine torch assembly with 15.2 m (50') lead
3	220956	Kit: Duramax 180°/Duramax 180° mini torch front mounting sleeve
4	228736	Kit: Duramax 180°/Duramax 180° mini torch adapter ring (coupler)
5	228716	Kit: Duramax 180°/Duramax 180° mini torch main body replacement
6	228720	Kit: Cap-sensor switch replacement
7	058519	O-ring
8	075504	Pilot terminal screw
9	228730	Kit: Duramax 180°/Duramax 180° mini torch lead replacement, 4.5 m (15')
9	228731	Kit: Duramax 180°/Duramax 180° mini torch lead replacement, 7.6 m (25')
9	228732	Kit: Duramax 180°/Duramax 180° mini torch lead replacement, 10.7 m (35')
9	228733	Kit: Duramax 180°/Duramax 180° mini torch lead replacement, 15.2 m (50')
9	228734	Kit: Duramax 180°/Duramax 180° mini torch lead replacement, 22.8 m (75')
	128650	Remote start pendant for machine torch, 7.6 m (25')
	128651	Remote start pendant for machine torch, 15.2 m (50')
	128652	Remote start pendant for machine torch, 22.8 m (75')
	223035	Kit: 85 A Work lead with hand clamp, 7.6 m (25')

\*Other work lead options available.



See pages 64–65 for current system part number information.

# Duramax® 180° robotic torch parts

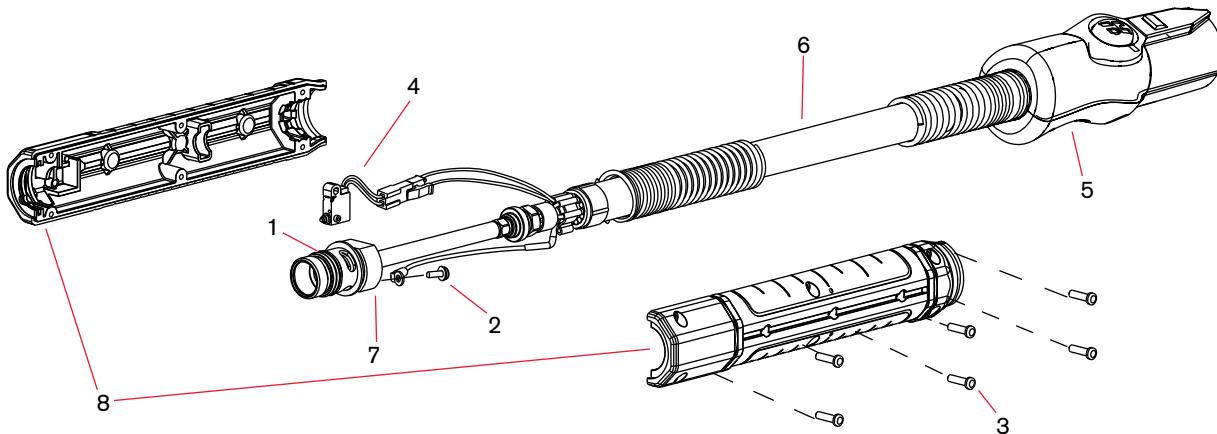
For use with the Powermax85®



## Duramax 180° robotic torch assembly

The entire Duramax 180° robotic torch assembly with leads can be replaced, or individual component parts can be replaced.

Item	Kit/Part number	Description
	059466	Duramax 180° robotic torch assembly with 7.6 m (25') lead
	059587	Duramax 180° robotic torch assembly with 15.2 m (50') lead
1	058519	O-ring
2	075504	Pilot terminal screw
3	075714	#4 x 1/2 slotted TORX pan head screws
4	228109	Kit: Cap-sensor switch replacement
5	428260	Kit: FastConnect replacement
6	228852	Kit: Robotic torch lead replacement, 7.6 m (25')
7	228853	Kit: 180° Robotic torch main body replacement
8	228856	Kit: 180° Robotic torch positioning barrel replacement
	228806	Kit: Robotic torch clamp assembly



# Duramax® 90° robotic torch parts

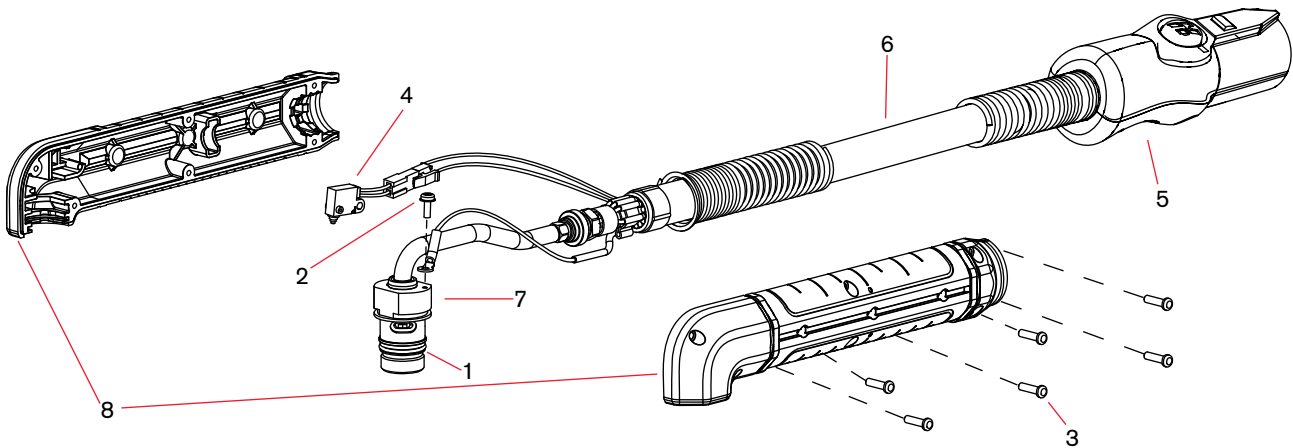
For use with the Powermax85®



## Duramax 90° robotic torch assembly

The entire Duramax 90° robotic torch assembly with leads can be replaced, or individual component parts can be replaced.

Item	Kit/Part number	Description
	059465	Duramax 90° robotic torch assembly with 7.6 m (25') lead
	059586	Duramax 90° robotic torch assembly with 15.2 m (50') lead
1	058519	O-ring
2	075504	Pilot terminal screw
3	075714	#4 x 1/2 slotted TORX pan head screws
4	228109	Kit: Cap-sensor switch replacement
5	428260	Kit: FastConnect replacement
6	228852	Kit: Robotic torch lead replacement, 7.6 m (25')
7	228854	Kit: 90° Robotic torch main body replacement
8	228857	Kit: 90° Robotic torch positioning barrel replacement
	228806	Kit: Robotic torch clamp assembly



See pages 64-65 for current system part number information.

# Duramax® 45° robotic torch parts

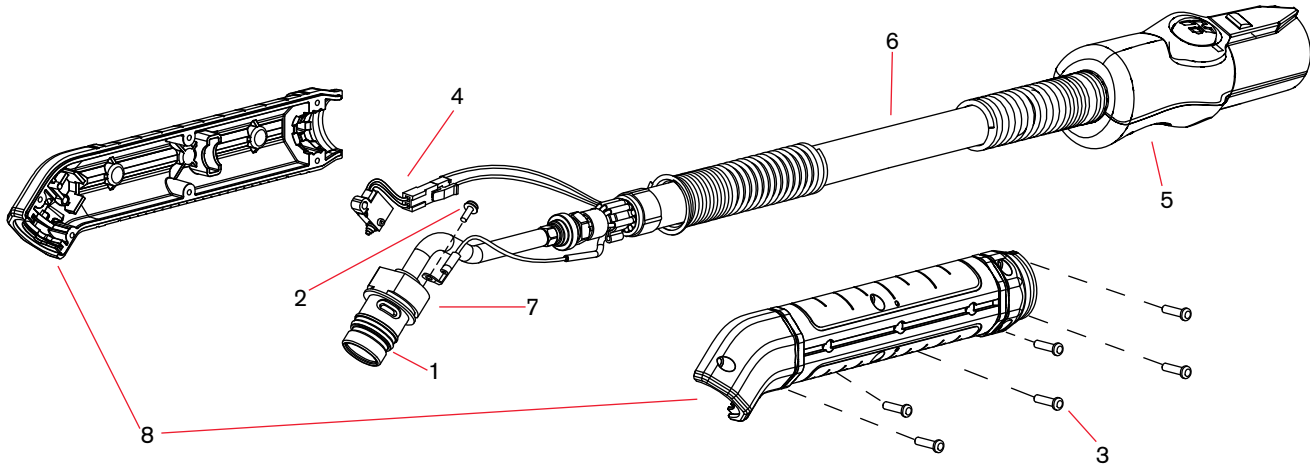
For use with the Powermax85®



## Duramax 45° robotic torch assembly

The entire Duramax 45° robotic torch assembly with leads can be replaced, or individual component parts can be replaced.

Item	Kit/Part number	Description
	059464	Duramax 45° robotic torch assembly with 7.6 m (25') lead
	059585	Duramax 45° robotic torch assembly with 15.2 m (50') lead
1	058519	O-ring
2	075504	Pilot terminal screw
3	075714	#4 x 1/2 slotted TORX pan head screws
4	228109	Kit: Cap-sensor switch replacement
5	428260	Kit: FastConnect replacement
6	228852	Kit: Robotic torch lead replacement, 7.6 m (25')
7	228855	Kit: 45° Robotic torch main body replacement
8	228858	Kit: 45° Robotic torch positioning barrel replacement
	228806	Kit: Robotic torch clamp assembly

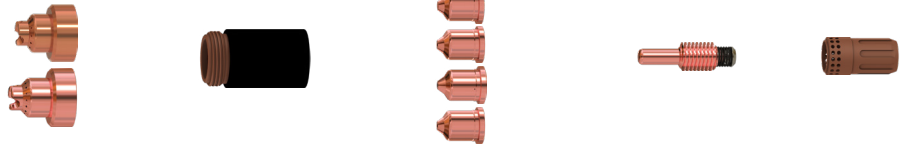






# Powermax105®

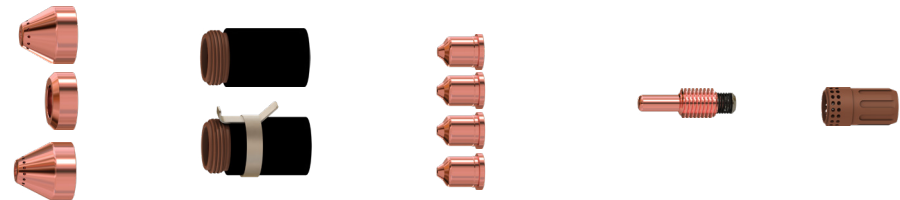
## Duramax® hand/machine torch consumables



Minimum order quantity		1	1	5	5	1
Consumable type	Torch type	Shield/deflector	Retaining cap	Nozzle	Electrode	Swirl ring
Drag-cutting (30-105 A)	Hand	220818 <sup>2</sup> (45 A)	220854	220941 <sup>2</sup> (45 A)	220842 <sup>2</sup> or 220777 <sup>1,2</sup>	220994
		220818 <sup>2</sup> (65 A)		220819 <sup>2</sup> (65 A)		
		220818 <sup>2</sup> (85 A)		220816 <sup>2</sup> (85 A)		
		220992 <sup>2</sup> (105 A)		220990 (105 A)		
Quantity in kit		2	1	7	7	1
Essential cutting kit – 851471 (30-105 A)	Hand	220992	220854	220990	220842	220994



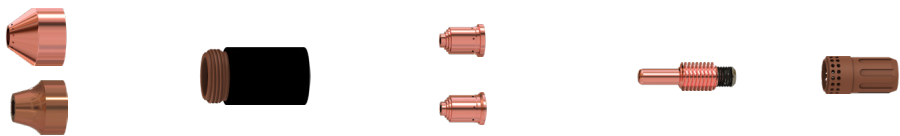
<sup>1</sup>For longer consumable life when cutting metal 1/2 inch (12 mm) and under, check out the CopperPlus electrode (part number 220777).  
<sup>2</sup>Consumable available in bulk packaging. See order information below.



Minimum order quantity		1	1	5	5	1					
Consumable type	Torch type	Shield/deflector	Retaining cap	Nozzle	Electrode	Swirl ring					
Mechanized (30-105 A)	Machine	220817 <sup>2</sup> or 220955 <sup>3</sup> (45 A)	220854 or 220953 ohmic	220941 <sup>2</sup> (45 A)	220842 <sup>2</sup> or 220777 <sup>1,2</sup>	220994					
		220817 <sup>2</sup> or 220955 <sup>3</sup> (65 A)		220819 <sup>2</sup> (65 A)							
		220817 <sup>2</sup> or 220955 <sup>3</sup> (85 A)		220816 <sup>2</sup> (85 A)							
		220993 <sup>2</sup> or 220955 <sup>3</sup> (105 A)		220990 <sup>2</sup> (105 A)							
Quantity in kit		1	1	7	4	3					
Essential cutting kit – 851472 or 851473 (ohmic) (30-105 A)	Machine	220817 (Shield)	220955 (Deflector)	220993 105 A (Shield)	220854 or 220953 ohmic	220990 (85-105 A)	220819 (65 A)	220816 (85 A)	220842 (Cutting)	220777 (CopperPlus)	220994



<sup>1</sup>For longer consumable life when cutting metal 1/2 inch (12 mm) and under, check out the CopperPlus electrode (part number 220777).  
<sup>2</sup>Consumable available in bulk packaging. See order information below.  
<sup>3</sup>Deflector for unshielded cutting.



Minimum order quantity		1	1	5	5	1
Consumable type	Torch type	Shield/deflector	Retaining cap	Nozzle	Electrode	Swirl ring
Max removal gouging <sup>4</sup> (45-105 A)	Hand/Machine	220798	220854	220797 (45 A)	220842 <sup>2</sup>	220994
Max control gouging <sup>5</sup> (45-105 A)	Hand/Machine			220797 (65 A)		
				220797 (85 A)		
				220991 (105 A)		

<sup>2</sup>Consumable available in bulk packaging. See order information below.  
<sup>4</sup>The Max removal gouging shield is designed for aggressive metal removal, deep gouge profiles and extreme metal washing.  
<sup>5</sup>The Max control gouging shield is designed for more precise metal removal, shallower gouge profiles and light metal washing.



Minimum order quantity		1	1	5	5	1
Consumable type	Torch type	Shield/deflector	Retaining cap	Nozzle	Electrode	Swirl ring
FineCut® (30-45 A)	Hand	220931	220854 or 220953 (ohmic)	220930 <sup>2</sup>	220842 <sup>2</sup>	220947
	Machine	220955 or 220948 (ohmic)				

<sup>2</sup>Consumable available in bulk packaging. See order information below.



Minimum order quantity		1	1	1	1	1
Consumable type	Torch type	Retaining cap	Nozzle	Electrode	Swirl ring	
HyAccess drag-cutting (30-65 A)	Hand	420413	420410	420408	220857 or 220994	
HyAccess gouging (30-65 A)			420412			
Quantity in kit		1	1	1	2	1
HyAccess kit – 428414 (30-65 A)	Hand	420413	420410 (cutting)	420412 (gouging)	420408	220857
		HyAccess cutting only starter pack – 428445 <sup>5</sup>				
		HyAccess gouging only starter pack – 428446 <sup>7</sup>				



Warning: The Duramax HyAccess (65 amps and below) consumables should not be operated above 65 amps

<sup>5</sup>Starter pack contains 1 retaining cap (420413), 1 cutting nozzle (420410) and 1 electrode (420408)

<sup>7</sup>Starter pack contains 1 retaining cap (420413), 1 gouging nozzle (420412) and 1 electrode (420408)



Minimum order quantity		1	1	1	5	1
Consumable type	Torch type	Retaining ring	Retaining cap	Nozzle/shield assembly	Electrode	Swirl ring
FlushCut (30-45 A) <sup>2</sup>	Hand/Machine	420540	420536	420633	420635	420634
FlushCut (65-105 A) <sup>2</sup>	Hand/Machine	420540	420536	420533	220842 or 220777 <sup>1</sup>	420539
Quantity in kit		1	1	1	1	1
FlushCut kit – 428647 (65-105 A)	Hand/Machine	420540	420536	420533	220842	420539

<sup>1</sup>For longer consumable life when cutting metal 1/2 inch (12 mm) and under, check out the CopperPlus electrode (part number 220777).

<sup>2</sup>Using the 45 amp FlushCut consumables on the Powermax105 above 45 amps will cause premature consumable damage.

### Duramax® consumable bulk kits

Order quantity	25	25	25	25	25	25	25	25	25	10	10	10	10
Bulk kit part number	228934	228767	228760	228759	228761	228762	228765	228797	228796	228798	228799	228763	228764
Contents	220777 electrode	220842 electrode	220816 nozzle	220819 nozzle	220930 nozzle	220797 nozzle	220941 nozzle	220990 nozzle	220991 nozzle	220992 shield	220993 shield	220817 shield	220818 shield



See pages 64-65 for current system part number information.

# Duramax® 75° hand torch parts

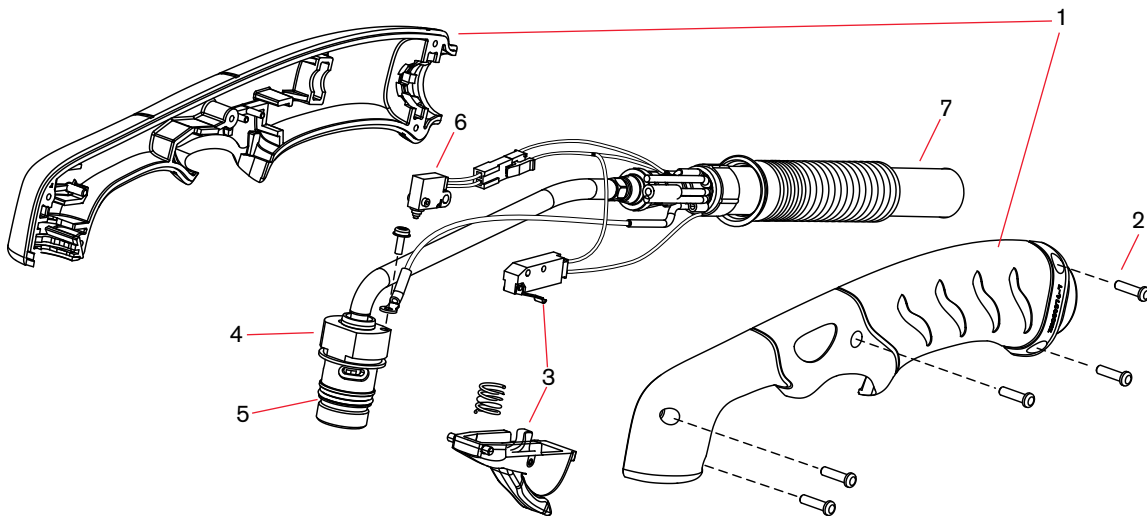
For use with the Powermax105®



## Duramax 75° hand torch assembly

Item	Kit/Part number	Description
	059473	Duramax 75° hand torch assembly with 7.6 m (25') lead
	059474	Duramax 75° hand torch assembly with 15.2 m (50') lead
	059475	Duramax 75° hand torch assembly with 22.8 m (75') lead
1	228954	Kit: Duramax 75°/HRT Torch handle replacement
2	075714	Handle screws, #4 x 1/2 slotted TORX pan head, S/B
3	228721	Kit: Duramax 75°/Duramax 15°/HRT/HRTs (spring and trigger assembly)
4	228958	Kit: Duramax 75° Torch main body replacement
5	058519	O-ring
6	228719	Kit: Duramax 75° Cap-sensor switch replacement
7	228959	Kit: Duramax 75° Torch lead replacement, 7.6 m (25')
7	228960	Kit: Duramax 75° Torch lead replacement, 15.2 m (50')
7	228961	Kit: Duramax 75° Torch lead replacement, 22.8 m (75')
	223254 <sup>1</sup>	Kit: 105 A Work lead with hand clamp, 7.6 m (25')

<sup>1</sup>Other work lead options available.



# Duramax® 15° hand torch parts

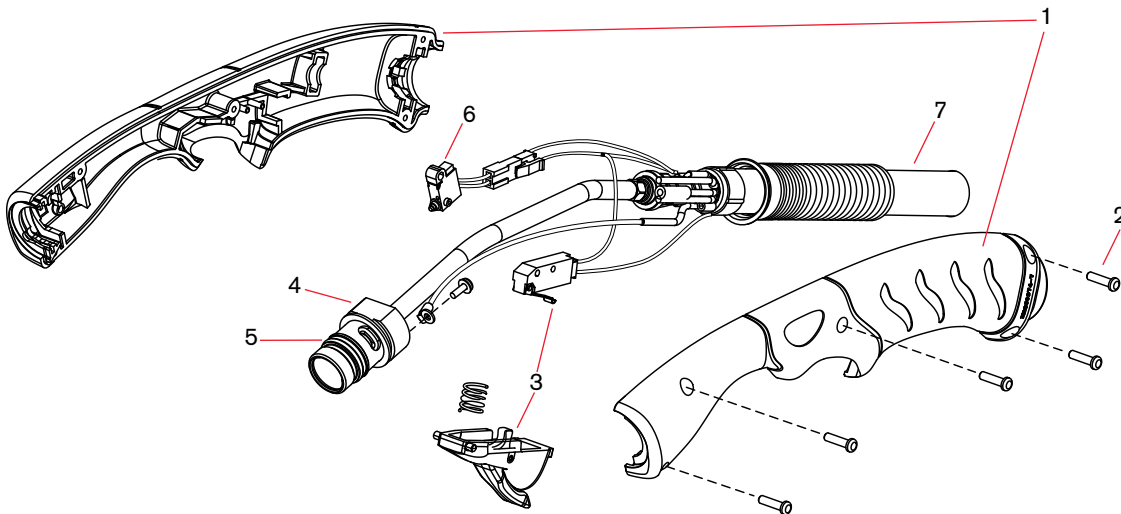
For use with the Powermax105®



## Duramax 15° hand torch assembly

Item	Kit/Part number	Description
	059470	Duramax 15° hand torch assembly with 7.6 m (25') lead
	059471	Duramax 15° hand torch assembly with 15.2 m (50') lead
	059472	Duramax 15° hand torch assembly with 22.8 m (75') lead
1	228955	Kit: Duramax 15° Torch handle replacement
2	075714	Handle screws, #4 x 1/2 slotted TORX pan head, S/B
3	228721	Kit: Duramax 15°/Duramax 75°/HRT/HRTs (spring and trigger assembly)
4	228957	Kit: Duramax 15° Torch main body replacement
5	058519	O-ring
6	228109	Kit: Duramax 15° Cap-sensor switch replacement
7	228959	Kit: Duramax 15° Torch lead replacement, 7.6 m (25')
7	228960	Kit: Duramax 15° Torch lead replacement, 15.2 m (50')
7	228961	Kit: Duramax 15° Torch lead replacement, 22.8 m (75')
	223254 <sup>1</sup>	Kit: 105 A Work lead with hand clamp, 7.6 m (25')

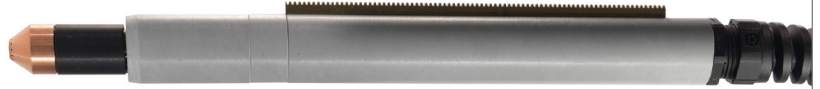
<sup>1</sup>Other work lead options available.



See pages 64–65 for current system part number information.

# Duramax<sup>®</sup> 180° machine torch parts

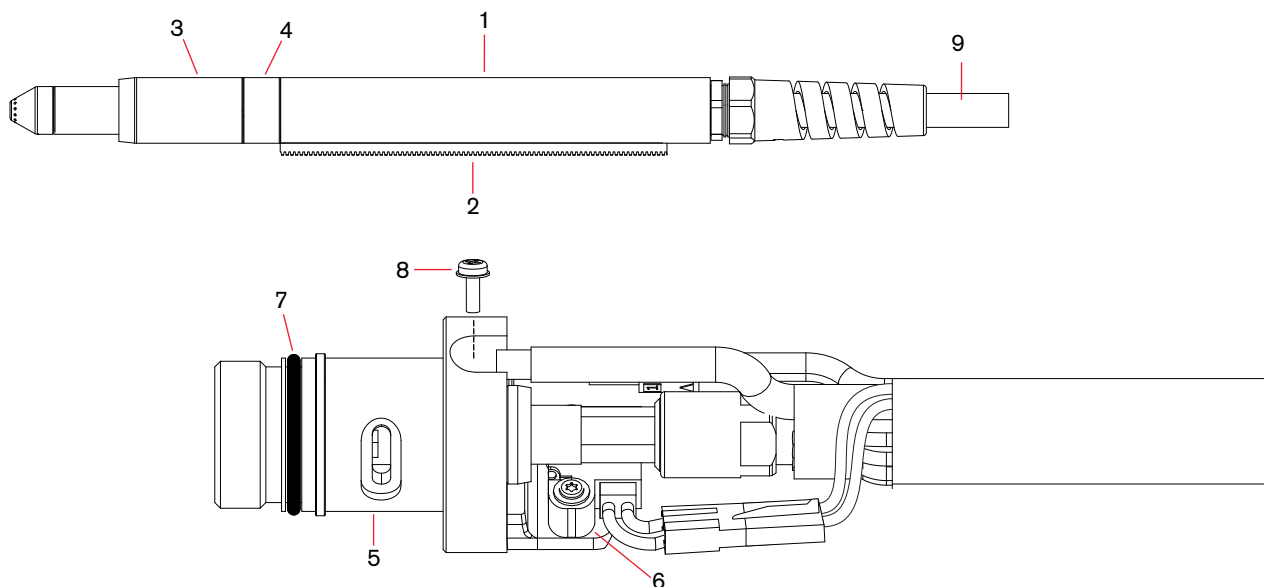
For use with the Powermax105<sup>®</sup>



## Duramax 180° machine torch assembly

Item	Kit/Part number	Description
	059476	Duramax 180° machine torch assembly with 4.5 m (15') lead
	059477	Duramax 180° machine torch assembly with 7.6 m (25') lead
	059478	Duramax 180° machine torch assembly with 10.7 m (35') lead
	059479	Duramax 180° machine torch assembly with 15.2 m (50') lead
	059480	Duramax 180° machine torch assembly with 22.8 m (75') lead
1	228737	Kit: Duramax 180° positioning sleeve
2	228738	Kit: Duramax 180° removable gear rack
3	228735	Kit: Duramax 180°/Duramax 180° torch front mounting sleeve
4	228736	Kit: Duramax 180°/Duramax 180° torch adapter ring (coupler)
5	228716	Kit: Duramax 180°/Duramax 180° torch main body replacement
6	228720	Kit: Cap-sensor switch replacement
7	058519	O-ring
8	075504	Pilot terminal screw
9	228730	Kit: Duramax 180°/Duramax 180° torch lead replacement, 4.5 m (15')
9	228731	Kit: Duramax 180°/Duramax 180° torch lead replacement, 7.6 m (25')
9	228732	Kit: Duramax 180°/Duramax 180° torch lead replacement, 35' (10. m)
9	228733	Kit: Duramax 180°/Duramax 180° torch lead replacement, 15.2 m (50')
9	228734	Kit: Duramax 180°/Duramax 180° torch lead replacement, 22.8 m (75')
	128650	Remote start pendant for machine torch, 7.6 m (25')
	128651	Remote start pendant for machine torch, 15.2 m (50')
	128652	Remote start pendant for machine torch, 22.8 m (75')
	223254 <sup>1</sup>	Kit: 105 A Work lead with hand clamp, 7.6 m (25')

<sup>1</sup>Other work lead options available.



See pages 64–65 for current system part number information.

# Duramax® 180° mini machine torch parts

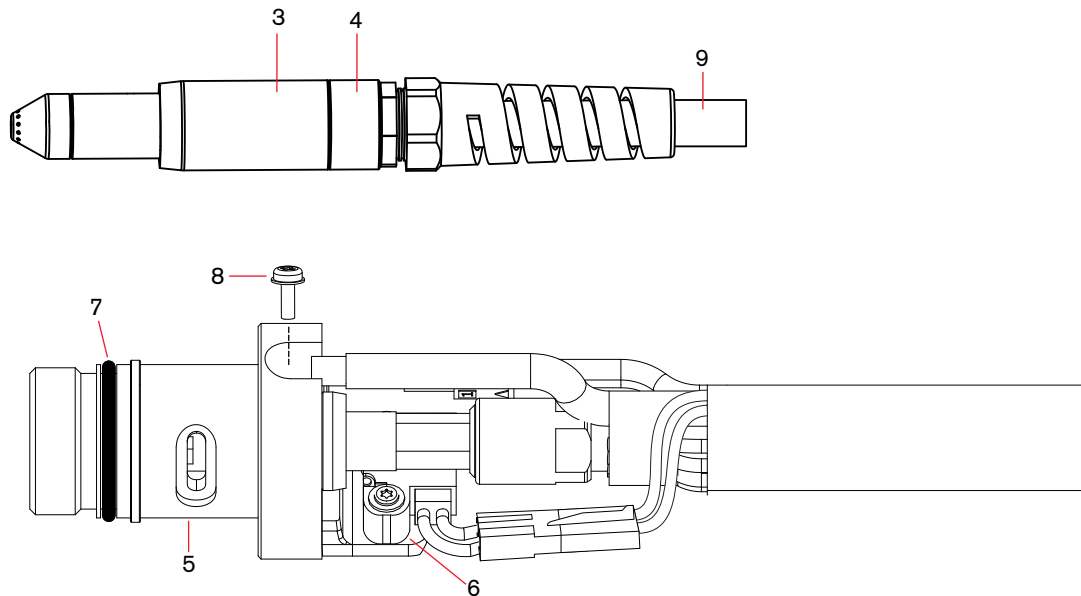
For use with the Powermax105®



## Duramax 180° mini torch assembly

Item	Kit/Part number	Description
	059481	Duramax 180° mini machine torch assembly with 4.5 m (15') lead
	059482	Duramax 180° mini machine torch assembly with 7.6 m (25') lead
	059483	Duramax 180° mini machine torch assembly with 10.7 m (35') lead
	059484	Duramax 180° mini machine torch assembly with 15.2 m (50') lead
3	220956	Kit: Duramax 180°/Duramax 180° mini torch front mounting sleeve
4	228736	Kit: Duramax 180°/Duramax 180° mini torch adapter ring (coupler)
5	228716	Kit: Duramax 180°/Duramax 180° mini torch main body replacement
6	228720	Kit: Cap-sensor switch replacement
7	058519	O-ring
8	075504	Pilot terminal screw
9	228730	Kit: Duramax 180°/Duramax 180° mini torch lead replacement, 4.5 m (15')
9	228731	Kit: Duramax 180°/Duramax 180° mini torch lead replacement, 7.6 m (25')
9	228732	Kit: Duramax 180°/Duramax 180° mini torch lead replacement, 10.7 m (35')
9	228733	Kit: Duramax 180°/Duramax 180° mini torch lead replacement, 15.2 m (50')
9	228734	Kit: Duramax 180°/Duramax 180° mini torch lead replacement, 22.8 m (75')
	128650	Remote start pendant for machine torch, 7.6 m (25')
	128651	Remote start pendant for machine torch, 15.2 m (50')
	128652	Remote start pendant for machine torch, 22.8 m (75')
	223254 <sup>1</sup>	Kit: 105 A Work lead with hand clamp, 7.6 m (25')

<sup>1</sup>Other work lead options available.



See pages 64–65 for current system part number information.

# Duramax<sup>®</sup> 180° robotic torch parts

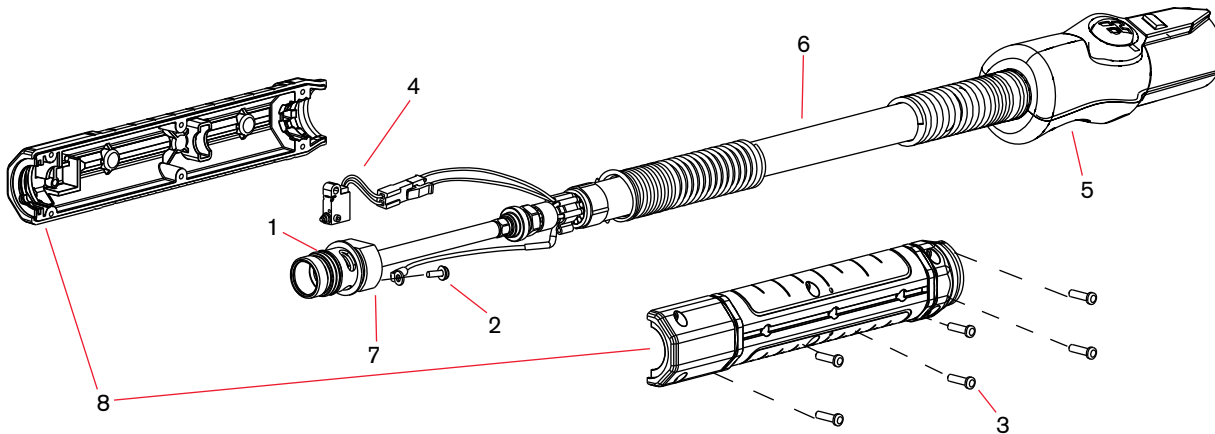
For use with the Powermax105<sup>®</sup>



## Duramax 180° robotic torch assembly

The entire Duramax 180° robotic torch assembly with leads can be replaced, or individual component parts can be replaced.

Item	Kit/Part number	Description
	059466	Duramax 180° robotic torch assembly with 7.6 m (25') lead
	059587	Duramax 180° robotic torch assembly with 15.2 m (50') lead
1	058519	O-ring
2	075504	Pilot terminal screw
3	075714	#4 x 1/2 slotted TORX pan head screw
4	228109	Kit: Cap-sensor switch replacement
5	428260	Kit: FastConnect replacement
6	228852	Kit: Robotic torch lead replacement, 7.6 m (25')
7	228853	Kit: 180° Robotic torch main body replacement
8	228856	Kit: 180° Robotic torch positioning barrel replacement
	228806	Kit: Robotic torch clamp assembly





# Duramax® 90° robotic torch parts

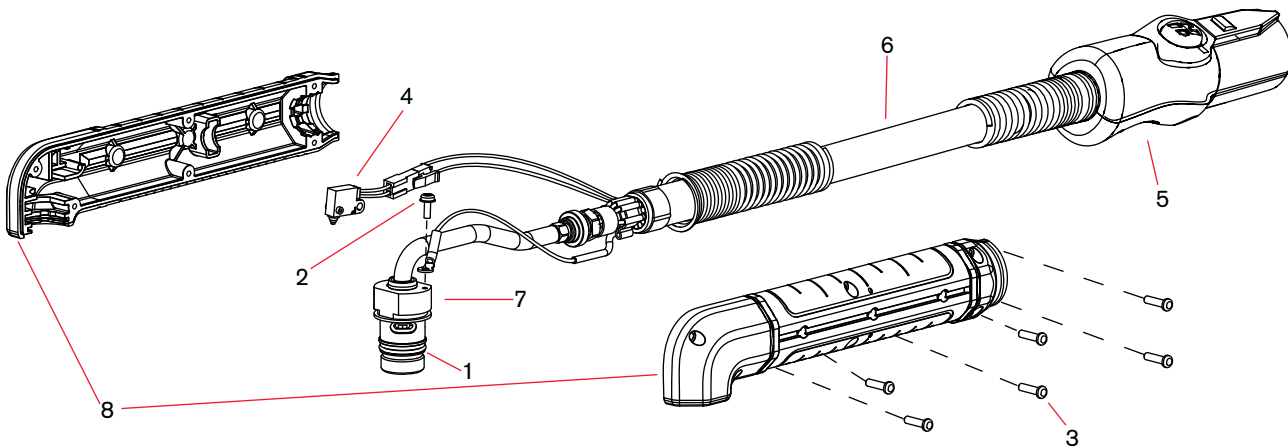
For use with the Powermax105®



## Duramax 90° robotic torch assembly

The entire Duramax 90° robotic torch assembly with leads can be replaced, or individual component parts can be replaced.

Item	Kit/Part number	Description
	059465	Duramax 90° robotic torch assembly with 7.6 m (25') lead
	059586	Duramax 90° robotic torch assembly with 15.2 m (50') lead
1	058519	O-ring
2	075504	Pilot terminal screw
3	075714	#4 x 1/2 slotted TORX pan head screws
4	228109	Kit: Cap-sensor switch replacement
5	428260	Kit: FastConnect replacement
6	228852	Kit: Robotic torch lead replacement, 7.6 m (25')
7	228854	Kit: 90° Robotic torch main body replacement
8	228857	Kit: 90° Robotic torch positioning barrel replacement
	228806	Kit: Robotic torch clamp assembly



See pages 64-65 for current system part number information.

# Duramax® 45° robotic torch parts

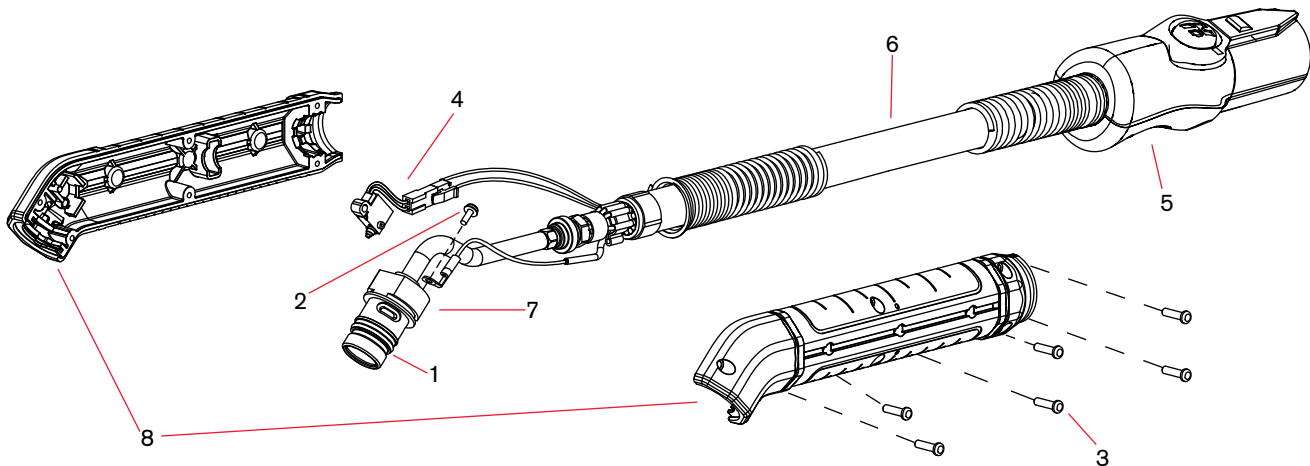
For use with the Powermax105®



## Duramax 45° robotic torch assembly

The entire Duramax 45° robotic torch assembly with leads can be replaced, or individual component parts can be replaced.

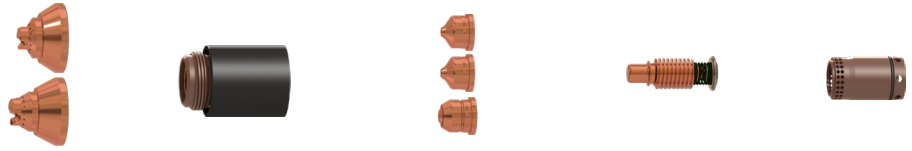
Item	Kit/Part number	Description
	059464	Duramax 45° robotic torch assembly with 7.6 m (25') lead
	059585	Duramax 45° robotic torch assembly with 15.2 m (50') lead
1	058519	O-ring
2	075504	Pilot terminal screw
3	075714	#4 x 1/2 slotted TORX pan head screws
4	228109	Kit: Cap-sensor switch replacement
5	428260	Kit: FastConnect replacement
6	228852	Kit: Robotic torch lead replacement, 7.6 m (25')
7	228855	Kit: 45° Robotic torch main body replacement
8	228858	Kit: 45° Robotic torch positioning barrel replacement
	228806	Kit: Robotic torch clamp assembly



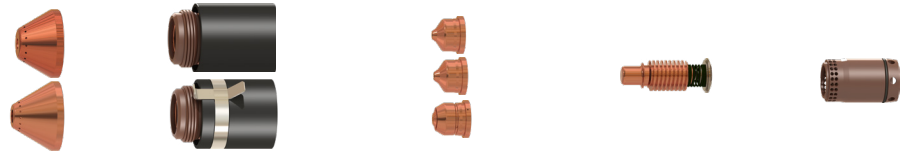


# Powermax125®

## Duramax® Hyamp hand/machine torch consumables



Minimum order quantity		1	1	5	5	1
Consumable type	Torch type	Shield/deflector	Retaining cap	Nozzle	Electrode	Swirl ring
Drag-cutting (30-125 A)	Hand	420172 (45 A)	220977	420158 (45 A)	220971	220997
		420172 (65 A)		420169 (65 A)		
		420000 (125 A)		220975 (125 A)		
Quantity in kit		2	1	6	6	1
Essential cutting kit – 851474 (30-125 A)	Hand	420000	220977	220975	220971	220997



Minimum order quantity		1	1	5	5	1
Consumable type	Torch type	Shield/deflector	Retaining cap	Nozzle	Electrode	Swirl ring
Mechanized (30-125 A)	Machine	420168 (45 A)	220977 or 420156 (ohmic)	420158 (45 A)	220971	220997
		420168 (65 A)		420169 (65 A)		
		220976 (65-125 A)		220975 (125 A)		
Quantity in kit		2	1	1	4	6
Essential cutting kit – 851475 or 851476 (ohmic) (30-125 A)	Machine	420168 (45-65 A) 220976 (65-125 A)	220977 or 420156 ohmic	420158 (65 A) 420169 (105 A)	220975	220971



Minimum order quantity		1	1	5	5	1
Consumable type	Torch type	Shield/deflector	Retaining cap	Nozzle	Electrode	Swirl ring
Max removal gouging <sup>1</sup> (65-125 A)	Hand/Machine	420112	220977	420001	220971	220997
Max control gouging <sup>2</sup> (65-125 A)	Hand/Machine	420509				

<sup>1</sup>The Max removal gouging shield is designed for aggressive metal removal, a deep gouge profiles and extreme metal washing.

<sup>2</sup>The Max control gouging shield is designed for more precise metal removal, shallower gouge profiles and light metal washing.



Minimum order quantity		1	1	5	5	1
Consumable type	Torch type	Shield/deflector	Retaining cap	Nozzle	Electrode	Swirl ring
FineCut® (30–45 A)	Hand Machine	420152	220977 or 420156 (ohmic)	420151	220971	420159 220997



Minimum order quantity		1	1	1	1	1
Consumable type	Torch type	Retaining ring	Retaining cap	Nozzle/shield assembly	Electrode	Swirl ring
Hyamp FlushCut (85–125 A)	Hand/Machine	420485	420490	420489	420553	420484
Quantity in kit		1	1	1	1	1
FlushCut kit – 428713 (85–125 A)	Hand/Machine	420485	420490	420489	420553	420484



See pages 64–65 for current system part number information.

# Duramax® Hyamp™ 85° hand torch parts

For use with the Powermax125®



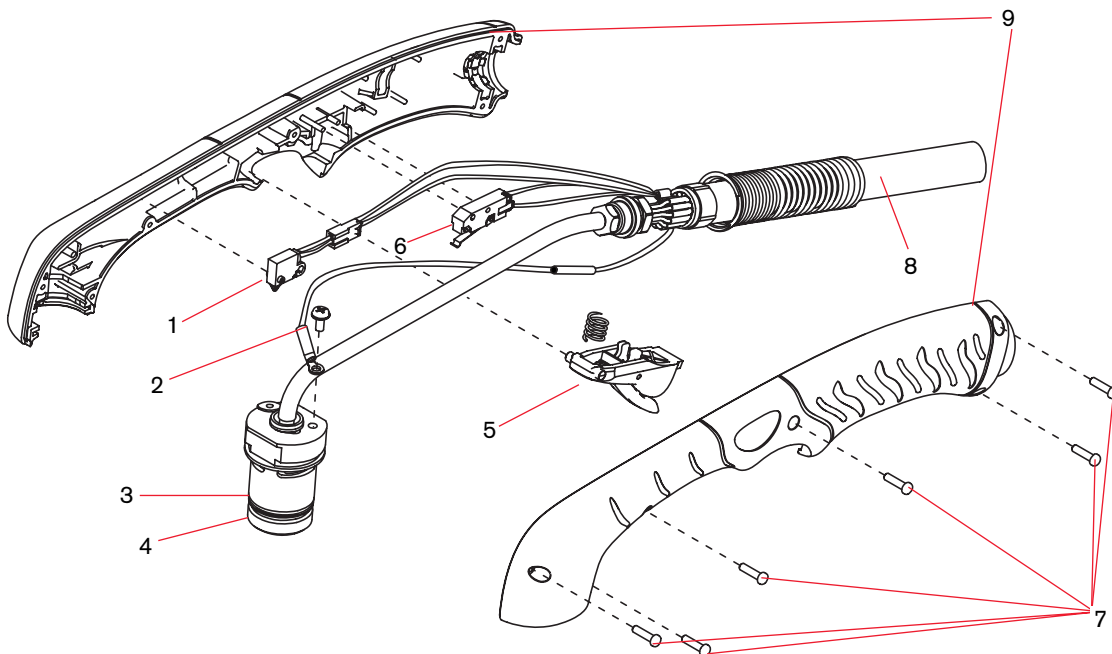
## Duramax Hyamp 85° hand torch parts

The entire hand torch and lead assembly can be replaced, or individual component parts can be replaced. Use the following part numbers to replace the entire Duramax Hyamp 85° hand torch assembly. Part numbers starting with 059 indicate complete torch and lead assemblies. Please note Duramax Hyamp torches and consumables are also compatible for use with Powermax45 XP/65/85/105 systems.

Item	Kit/Part number	Description
	059492 <sup>1</sup>	Duramax Hyamp 85° hand torch assembly with 7.6 m (25') lead
	059493 <sup>1</sup>	Duramax Hyamp 85° hand torch assembly with 15 m (50') lead
	059494 <sup>1</sup>	Duramax Hyamp 85° hand torch assembly with 23 m (75') lead
	059665 <sup>2</sup>	Duramax Hyamp 85° hand torch assembly with 45.7 m (150') lead
1	228719	Kit: Duramax and Duramax Hyamp hand torch cap-sensor switch
2	075696	Pilot terminal screw
3	428158	Kit: Duramax Hyamp 85° hand torch main body
4	428253	Kit: Duramax Hyamp O-ring (5)
5	428156	Kit: Duramax Hyamp hand torch trigger with spring
6	428162	Kit: Duramax Hyamp start switch
7	428148	Kit: Duramax Hyamp hand torch handle screws
8	428159	Kit: Duramax Hyamp hand torch lead, 7.6 m (25')
8	428160	Kit: Duramax Hyamp hand torch lead, 15 m (50')
8	428161	Kit: Duramax Hyamp hand torch lead, 23 m (75')
8	428762	Kit: Duramax Hyamp hand torch lead, 45.7 m (150')
9	428155	Kit: Duramax Hyamp 85° torch handle
	428260	Kit: Duramax and Duramax Hyamp torch quick disconnect repair (lead side)

<sup>1</sup>The torch assembly does not include consumables.

<sup>2</sup>This torch is only compatible with Powermax125s built after November 14, 2017 (serial number 125-007944 or higher) or that have had the DSP board replaced with a board built after this date.



See pages 64–65 for current system part number information.

# Duramax® Hyamp™ 15° hand torch parts

For use with the Powermax125®



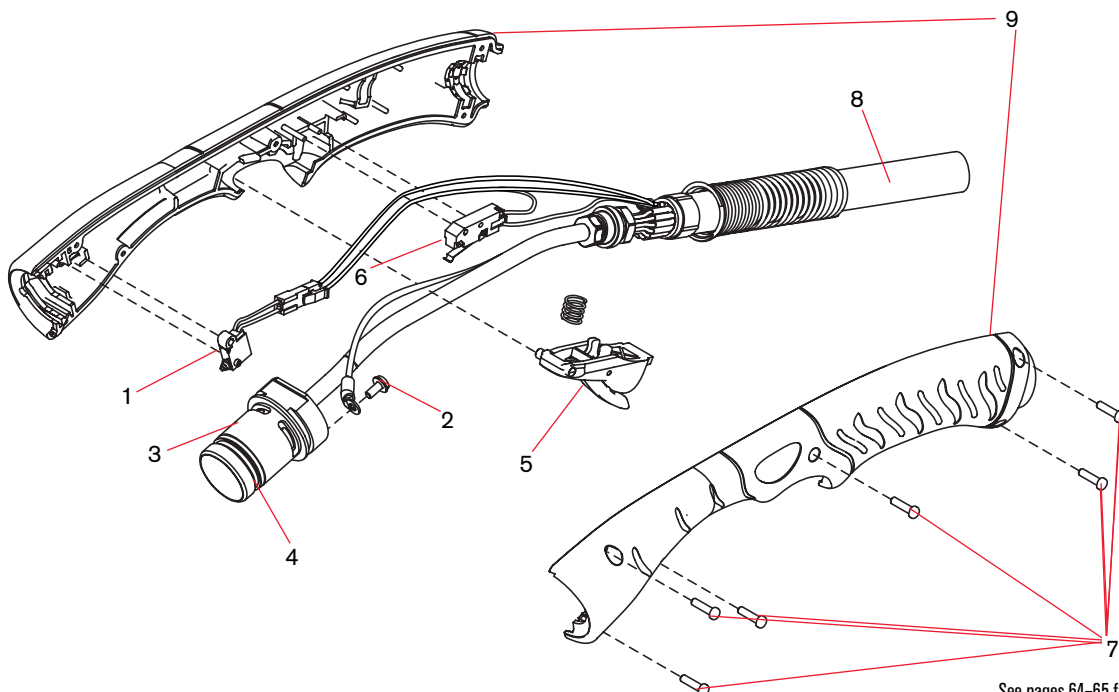
## Duramax Hyamp 15° hand torch parts

The entire hand torch and lead assembly can be replaced, or individual component parts can be replaced. Use the following part numbers to replace the entire Duramax Hyamp 85° hand torch assembly. Part numbers starting with 059 indicate complete torch and lead assemblies. Please note Duramax Hyamp torches and consumables are also compatible for use with Powermax45 XP/65/85/105 systems.

Item	Kit/Part number	Description
	059495 <sup>1</sup>	Duramax Hyamp 15° hand torch assembly with 7.6 m (25') lead
	059496 <sup>1</sup>	Duramax Hyamp 15° hand torch assembly with 15 m (50') lead
	059497 <sup>1</sup>	Duramax Hyamp 15° hand torch assembly with 23 m (75') lead
	059664 <sup>2</sup>	Duramax Hyamp 15° hand torch assembly with 45.7 m (150') lead
1	228719	Kit: Duramax and Duramax Hyamp hand torch cap-sensor switch
2	075696	Pilot terminal screw
3	428157	Kit: Duramax Hyamp 15° hand torch main body
4	428253	Kit: Duramax Hyamp O-ring (5)
5	428156	Kit: Duramax Hyamp hand torch trigger with spring
6	428162	Kit: Duramax Hyamp start switch
7	428148	Kit: Duramax Hyamp hand torch handle screws
8	428159	Kit: Duramax Hyamp hand torch lead, 7.6 m (25')
8	428160	Kit: Duramax Hyamp hand torch lead, 15 m (50')
8	428161	Kit: Duramax Hyamp hand torch lead, 23 m (75')
8	428762	Kit: Duramax Hyamp hand torch lead, 45.7 m (150')
9	428154	Kit: Duramax Hyamp 15° torch handle
	428260	Kit: Duramax and Duramax Hyamp torch quick disconnect repair (lead side)

<sup>1</sup>The torch assembly does not include consumables.

<sup>2</sup>This torch is only compatible with Powermax125s built after November 14, 2017 (serial number 125-007944 or higher) or that have had the DSP board replaced with a board built after this date.



See pages 64-65 for current system part number information.

# Duramax® Hyamp™ 180° full-length machine torch parts

For use with the Powermax125®

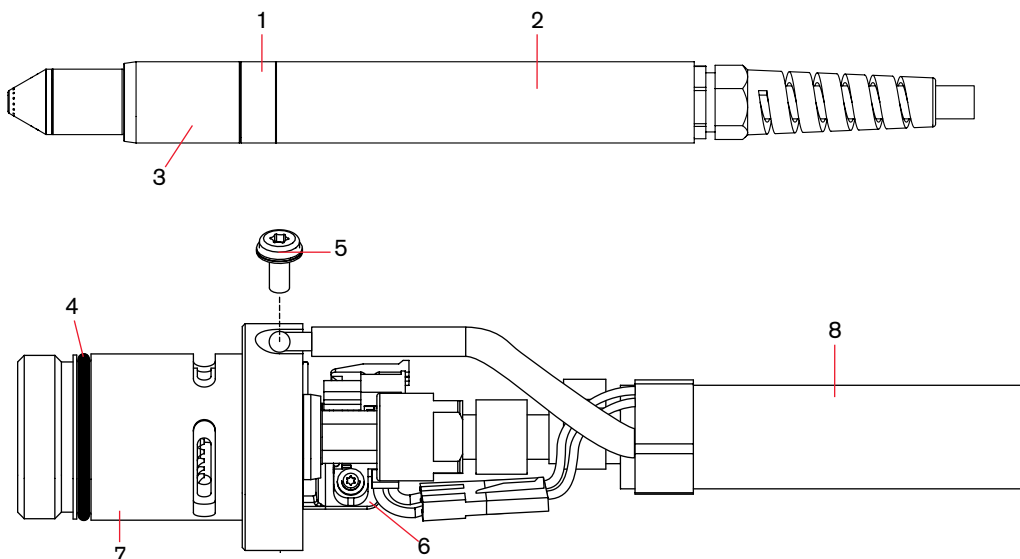


## Duramax Hyamp 180° full-length machine torch assembly

The entire machine torch and lead assembly can be replaced, or individual component parts can be replaced. Use the following part numbers to replace the entire Duramax Hyamp 180° full-length machine torch assembly. Part numbers starting with 059 indicate complete torch and lead assemblies. The standard OD on Duramax Hyamp torches is 45 mm (1.75"). Please note Duramax Hyamp torches and consumables are also compatible for use with Powermax45 XP/65/85/105 systems.

Item	Kit/Part number	Description
	059519 <sup>1</sup>	Duramax Hyamp 180° full-length machine torch assembly with 4.6 m (15') lead
	059520 <sup>1</sup>	Duramax Hyamp 180° full-length machine torch assembly with 7.6 m (25') lead
	059521 <sup>1</sup>	Duramax Hyamp 180° full-length machine torch assembly with 10.7 m (35') lead
	059522 <sup>1</sup>	Duramax Hyamp 180° full-length machine torch assembly with 15 m (50') lead
	059523 <sup>1</sup>	Duramax Hyamp 180° full-length machine torch assembly with 23 m (75') lead
1	428248	Kit: Duramax Hyamp 180° machine torch coupler
2	428144	Kit: Duramax Hyamp 180° full-length machine torch positioning sleeve
3	428145	Kit: Duramax Hyamp 180° machine torch mounting sleeve
4	428253	Kit: Duramax Hyamp O-ring (5)
5	075696	Pilot terminal screw
6	228720	Kit: Duramax/Hyamp/MRT 180° machine torch cap-sensor switch
7	428147	Kit: Duramax Hyamp 180° machine torch main body
8	428149	Kit: Duramax Hyamp 180° machine torch lead, 4.6 m (15')
8	428150	Kit: Duramax Hyamp 180° machine torch lead, 7.6 m (25')
8	428151	Kit: Duramax Hyamp 180° machine torch lead, 10.7 m (35')
8	428152	Kit: Duramax Hyamp 180° machine torch lead, 15 m (50')
8	428153	Kit: Duramax Hyamp 180° machine torch lead, 23 m (75')
	428260	Kit: Duramax and Duramax Hyamp torch quick disconnect repair (lead side)

<sup>1</sup>The torch assembly does not include consumables.



See pages 64–65 for current system part number information.



# Duramax<sup>®</sup> Hyamp<sup>™</sup> mini machine torch parts

For use with the Powermax125<sup>®</sup>



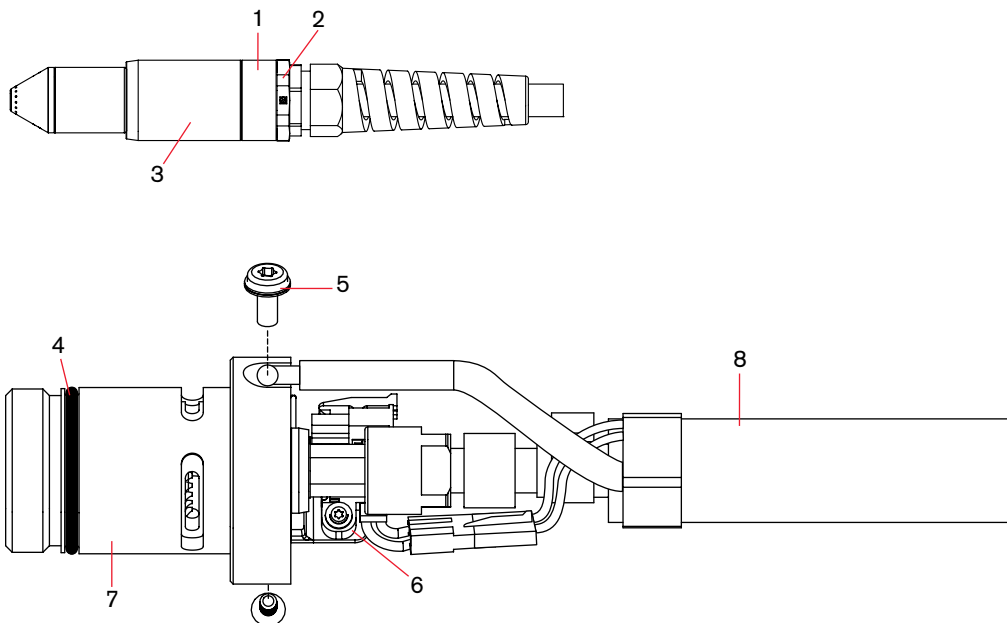
## Duramax Hyamp 180° mini machine torch assembly

The entire machine torch and lead assembly can be replaced, or individual component parts can be replaced. Use the following part numbers to replace the entire Duramax Hyamp 180° mini machine torch assembly. Part numbers starting with 059 indicate complete torch and lead assemblies. Please note Duramax Hyamp torches and consumables are also compatible for use with Powermax45 XP/65/85/105 systems.

Item	Kit/Part number	Description
	059514 <sup>1</sup>	Duramax Hyamp 180° mini machine torch assembly with 4.6 m (15') lead
	059515 <sup>1</sup>	Duramax Hyamp 180° mini machine torch assembly with 7.6 m (25') lead
	059516 <sup>1</sup>	Duramax Hyamp 180° mini machine torch assembly with 10.7 m (35') lead
	059517 <sup>1</sup>	Duramax Hyamp 180° mini machine torch assembly with 15 m (50') lead
	059666 <sup>2</sup>	Duramax Hyamp 180° mini machine torch assembly with 45.7 m (150') lead
1	428248	Kit: Duramax Hyamp 180° machine torch coupler
2	428146	Kit: Duramax Hyamp 180° mini machine torch adapter ring
3	428145	Kit: Duramax Hyamp 180° machine torch mounting sleeve
4	428253	Kit: Duramax Hyamp O-ring (5)
5	075696	Pilot terminal screw
6	228720	Kit: Duramax/Hyamp/MRT 180° machine torch cap-sensor switch
7	428147	Kit: Duramax Hyamp 180° machine torch main body
8	428149	Kit: Duramax Hyamp 180° machine torch lead, 4.6 m (15')
8	428150	Kit: Duramax Hyamp 180° machine torch lead, 7.6 m (25')
8	428151	Kit: Duramax Hyamp 180° machine torch lead, 10.7 m (35')
8	428152	Kit: Duramax Hyamp 180° machine torch lead, 15 m (50')
8	428761	Kit: Duramax Hyamp 180° machine torch lead, 45.7m (150')
	428260	Kit: Duramax and Duramax Hyamp torch quick disconnect repair (lead side)

<sup>1</sup>The torch assembly does not include consumables.

<sup>2</sup>This torch is only compatible with Powermax125s built after November 14, 2017 (serial number 125-007944 or higher) or that have had the DSP board replaced with a board built after this date.



See pages 64–65 for current system part number information.

# Duramax® Hyamp™ 180° robotic torch parts

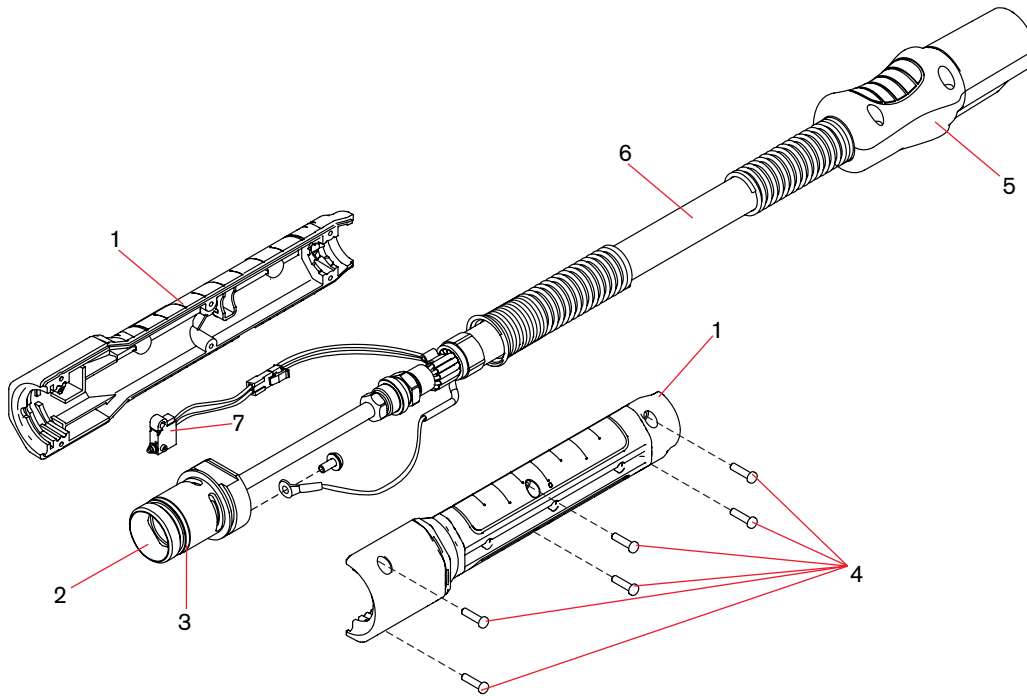
For use with the Powermax125®



## Duramax Hyamp 180° robotic torch assembly

The entire Duramax Hyamp 180° robotic torch assembly with leads can be replaced, or individual component parts can be replaced. Please note Duramax Hyamp torches and consumables are also compatible for use with Powermax45 XP/65/85/105 systems.

Item	Kit/Part number	Description
	059566	Duramax Hyamp 180° robotic torch assembly with leads, 7.6 m (25')
1	428295	Kit: Duramax Hyamp 180° robotic torch barrel
2	428298	Kit: Duramax Hyamp 180° robotic torch main body
3	428253	O-ring (5)
4	075714	Positioning barrel screws
5	428260	Kit: FastConnect
6	428292	Kit: Duramax Hyamp robotic torch lead, 7.6 m (25')
7	228109	Kit: Cap-sensor switch
	228806	Kit: Robotic torch clamp assembly



# Duramax® Hyamp™ 90° robotic torch parts

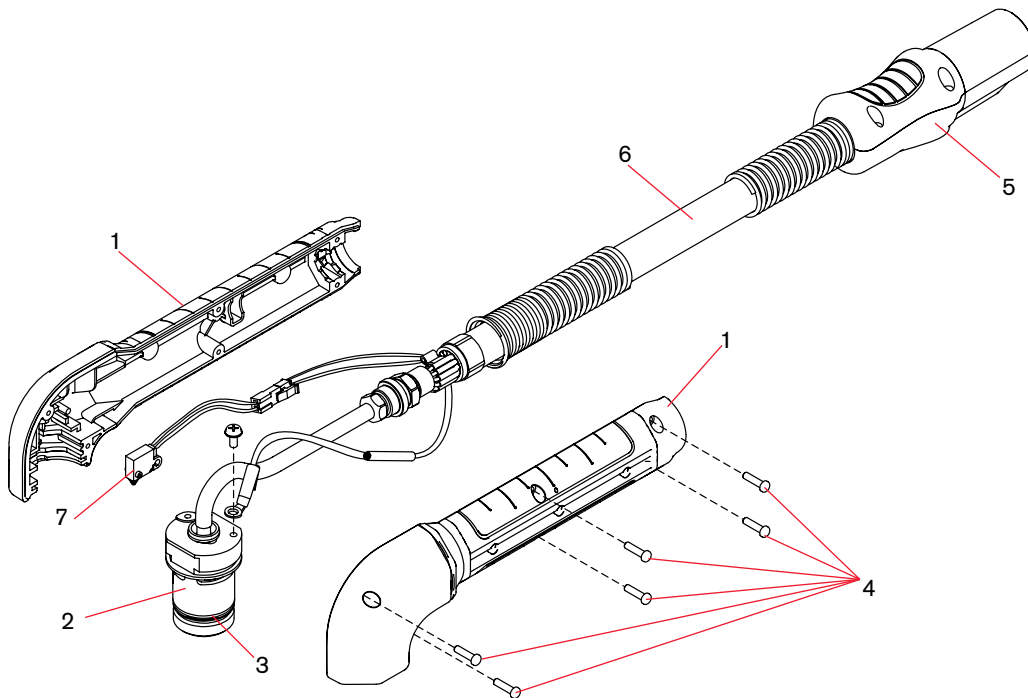
For use with the Powermax125®



## Duramax Hyamp 90° robotic torch assembly

The entire Duramax Hyamp 90° robotic torch assembly with leads can be replaced, or individual component parts can be replaced. Please note Duramax Hyamp torches and consumables are also compatible for use with Powermax45 XP/65/85/105 systems.

Item	Kit/Part number	Description
	059565	Duramax Hyamp 90° robotic torch assembly with leads, 7.6 m (25')
1	428294	Kit: Duramax Hyamp 90° robotic torch barrel
2	428297	Kit: Duramax Hyamp 90° robotic torch main body
3	428253	O-ring (5)
4	075714	Positioning barrel screws
5	428260	Kit: FastConnect
6	428292	Kit: Duramax Hyamp robotic torch lead, 7.6 m (25')
7	228109	Kit: Cap-sensor switch
	228806	Kit: Robotic torch clamp assembly



See pages 64–65 for current system part number information.

# Duramax® Hyamp™ 45° robotic torch parts

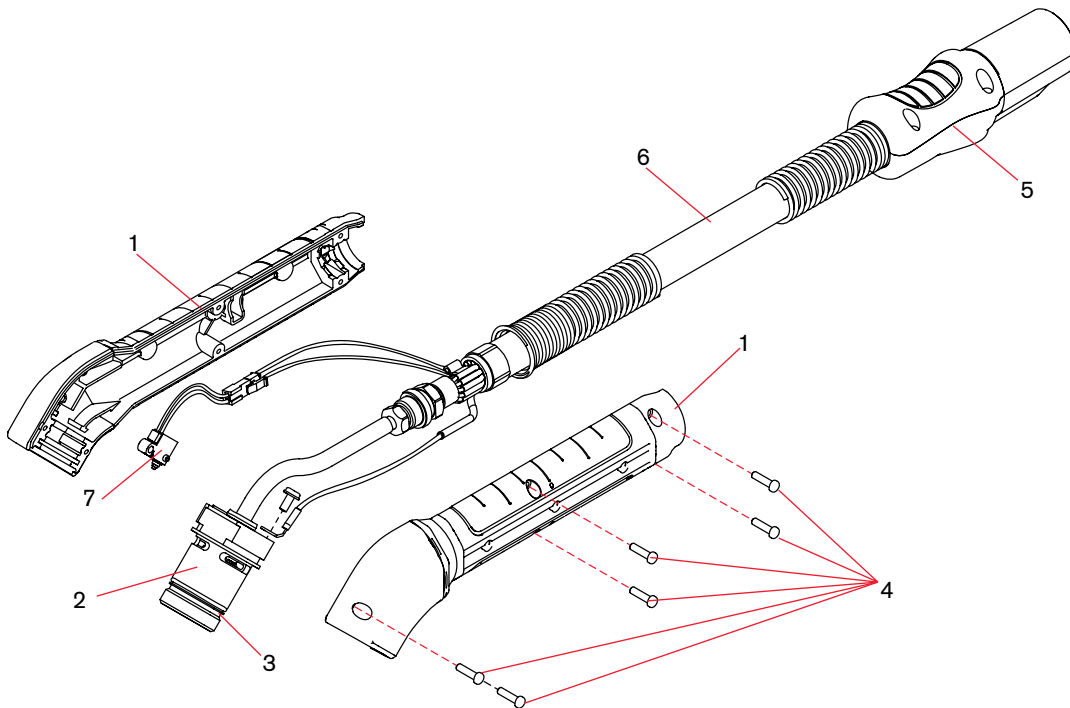
For use with the Powermax125®



## Duramax Hyamp 45° robotic torch assembly

The entire Duramax Hyamp 45° robotic torch assembly with leads can be replaced, or individual component parts can be replaced. Please note Duramax Hyamp torches and consumables are also compatible for use with Powermax45 XP/65/85/105 systems.

Item	Kit/Part number	Description
	059564	Duramax Hyamp 45° robotic torch assembly with leads, 7.6 m (25')
1	428293	Kit: Duramax Hyamp 45° robotic torch barrel
2	428296	Kit: Duramax Hyamp 45° robotic torch main body
3	428253	O-ring (5)
4	075714	Positioning barrel screws
5	428260	Kit: FastConnect
6	428292	Kit: Duramax Hyamp robotic torch lead, 7.6 m (25')
7	228109	Kit: Cap-sensor switch
	228806	Kit: Robotic torch clamp assembly



# Duramax® Hyamp™ 45° long hand torch replacement parts

For use with the Powermax125®



## Duramax Hyamp 45° long hand torch assembly – external components

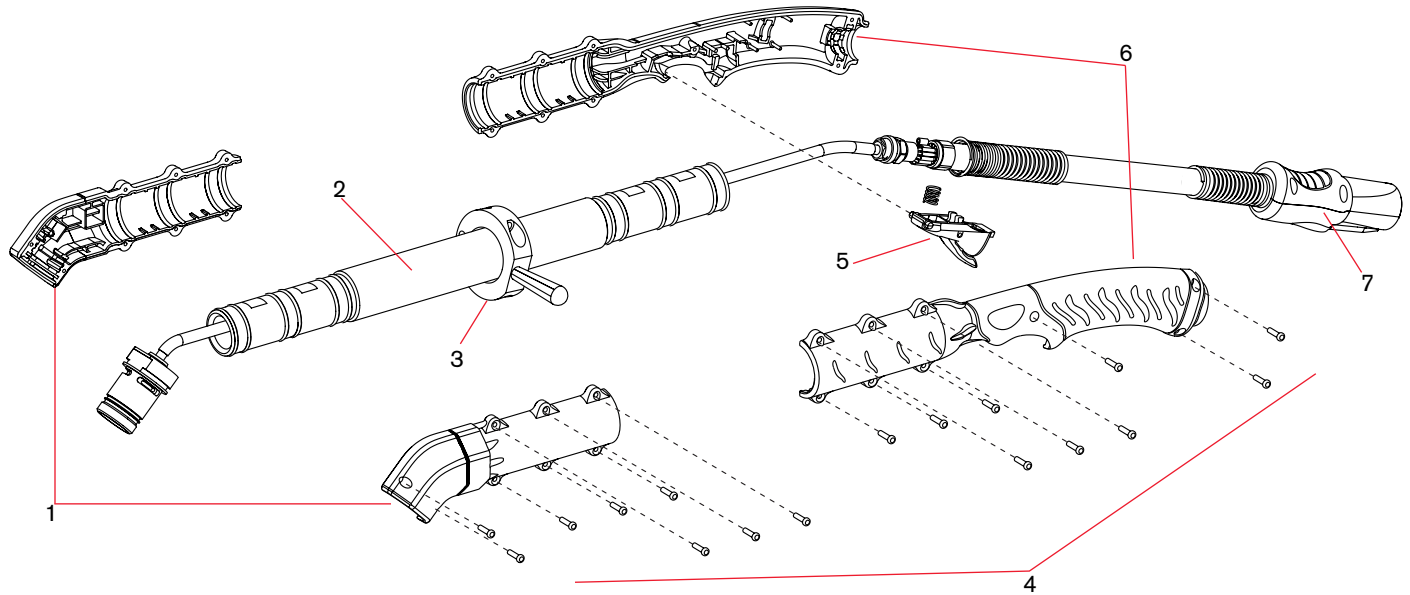
The entire Duramax Hyamp 45° long hand torch assembly with leads can be replaced, or individual component parts can be replaced. Please note Duramax Hyamp torches and consumables are also compatible for use with Powermax45 XP/65/85/105 systems.

Item	Kit/Part number	Description
	059562	Duramax Hyamp 45° long handheld torch assembly with 0.6 m (2') extension and 7.6 m (25') lead
	059579	Duramax Hyamp 45° long handheld torch assembly with 0.6 m (2') extension and 15 m (50') lead
	059567	Duramax Hyamp 45° long handheld torch assembly with 1.2 m (4') extension and 7.6 m (25') lead
	059581	Duramax Hyamp 45° long handheld torch assembly with 1.2 m (4') extension and 15 m (50') lead
	059667 <sup>1</sup>	Duramax Hyamp 45° long handheld torch assembly with 1.2 m (4') extension and 45.7 m (150') lead
1	428278	Kit: Duramax Hyamp 45° long handheld torch front shell
2	428280 <sup>2</sup>	Kit: Duramax Hyamp long handheld torch extension tube, 0.6 m (2')
2	428281 <sup>2</sup>	Kit: Duramax Hyamp long handheld torch extension tube, 1.2 m (4')
3	428286 <sup>3</sup>	Kit: Duramax Hyamp long handheld torch auxiliary handle (with screws)
4	428287	Kit: Duramax Hyamp torch handle screws
5	428156	Kit: Duramax Hyamp hand torch trigger (with spring)
6	428277	Kit: Duramax Hyamp long handheld torch handle
7	428260	Kit: Duramax and Duramax Hyamp torch FastConnect

<sup>1</sup>This torch is only compatible with Powermax125s built after November 14, 2017 (serial number 125-007944 or higher) or that have had the DSP board replaced with a board built after this date.

<sup>2</sup>The extension tubes cannot be used to convert a 0.6 m (2') torch to a 1.2 m (4') torch or to convert a 1.2 m (4') torch to a 0.6 m (2') torch.

<sup>3</sup>The auxiliary handle comes with the 1.2 m (4') torch; it can be ordered separately for the 0.6 m (2') torch.



See pages 64–65 for current system part number information.

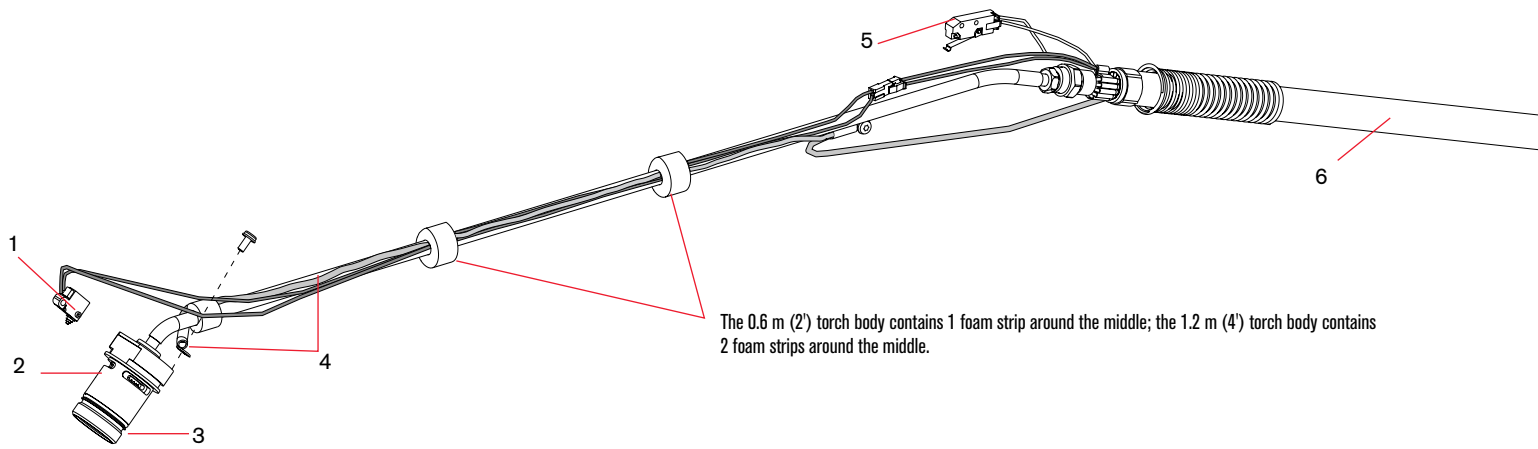
# Duramax® Hyamp™ 45° long hand torch replacement parts (continued)

For use with the Powermax125®

## Duramax® Hyamp™ 45° long hand torch assembly – internal components

Please note Duramax Hyamp torches and consumables are also compatible for use with Powermax45 XP/65/85/105 systems.

Item	Kit/Part number	Description
1	428288	Kit: Duramax Hyamp long handheld torch cap-sensor switch, 0.6 m (2')
1	428289	Kit: Duramax Hyamp long handheld torch cap-sensor switch, 1.2 m (4')
2	428282	Kit: Duramax Hyamp 45° long handheld torch body (torch head plus gas tube), 0.6 m (2') – includes pilot arc wire, cap-sensor switch, and foam strips
2	428284	Kit: Duramax Hyamp 45° long handheld torch body (torch head plus gas tube), 1.2 m (4') – includes pilot arc wire, cap-sensor switch, and foam strips
3	428253	Kit: Duramax Hyamp O-ring (5)
4	428290	Kit: Duramax Hyamp long handheld torch pilot arc wire (with screws), 0.6 m (2')
4	428291	Kit: Duramax Hyamp long handheld torch pilot arc wire (with screws), 1.2 m (4')
5	428162	Kit: Duramax Hyamp hand torch start switch
6	428159	Kit: Duramax and Duramax Hyamp hand torch lead, 7.6 m (25')
6	428160	Kit: Duramax and Duramax Hyamp hand torch lead, 15 m (50')
6	428762	Kit: Duramax Hyamp hand torch lead, 45.7 m (150')



# Duramax® Hyamp™ 90° long hand torch replacement parts

For use with the Powermax125®



## Duramax Hyamp 90° long hand torch assembly – external components

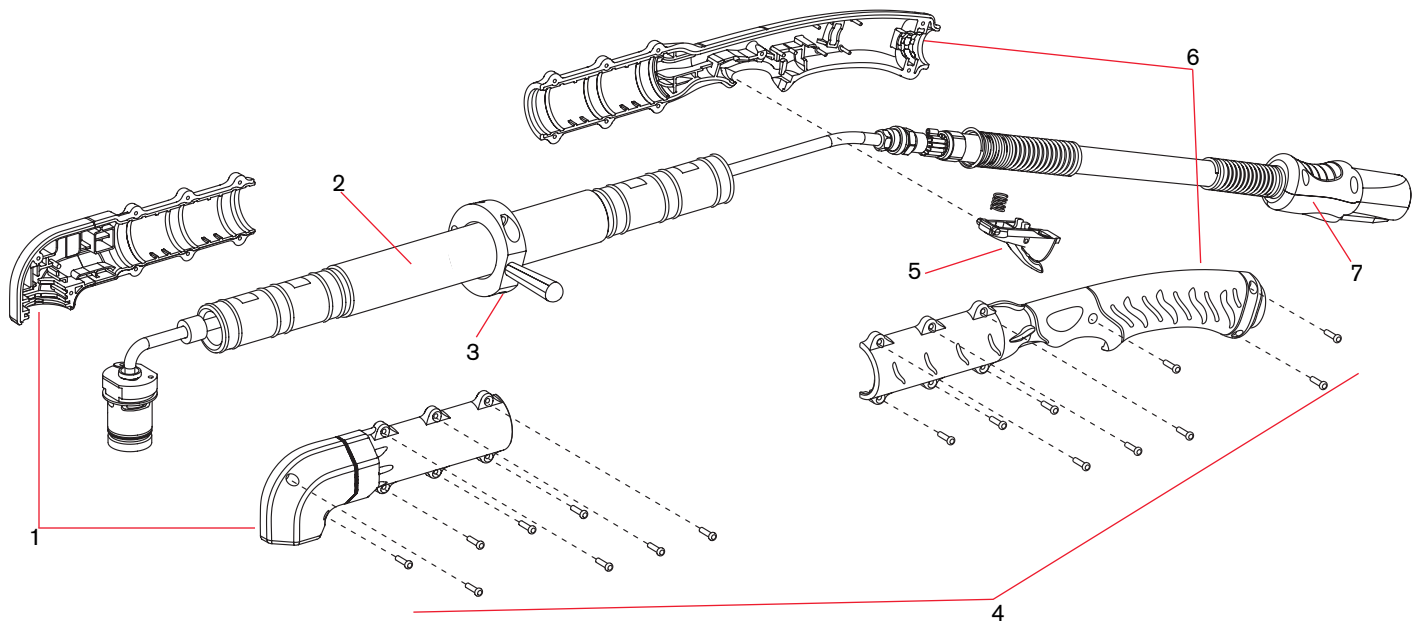
The entire Duramax Hyamp 90° long hand torch assembly with leads can be replaced, or individual component parts can be replaced. Please note Duramax Hyamp torches and consumables are also compatible for use with Powermax45 XP/65/85/105 systems.

Item	Kit/Part number	Description
	059563	Duramax Hyamp 90° long handheld torch assembly with 0.6 m (2') extension and 7.6 m (25') lead
	059580	Duramax Hyamp 90° long handheld torch assembly with 0.6 m (2') extension and 15 m (50') lead
	059568	Duramax Hyamp 90° long handheld torch assembly with 1.2 m (4') extension and 7.6 m (25') lead
	059582	Duramax Hyamp 90° long handheld torch assembly with 1.2 m (4') extension and 15 m (50') lead
	059668 <sup>1</sup>	Duramax Hyamp 90° long handheld torch assembly with 1.2 m (4') extension and 45.7 m (150') lead
	059623	Duramax Hyamp 90° long handheld torch assembly with 1.8 m (6') extension and 7.5 m (25') lead
	059624	Duramax Hyamp 90° long handheld torch assembly with 1.8 m (6') extension and 15 m (50') lead
1	428279	Kit: Duramax Hyamp 90° long handheld torch front shell
2	428280 <sup>2</sup>	Kit: Duramax Hyamp long handheld torch extension tube, 0.6 m (2')
2	428281 <sup>2</sup>	Kit: Duramax Hyamp long handheld torch extension tube, 1.2 m (4')
2	428820 <sup>2</sup>	Duramax Hyamp long handheld torch extension tube, 1.8 m (6')
3	428286 <sup>3</sup>	Kit: Duramax Hyamp long handheld torch auxiliary handle (with screws)
4	428287	Kit: Duramax Hyamp torch handle screws
5	428156	Kit: Duramax Hyamp hand torch trigger (with spring)
6	428277	Kit: Duramax Hyamp long handheld torch handle
7	428260	Kit: Duramax and Duramax Hyamp torch FastConnect

<sup>1</sup>This torch is only compatible with Powermax125s built after November 14, 2017 (serial number 125-007944 or higher) or that have had the DSP board replaced with a board built after this date.

<sup>2</sup>The extension tubes cannot be used to convert from one torch length to another torch length.

<sup>3</sup>The auxiliary handle comes with the 1.2 m (4') and 1.8m (6') torches; it can be ordered separately for the 0.6 m (2') torch.



See pages 64–65 for current system part number information.

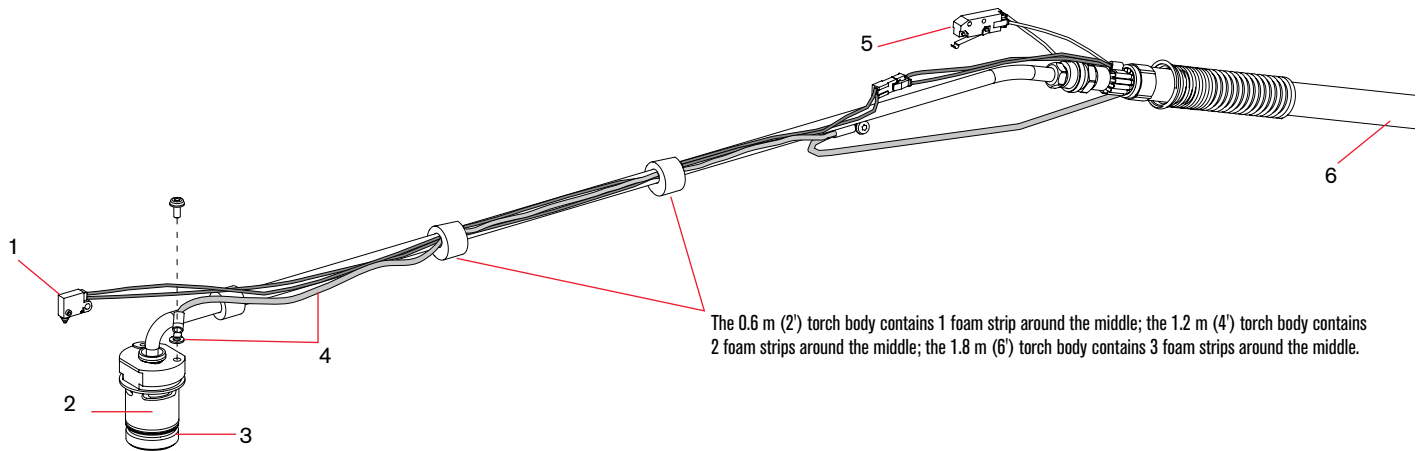
# Duramax® Hyamp™ 90° long hand torch replacement parts (continued)

For use with the Powermax125®

## Duramax® Hyamp™ 90° long hand torch assembly - internal components

Please note Duramax Hyamp torches and consumables are also compatible for use with Powermax45 XP/65/85/105 systems.

Item	Kit/Part number	Description
1	428288	Kit: Duramax Hyamp long handheld torch cap-sensor switch, 0.6 m (2')
1	428289	Kit: Duramax Hyamp long handheld torch cap-sensor switch, 1.2 m (4')
2	428283	Kit: Duramax Hyamp 90° long handheld torch body (torch head plus gas tube), 0.6 m (2 feet) - includes pilot arc wire, cap-sensor switch, and foam strips
2	428285	Kit: Duramax Hyamp 90° long handheld torch body (torch head plus gas tube), 1.2 m (4 feet) - includes pilot arc wire, cap-sensor switch, and foam strips
2	428822	Duramax Hyamp long handheld torch cap-sensor switch, 1.8 m (6')
2	428821	Duramax Hyamp 90° long handheld torch body (torch head plus gas tube), 1.8 m (6 feet) - includes pilot arc wire, cap-sensor switch, and foam strips
3	428253	Kit: Duramax Hyamp O-ring (5)
4	428290	Kit: Duramax Hyamp long handheld torch pilot arc wire (with screws), 0.6 m (2 feet)
4	428291	Kit: Duramax Hyamp long handheld torch pilot arc wire (with screws), 1.2 m (4 feet)
4	428823	Duramax Hyamp long handheld torch pilot arc wire (with screws), 1.8 m (6 feet)
5	428162	Kit: Duramax Hyamp hand torch start switch
6	428159	Kit: Duramax and Duramax Hyamp hand torch lead, 7.6 m (25 feet)
6	428160	Kit: Duramax and Duramax Hyamp hand torch lead, 15 m (50 feet)
6	428762	Duramax Hyamp hand torch lead, 45.7 m (150')







Model	Certification and voltage	Power supply includes	Power supply PN	Handheld torch configurations						
				75° or 85° hand torches				Full-length machine torches		
				15'	20'	25'	50'	w/remote pendant		
				25'	35'	50'				
Powermax125	CSA 480 V	PWR SPLY W/CPC PORT V-DIV BD	059488			059536	059537	059539	059540	
		PWR SPLY W/CPC PORT V-DIV BD/SER INTFC	059489							
	CSA 600 V	PWR SPLY W/CPC PORT V-DIV BD	059509			059546	059547	059553	059553	
		PWR SPLY W/CPC PORT V-DIV BD/SER INTFC	059510							
	CE 400 V	PWR SPLY W/CPC PORT V-DIV BD	059486			059526	059527	059530	059531	
		PWR SPLY W/CPC PORT V-DIV BD/SER INTFC	059487							
CCC 380 V	PWR SPLY W/CPC PORT V-DIV BD (No PWR CORD)	059490			059556	059557	059558			
	PWR SPLY W/CPC PORT V-DIV BD/SER INTFC (No PWR CORD)	059491								
Powermax105	CSA 200-600 V	PWR SPLY	059370			059374	059375			
		PWR SPLY W/CPC PORT V-DIV BD	059371			059376	059377	059378	059379	
		PWR SPLY W/CPC PORT V-DIV BD/SER INTFC	059372							
	CE 230-400 V	PWR SPLY	059390			059394	059395			
		PWR SPLY W/CPC PORT V-DIV BD	059391			059396	059397	059398	059399	
		PWR SPLY W/CPC PORT V-DIV BD/SER INTFC	059392							
	CE 400 V	PWR SPLY	059410			059414	059415			
		PWR SPLY W/CPC PORT V-DIV BD	059411			059416	059417	059418	059419	
	CCC 380 V	PWR SPLY W/CPC PORT V-DIV BD/SER INTFC	059412							
		PWR SPLY	059430			059434	059435			
PWR SPLY W/CPC PORT V-DIV BD		059431			059436	059437	059438	059439		
CCC/CE 380V, 230-400 V	PWR SPLY W/CPC PORT V-DIV BD/SER INTFC	059432								
	PWR SPLY/CPC/SERIAL/NO PWR CORD	059433								
		PWR SPLY/CPC/SERIAL/NO PWR CRD	059393							
Powermax85	CSA 200-600 V	PWR SPLY	087067			087108	087109			
		PWR SPLY W/CPC PORT V-DIV BD	087104			087113	087114	087115	087116	
		PWR SPLY W/CPC PORT V-DIV BD/SER INTFC	087105							
	CE 230-400 V	PWR SPLY	087068			087117	087118			
		PWR SPLY W/CPC PORT V-DIV BD	087106			087122	087123	087124	087125	
		PWR SPLY W/CPC PORT V-DIV BD/SER INTFC	087107							
Powermax65	CSA 200-600 V	PWR SPLY	083234			083270	083271			
		PWR SPLY W/CPC PORT V-DIV BD	083266			083275	083276	083277	083278	
		PWR SPLY W/CPC PORT V-DIV BD/SER INTFC	083267							
	CE 230-400 V	PWR SPLY	083235			083279	083280			
		PWR SPLY W/CPC PORT V-DIV BD	083268			083284	083285	083286	083287	
		PWR SPLY W/CPC PORT V-DIV BD/SER INTFC	083269							
Powermax45 XP	CSA 230 V	PWR SPLY	088092		088112	088114				
		PWR SPLY W/CPC PORT V-DIV BD	088104		088113	088115	088116	088117	088118	
		PWR SPLY W/CPC PORT V-DIV BD/SER INTFC	088105							
	CSA 480 V	PWR SPLY	088095		088126	088128				
		PWR SPLY W/CPC PORT V-DIV BD	088110		088127	088129				
		PWR SPLY W/CPC PORT V-DIV BD/SER INTFC	088111							
	CE/CCC 230 V	PWR SPLY	088093		088130	088132				
		PWR SPLY W/CPC PORT V-DIV BD	088106		088131	088133	088134	088135	088136	
	CE/CCC 400 V	PWR SPLY W/CPC PORT V-DIV BD/SER INTFC	088107							
		PWR SPLY	088094		088144	088146				
PWR SPLY W/CPC PORT V-DIV BD		088108		088145	088147	088148	088149	088150		
		PWR SPLY W/CPC PORT V-DIV BD/SER INTFC	088109							
Powermax30 XP	CSA 120-230 V	PWR SPLY W/BLD AMERICA GRAPHIC AND CASE		088079						
		PWR SPLY AND CASE		088080						
	CE 120-230 V CE 230 V	PWR SPLY		088081						
		PWR SPLY AND CASE		088082						
		PWR SPLY		088083						
		PWR SPLY		088084						
Powermax30 Air	CSA	PWR SPLY W/BLD AMERICA GRAPHIC		088096						
	120-230 V	PWR SPLY		088097						
	CE 120-230 V	PWR SPLY		088098						

Mechanized torch configurations					Torch combo configurations				Educational configurations	Accessory combo configurations
Full-length machine torches					75° or 85° hand torch plus		75° or 85° hand torch plus		Curriculum plus	Eliminizer filter and guard plus
w/ interface serial and standard cables		w/o remote pendant w/o interface cable			15° hand torch		Full-length machine torch w/remote pendant		75° or 85° hand torch	75° hand torch
25'	50'	25'	35'	50'	25' (20' for 75° on Powermax45 XP)	50'	25' (20' for 75° on Powermax45 XP)	50'	25'	25'
					059538	059569	059541		059571	
059544	059545	059542		059543			059554			
					059555	059570				
059548	059549	059550		059551			059559			
					059528	059572				
059534	059535	059532		059533			059529			
		059583		059584						
		059560		059561						
			059380	059381	059382	059383	059384		059385	
059386	059387									
			059400	059401	059402	059403	059404			
059406	059407									
			059420	059421	059422	059423	059424			
059426	059427									
			059440	059441	059442	059443	059444			
059446	059447									
059448	059449	059450		059451						
										087111
		087132		087137	087144	087145	087135		087126	
087138	087140									087120
		087131			087146	087147	087136			
087139	087141									
			083294	083302	083307	083308	083300		083288	083273
083303	083305									
			083293		083309	083310	083301			083282
083304	083306									
			088121	088122	088124		088123		088125	
088119	088120									
			088141						088138	
088139	088140									
			088155	088156					088152	
088153	088154									

# Powermax30®

## T30v hand torch consumables



Minimum order quantity		1	1	5	5	1	
Consumable type	Torch type	Amperage	Shield <sup>1</sup>	Retaining cap	Nozzle	Electrode	Swirl ring
Drag-cutting	Hand	30	220569	220483	220480	220478	220479

<sup>1</sup>Optional deflector may be used to help maintain torch-to-work distance or may be used as a guide when cutting with templates



Minimum order quantity		1	1	1	1	
Consumable type	Torch type	Retaining cap	Nozzle	Electrode	Swirl ring	
HyAccess drag-cutting (15-30 A)	Hand	420148	420144	420137	220670	
HyAccess gouging (15-30 A)			420147			
Quantity in kit		1	1	2	1	
HyAccess kit - 428337 (15-30 A)	Hand	420148	420144 (cutting)	420147 (gouging)	420137	420211
		HyAccess cutting only starter pack - 428443 <sup>4</sup>				
		HyAccess gouging only starter pack - 428444 <sup>5</sup>				



<sup>4</sup>Starter pack contains 1 retaining cap (420148), 1 cutting nozzle (420144) and 1 electrode (420137)

<sup>5</sup>Starter pack contains 1 retaining cap (420148), 1 gouging nozzle (420147) and 1 electrode (420137)



# T30v hand torch parts

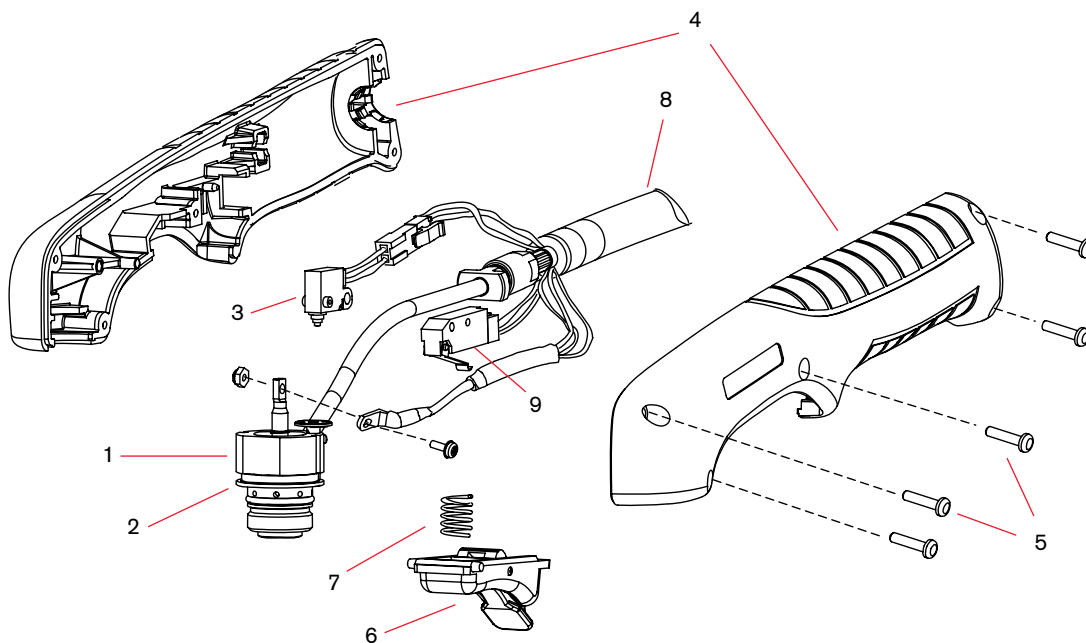
For use with the Powermax30®



## T30v hand torch parts

Item	Kit/Part number	Description
	088001 <sup>1</sup>	T30v hand torch assembly with 4.5 m (15') leads
1	228112	Kit: T30v main body
2	058503	O-ring: Viton .626 x .070
3	228109	Kit: Cap-off sensor
4	228111	Kit: T30v torch handle
5	075339	Handle screws
6	002244	Safety trigger
7	027254	Spring
8	228113	Kit: T30v 4.5 m (15') torch lead
9	128642	Kit: T30v start switch
	123868	Work lead with clamp, 4.5 m (15')

<sup>1</sup>Assembly includes consumables



# Powermax45®

## T45v/T45m hand/machine torch consumables



Minimum order quantity		1	1	5	5	1		
Consumable type	Torch type	Shield/deflector	Retaining cap	Nozzle	Electrode	Swirl ring		
Drag cutting (15–45 A)	Hand	220569 (30 A) <sup>1</sup>	220483 (30 A) <sup>1</sup>	220480 (30 A) <sup>1</sup>	220478 (30 A) <sup>1</sup>	220479 (30 A) <sup>1</sup>		
		220674 (45 A)	220713 (45 A)	220671 (45 A) <sup>2</sup>	220669 (45 A) <sup>2</sup>	220670 (45 A)		
Quantity in kit		2	1	1	6	7		
Essential cutting kit – 851478 CSA (15–45 A)	Hand	220674	220717 (Deflector) <sup>3</sup>	220713	220671	220718 (Unshielded)	220669	220670
Essential cutting kit – 851477 CE (15–45 A)					220671			
Combination kit 428442 <sup>4</sup>								



- <sup>1</sup>Use T30v 30 A consumables for fine feature cutting on thin metals.
- <sup>2</sup>Consumable available in bulk packaging. See order information below.
- <sup>3</sup>Components are unique to the CSA kit, part number 851478.
- <sup>4</sup>Kit contains 2 nozzles (220671) and 2 electrodes (220669).



Minimum order quantity		1	1	5	5	1
Consumable type	Torch type	Shield/deflector	Retaining cap	Nozzle	Electrode	Swirl ring
Mechanized (15–45 A)	Machine	220673 <sup>2</sup>	220713 or 220719 (ohmic)	220671 <sup>2</sup>	220669 <sup>2</sup>	220670

<sup>2</sup>Consumable available in bulk packaging. See order information below.



Minimum order quantity		1	1	5	5	1
Consumable type	Torch type	Shield/deflector	Retaining cap	Nozzle	Electrode	Swirl ring
Gouging <sup>5</sup> (15–45 A)	Hand/Machine	220675	220713	220672	220669 <sup>2</sup>	220670

<sup>2</sup>Consumable available in bulk packaging. See order information below.



Minimum order quantity		1	1	5	5	1
Consumable type	Torch type	Shield/deflector	Retaining cap	Nozzle	Electrode	Swirl ring
Unshielded <sup>3</sup> (15–45 A)	Hand/Machine	220717	220713	220718	220669 <sup>2</sup>	220670

<sup>2</sup>Consumable available in bulk packaging. See order information below.

<sup>3</sup>In countries following CE standards, unshielded consumables may only be used in mechanized applications.



Minimum order quantity		1	1	1	1	
Consumable type	Torch type	Retaining cap	Nozzle		Electrode	Swirl ring
HyAccess drag-cutting (15-45 A)	Hand	420148	420144		420137	220670
HyAccess gouging (15-45 A)			420147			
Quantity in kit		1	1	1	2	1
HyAccess kit - 428337 (15-45 A)	Hand	420148	420144 (cutting)	420147 (gouging)	420137	420211 <sup>4</sup>
		HyAccess cutting only starter pack - 428443 <sup>5</sup>				
		HyAccess gouging only starter pack - 428444 <sup>6</sup>				



<sup>4</sup>Part number 420211 is interchangeable with part number 220670  
<sup>5</sup>Starter pack contains 1 retaining cap (420148), 1 cutting nozzle (420144) and 1 electrode (420137)  
<sup>6</sup>Starter pack contains 1 retaining cap (420148), 1 gouging nozzle (420147) and 1 electrode (420137)

### T45v/T45m consumable bulk kits

Order quantity	25	25	10
Bulk kit part number	228843	228844	228845
Contents	220671 nozzle	220669 electrode	220673 shield



See pages 64-65 for current system part number information.

# T45v hand torch parts

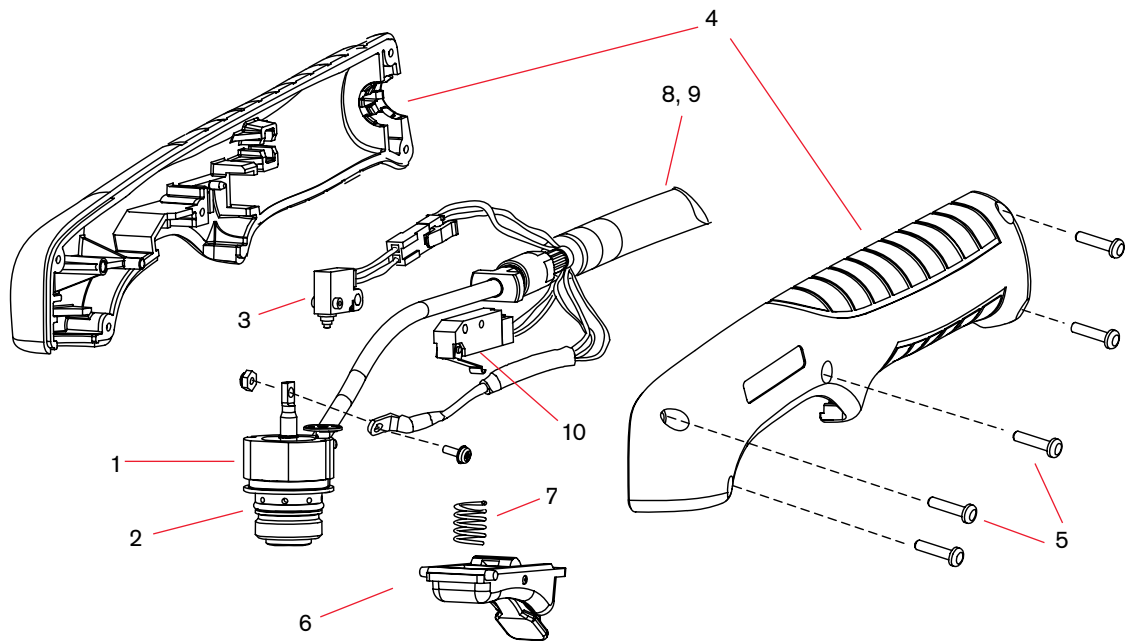
For use with the Powermax45®



## T45v hand torch parts

Item	Kit/Part number	Description
	088008 <sup>1</sup>	T45v hand torch assembly with 6.1 m (20') leads
	088009 <sup>1</sup>	T45v hand torch assembly with 15.2 m (50') leads
1	228346	Kit: Torch body replacement
2	058503	O-ring: torch body
3	228109	Kit: Cap-sensor switch replacement
4	228313	Kit: handle
5	075714	Handle screws
6	002244	Safety trigger assembly
7	027254	Spring
8	228315	Kit: Torch lead replacement, 6.1 m (20')
9	228316	Kit: Torch lead replacement, 15.2 m (50')
	228300	Work lead with clamp, 6.1 m (20')
	228307	Work lead with clamp, 15.2 m (50')
10	128642	Kit: T45v/T30v start switch replacement

<sup>1</sup>Assembly includes consumables.

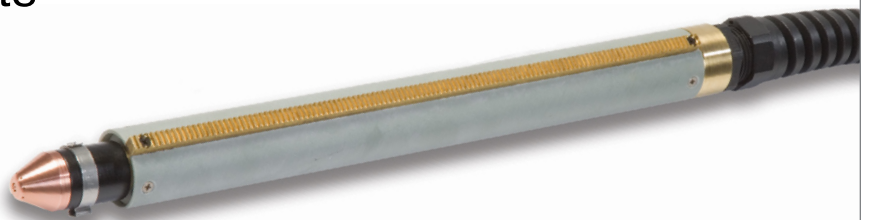


See pages 64–65 for current system part number information.



# T45m machine torch parts

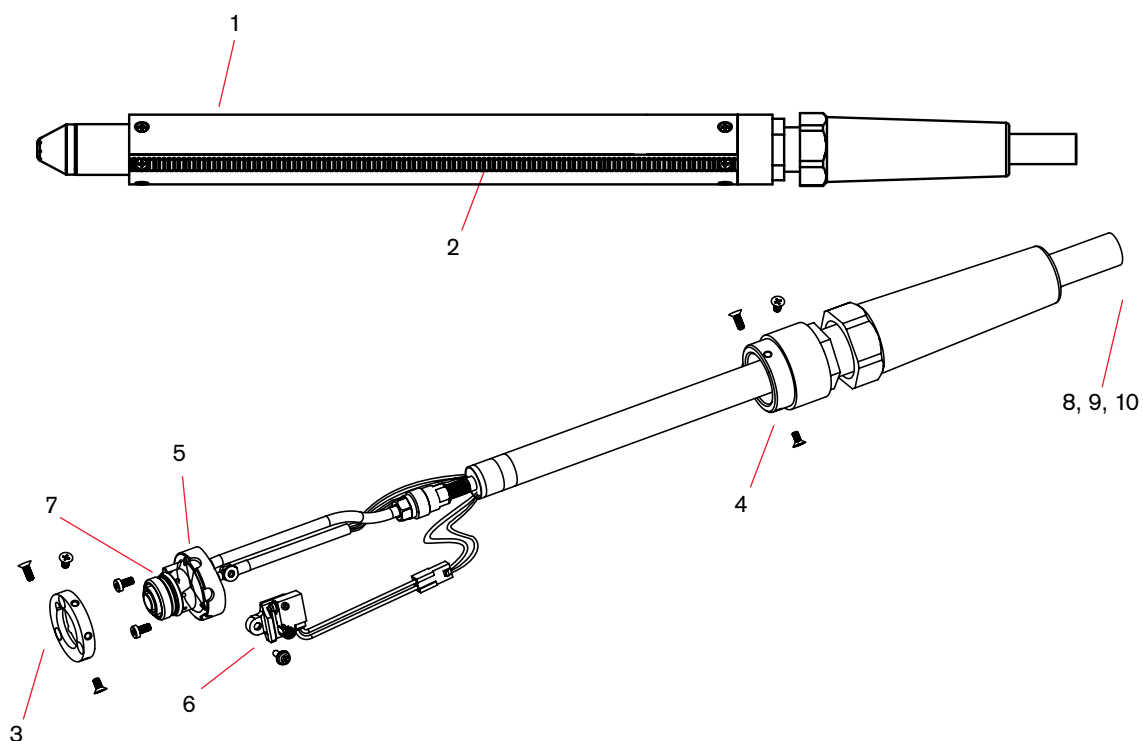
For use with the Powermax45®



## T45m machine torch parts

Item	Kit/Part number	Description
	088010 <sup>1</sup>	T45m machine torch assembly with 7.6 m (25') leads
	088011 <sup>1</sup>	T45m machine torch assembly with 10.7 m (35') leads
	088012 <sup>1</sup>	T45m machine torch assembly with 15.2 m (50') leads
1	228228	Kit: T45m positioning sleeve
2	228229	Kit: T45m removable gear rack
3	228322	Kit: Front mounting ring
4	228323	Kit: Rear mounting ring
5	228320	Kit: T45m torch body replacement
6	228321	Kit: T45m cap-sensor switch replacement
7	058503	O-ring: torch body
8	228317	T45m torch lead replacement, 7.6 m (25')
9	228318	T45m torch lead replacement, 10.7 m (35')
10	228319	T45m torch lead replacement, 15.2 m (50')
	128650	On/Off pendant for machine torch, 7.6 m (25')
	128651	On/Off pendant for machine torch, 15.2 m (50')
	128652	On/Off pendant for machine torch, 22.8 m (75')
	228300	Work lead with clamp, 6.1 m (20')
	228307	Work lead with clamp, 15.2 m (50')

<sup>1</sup>Assembly includes consumables.



See pages 64-65 for current system part number information.

# Powermax45®

## Duramax® hand/machine consumables

The Duramax torch series is an optional torch upgrade for Powermax45 systems.  
The following are the compatible consumables.



Minimum order quantity		1	1	5	5	1
Consumable type	Torch type	Shield/deflector	Retaining cap	Nozzle	Electrode	Swirl ring
Drag-cutting (15-45 A)	Hand	220818 <sup>2</sup>	220854	220941 <sup>2</sup>	220842 <sup>2</sup> or 220777 <sup>1,2</sup>	220857
Quantity in kit		2	1	7	7	1
Essential cutting kit - 851510 (15-45 A)	Hand	220818	220854	220941	220842	220857



<sup>1</sup>For longer consumable life when cutting metal 1/2 inch (12 mm) and under, check out the CopperPlus electrode (part number 220777).  
<sup>2</sup>Consumable available in bulk packaging. See order information below.



Minimum order quantity		1	1	5	5	1
Consumable type	Torch type	Shield/deflector	Retaining cap	Nozzle	Electrode	Swirl ring
Mechanized (15-45 A)	Machine	220817 <sup>2</sup> or 220955 <sup>3</sup>	220854 or 220953 ohmic	220941 <sup>2</sup>	220842 <sup>2</sup> or 220777 <sup>1,2</sup>	220857
Quantity in kit		2	1	7	4	3
Essential cutting kit - 851511 or 851512 (ohmic) (15-45 A)	Machine	220817	220955	220941	220842	220777

<sup>1</sup>For longer consumable life when cutting metal 1/2 inch (12 mm) and under, check out the CopperPlus electrode (part number 220777).  
<sup>2</sup>Consumable available in bulk packaging. See order information below.  
<sup>3</sup>Deflector for unshielded cutting.



Minimum order quantity		1	1	5	5	1
Consumable type	Torch type	Shield/deflector	Retaining cap	Nozzle	Electrode	Swirl ring
Max control gouging (15-45 A)	Hand/Machine	420480	220854	420419	220842	220857



Minimum order quantity		1	1	5	5	1
Consumable type	Torch type	Shield/deflector	Retaining cap	Nozzle	Electrode	Swirl ring
FineCut® (30–45 A)	Hand	220931	220854 or 220953 (ohmic)	220930 <sup>2</sup>	220842 <sup>2</sup>	220947
	Machine	220948 (ohmic) 220955				

<sup>2</sup>Consumable available in bulk packaging. See order information below.



Minimum order quantity		1	1	1	1	
Consumable type	Torch type	Retaining cap	Nozzle	Electrode	Swirl ring	
HyAccess™ drag-cutting (30–65 A)	Hand	420413	420410	420408	220857	
HyAccess gouging (30–65 A)			420412			
Quantity in kit		1	1	1	2	1
HyAccess kit – 428414 (30–65 A)	Hand	420413	420410 (cutting)	420412 (gouging)	420408	220857
		HyAccess cutting only starter pack – 428445 <sup>4</sup> HyAccess gouging only starter pack – 428446 <sup>5</sup>				

<sup>4</sup>Starter pack contains 1 retaining cap (420413), 1 cutting nozzle (420410) and 1 electrode (420408)

<sup>5</sup>Starter pack contains 1 retaining cap (420413), 1 gouging nozzle (420412) and 1 electrode (420408)



Minimum order quantity		1	1	1	5	1
Consumable type	Torch type	Retaining cap	Retaining ring	Nozzle/shield assembly	Electrode	Swirl ring
Duramax FlushCut™ (30–45 A) <sup>5</sup>	Hand/Machine	420536	420540	420633	420635 <sup>5</sup>	420634
Quantity in kit		1	1	1	1	1
FlushCut kit – 428746	Hand/Machine	420536	420540	420633	420635 <sup>5</sup>	420634

<sup>5</sup>Not for use with Duramax retrofit torches.

<sup>5</sup>The 45 A FlushCut process will only work with Electrode 420635. The standard 220842 electrodes and 220777 CopperPlus electrodes are not compatible with the 45 A FlushCut process.

### Duramax® consumable bulk kits

Order quantity	25	25	25	25	10	10
Bulk kit part number	228934	228767	228761	228765	228763	228764
Contents	220777 electrode	220842 electrode	220930 nozzle	220941 nozzle	220817 shield	220818 shield

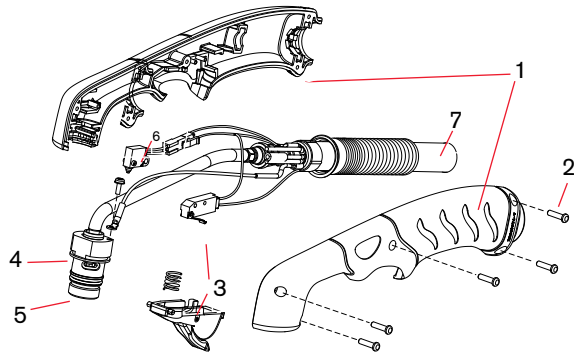


# Duramax® 75° hand torch parts

For use with the Powermax45®



## Duramax 75° hand torch assembly



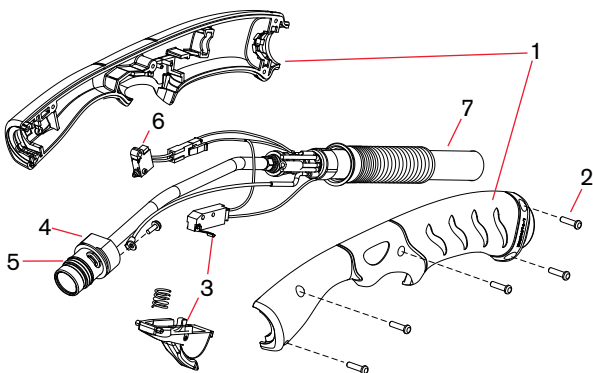
Item	Kit/Part number	Description
	059473	Duramax 75° hand torch assembly with 7.6 m (25') lead
	059474	Duramax 75° hand torch assembly with 15.2 m (50') lead
1	228954	Kit: Duramax 75°/HRT Torch handle replacement
2	075714	Handle screws, #4 x 1/2 slotted TORX pan head, S/B
3	228721	Kit: Duramax 75°/Duramax 15°/HRT/HRTs (spring and trigger assembly)
4	228714	Kit: Duramax 75° Torch main body replacement (3/8" coupler)
4	228958	Kit: Duramax 75° Torch main body replacement (1/2" coupler)
5	058519	O-ring
6	228719	Kit: Duramax 75° Cap-sensor switch replacement
7	228959	Kit: Duramax 75° Torch lead replacement, 7.6 m (25')
7	228960	Kit: Duramax 75° Torch lead replacement, 15.2 m (50')
	228300	Work lead with clamp, 6.1 m (20')
	228307	Work lead with clamp, 15.2 m (50')

# Duramax® 15° hand torch parts

For use with the Powermax45®



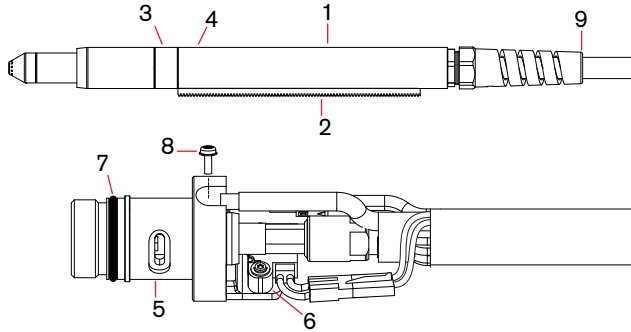
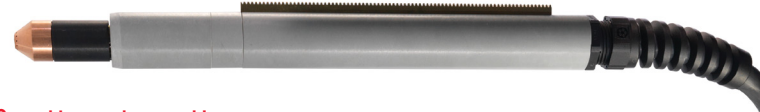
## Duramax 15° hand torch assembly



Item	Kit/Part number	Description
	059470	Duramax 15° hand torch assembly with 7.6 m (25') lead
	059471	Duramax 15° hand torch assembly with 15.2 m (50') lead
1	228955	Kit: Duramax 15° Torch handle replacement
2	075714	Handle screws, #4 x 1/2 slotted TORX pan head, S/B
3	228721	Kit: Duramax 15°/Duramax 75°/HRT/HRTs (spring and trigger assembly)
4	228715	Kit: Duramax 15° Torch main body replacement (3/8" coupler)
4	228957	Kit: Duramax 15° Torch main body replacement (1/2" coupler)
5	058519	O-ring
6	228109	Kit: Duramax 15° Cap-sensor switch replacement
7	228959	Kit: Duramax 15° Torch lead replacement, 7.6 m (25')
7	228960	Kit: Duramax 15° Torch lead replacement, 15.2 m (50')
	228300	Work lead with clamp, 6.1 m (20')
	228307	Work lead with clamp, 15.2 m (50')

# Duramax® 180° machine torch parts

For use with the Powermax45®

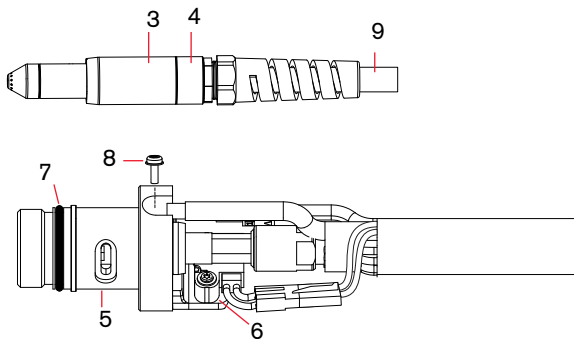


## Duramax 180° machine torch assembly

Item	Kit/Part number	Description
	059476	Duramax 180° machine torch assembly with 4.5 m (15') lead
	059477	Duramax 180° machine torch assembly with 7.6 m (25') lead
	059478	Duramax 180° machine torch assembly with 10.7 m (35') lead
	059479	Duramax 180° machine torch assembly with 15.2 m (50') lead
1	228737	Kit: Duramax 180° positioning sleeve
2	228738	Kit: Duramax 180° removable gear rack
3	228735	Kit: Duramax 180°/Duramax 180° torch front mounting sleeve
4	228736	Kit: Duramax 180°/Duramax 180° torch adapter ring (coupler)
5	228716	Kit: Duramax 180°/Duramax 180° torch main body replacement
6	228720	Kit: Cap-sensor switch replacement
7	058519	O-ring
8	075504	Pilot terminal screw
9	228730	Kit: Duramax 180°/Duramax 180° torch lead replacement, 4.5 m (15')
9	228731	Kit: Duramax 180°/Duramax 180° torch lead replacement, 7.6 m (25')
9	228732	Kit: Duramax 180°/Duramax 180° torch lead replacement, 10.7 m (35')
9	228733	Kit: Duramax 180°/Duramax 180° torch lead replacement, 15.2 m (50')
	228300	Work lead with clamp, 6.1 m (20')
	228307	Work lead with clamp, 15.2 m (50')

# Duramax® 180° mini machine torch parts

For use with the Powermax45®

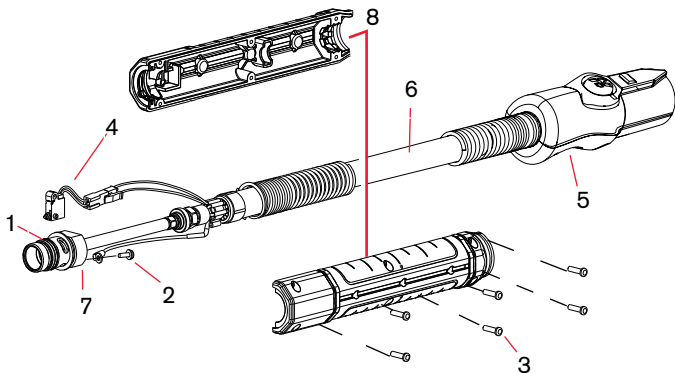


## Duramax 180° mini torch assembly

Item	Kit/Part number	Description
	059481	Duramax 180° mini machine torch assembly with 4.5 m (15') lead
	059482	Duramax 180° mini machine torch assembly with 7.6 m (25') lead
	059483	Duramax 180° mini machine torch assembly with 10.7 m (35') lead
3	220956	Kit: Duramax 180°/Duramax 180° mini torch front mounting sleeve
4	220808	Kit: Duramax 180°/Duramax 180° mini torch adapter ring (coupler)
5	228716	Kit: Duramax 180°/Duramax 180° mini torch main body replacement
6	228720	Kit: Cap-sensor switch replacement
7	058519	O-ring
8	075504	Pilot terminal screw
9	228730	Kit: Duramax 180°/Duramax 180° mini torch lead replacement, 4.5 m (15')
9	228731	Kit: Duramax 180°/Duramax 180° mini torch lead replacement, 7.6 m (25')
9	228732	Kit: Duramax 180°/Duramax 180° mini torch lead replacement, 10.7 m (35')
9	228733	Kit: Duramax 180°/Duramax 180° mini torch lead replacement, 15.2 m (50')
	228300	Work lead with clamp, 6.1 m (20')
	228307	Work lead with clamp, 15.2 m (50')

# Duramax® 180° robotic torch parts

For use with the Powermax45®



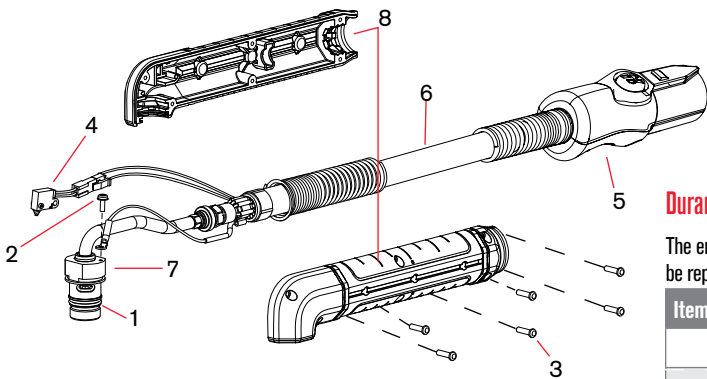
## Duramax 180° robotic torch assembly

The entire Duramax 180° robotic torch assembly with leads can be replaced, or individual component parts can be replaced.

Item	Kit/Part number	Description
	059466	180° Duramax robotic torch assembly with leads
1	058519	O-ring
2	075504	Pilot terminal screw
3	075714	#4 x 1/2 slotted TORX pan head screws
4	228109	Kit: Cap-sensor switch replacement
5	428260	Kit: FastConnect replacement
6	228852	Kit: Robotic torch lead replacement, 7.6 m (25')
7	228853	Kit: 180° Robotic torch main body replacement
8	228856	Kit: 180° Robotic torch positioning barrel replacement
	228806	Kit: Robotic torch clamp assembly

# Duramax® 90° robotic torch parts

For use with the Powermax45®



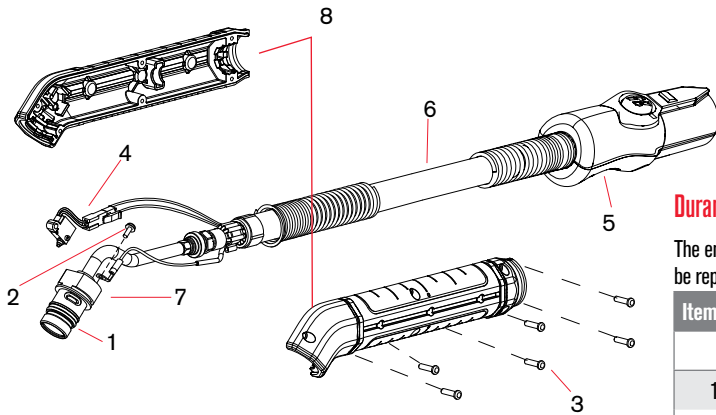
## Duramax 90° robotic torch assembly

The entire Duramax 90° robotic torch assembly with leads can be replaced, or individual component parts can be replaced.

Item	Kit/Part number	Description
	059465	90° Duramax robotic torch assembly with leads
1	058519	O-ring
2	075504	Pilot terminal screw
3	075714	#4 x 1/2 slotted TORX pan head screws
4	228109	Kit: Cap-sensor switch replacement
5	428260	Kit: FastConnect replacement
6	228852	Kit: Robotic torch lead replacement, 7.6 m (25')
7	228854	Kit: 90° Robotic torch main body replacement
8	228857	Kit: 90° Robotic torch positioning barrel replacement
	228806	Kit: Robotic torch clamp assembly

# Duramax® 45° robotic torch parts

For use with the Powermax45®



## Duramax 45° robotic torch assembly

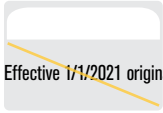
The entire Duramax 45° robotic torch assembly with leads can be replaced, or individual component parts can be replaced.

Item	Kit/Part number	Description
	059464	45° Duramax robotic torch assembly with leads
1	058519	O-ring
2	075504	Pilot terminal screw
3	075714	#4 x 1/2 slotted TORX pan head screws
4	228109	Kit: Cap-sensor switch replacement
5	428260	Kit: FastConnect replacement
6	228852	Kit: Robotic torch lead replacement, 7.6 m (25')
7	228855	Kit: 45° Robotic torch main body replacement
8	228858	Kit: 45° Robotic torch positioning barrel replacement
	228806	Kit: Robotic torch clamp assembly

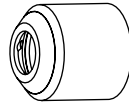
# Powermax380®

Effective 1/1/2021 original consumables and torch parts will be obsolete. See pages 64–65 for information on the Powermax30 XP as a system upgrade option.

## PAC110T hand torch consumables

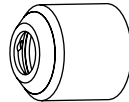


Effective 1/1/2021 original consumables will be obsolete.



Minimum order quantity			1	5	5	1
Consumable type	Torch type	Amperage	Retaining cap	Nozzle	Electrode	Swirl ring
Extended <sup>1</sup>	Hand	25	<del>220016</del>	<del>120504</del>	<del>020382</del>	<del>220013</del>

<sup>1</sup>In countries following CE standards, unshielded consumables may only be used in mechanized torch applications



Minimum order quantity			1	5	5	1
Consumable type	Torch type	Amperage	Retaining cap	Nozzle	Electrode	Swirl ring
FineCut	Hand	25	<del>220016</del>	<del>220331</del>	<del>020382</del>	<del>220013</del>





# PAC110T hand torch parts


For use with the Powermax380®

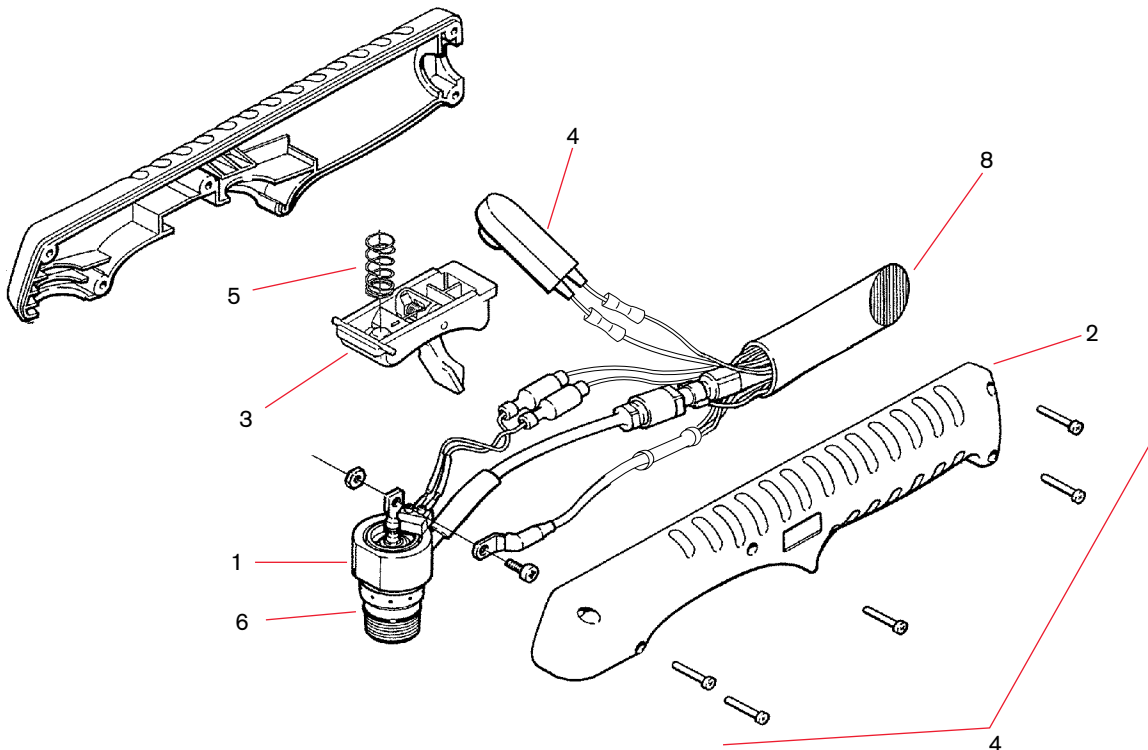


## PAC110T hand torch parts

Item	Part number	Description
	<del>070071</del>	<del>PAC110T hand torch assembly with 6.1 m (20') leads</del>
1	<del>120976</del>	<del>Torch main body with switch</del>
2	<del>001288</del>	<del>Handle (includes both halves)</del>
3	<del>002244</del>	<del>Safety trigger assembly</del>
4	<del>005202</del>	<del>Switch, torch pushbutton</del>
5	<del>027254</del>	<del>Trigger spring</del>
6	<del>058503</del>	<del>O-ring, Viton .625 x .870</del>
7	<del>075339</del>	<del>Screw #4 x 1/2", (five required)</del>
8	<del>060208</del>	<del>Torch lead replacement, 6.1 m (20')</del>
	<del>060169</del>	<del>Work lead with clamp, 4.5 m (15')</del>

\*Assembly includes consumables.

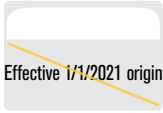
 Selected torches and repair parts are no longer available. System upgrade is recommended. See pages 64–65 for systems by amperage.



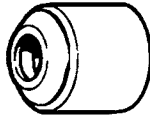
# Powermax350®

Effective 1/1/2021 original consumables and torch parts will be obsolete. See pages 64–65 for information on the Powermax30 XP as a system upgrade option.

## PAC110 hand torch consumables



Effective 1/1/2021 original consumables will be obsolete.



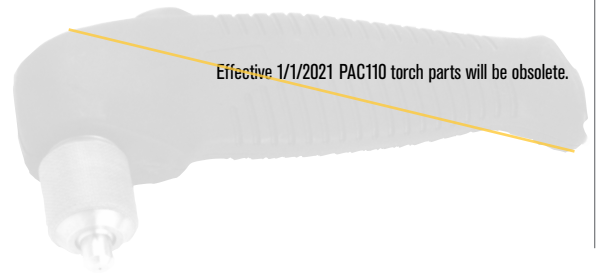
Minimum order quantity		1		5		5		1	
Consumable type	Torch type	Amperage	Retaining cap	Nozzle	Electrode	Swirl ring			
Extended <sup>1</sup>	Hand	25	<del>220016</del>	<del>120504</del>	<del>020382</del>	<del>220013</del>			

<sup>1</sup>In countries following CE standards, unshielded consumables may only be used in mechanized torch applications



# PAC110 hand torch parts


For use with the Powermax350®

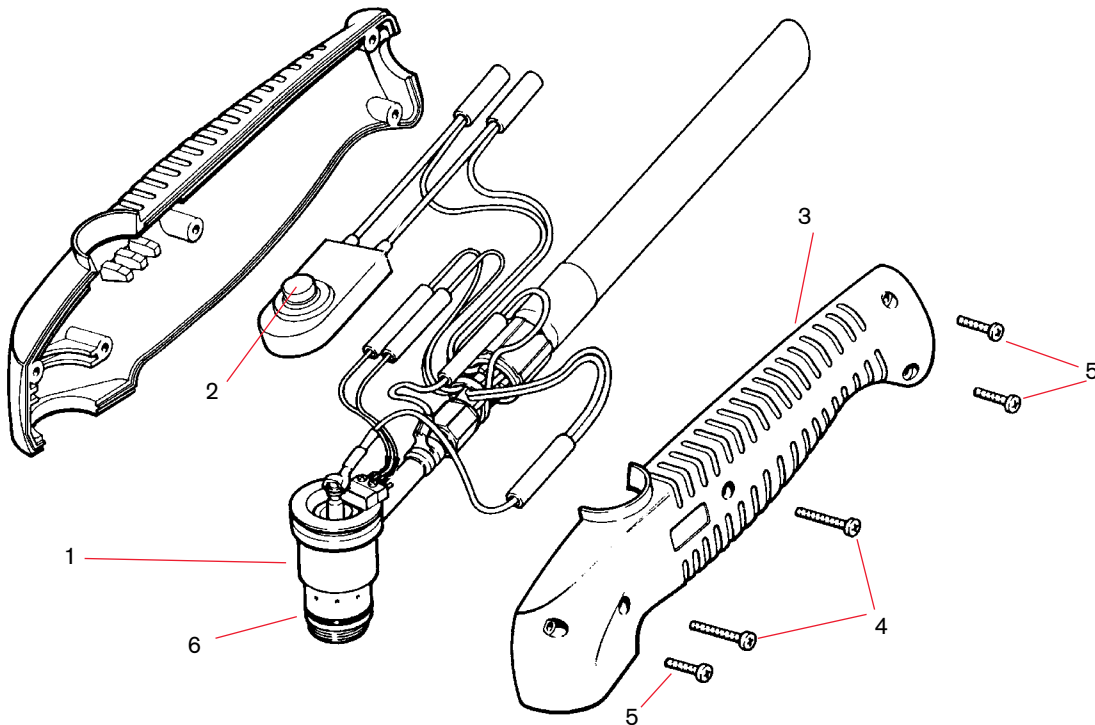


## PAC110 hand torch parts

Item	Part number	Description
	<del>070057</del>	<del>PAC110 hand torch assembly with 4.5 m (15') leads</del>
	<del>070058</del>	<del>PAC110 hand torch assembly with 7.6 m (25') leads</del>
	<del>070779</del>	<del>PAC110T hand torch replacement with 6.1 m (20') leads</del>
1	<del>020588</del>	<del>Torch main body with switch</del>
2	<del>005094</del>	<del>Switch, torch pushbutton</del>
3	<del>001192</del>	<del>Handle (includes both halves)</del>
4	<del>075341</del>	<del>Screw, #4 x 3/4" (two required)</del>
5	<del>075339</del>	<del>Screw, #4 x 1/2" (three required)</del>
6	<del>044016</del>	<del>O-ring, Buna - N 90 Duro</del>
	<del>029241</del>	<del>Torch leads, 4.5 m (15')</del>
	<del>029257</del>	<del>Torch leads, 7.6 m (25')</del>
	<del>060169</del>	<del>Work lead with clamp, 4.5 m (15')</del>

\*Assembly includes consumables.

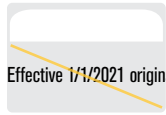
 Selected torches and repair parts are no longer available. System upgrade is recommended. See pages 64-65 for systems by amperage



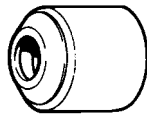
# MAX20®

Effective 1/1/2021 original consumables and torch parts will be obsolete. See pages 64–65 for information on the Powermax30 XP as a system upgrade option.

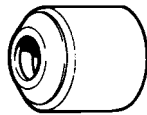
## PAC110 torch consumables



Effective 1/1/2021 original consumables will be obsolete.



Minimum order quantity		1		5		5		1	
Consumable type	Torch type	Amperage	Retaining cap	Nozzle	Electrode	Swirl ring			
Standard	Hand	20	<del>220016</del>	<del>020299</del>	<del>020220</del>	<del>220013</del>			



Minimum order quantity		1		5		5		1	
Consumable type	Torch type	Amperage	Retaining cap	Nozzle	Electrode	Swirl ring			
Extended <sup>1</sup>	Hand	20	<del>220016</del>	<del>120504</del>	<del>020382</del>	<del>220013</del>			

<sup>1</sup>In countries following CE standards, unshielded consumables may only be used in mechanized torch applications

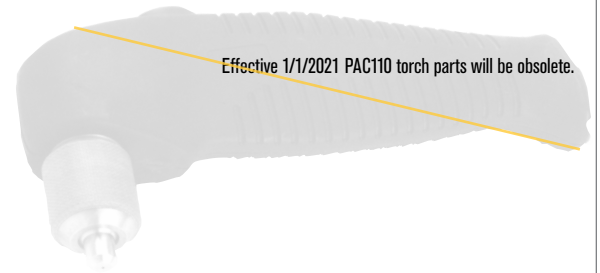


Selected consumables are no longer available.  
System upgrade is recommended. See pages 64–65  
for systems by amperage



# PAC110 hand torch parts


For use with the MAX20®

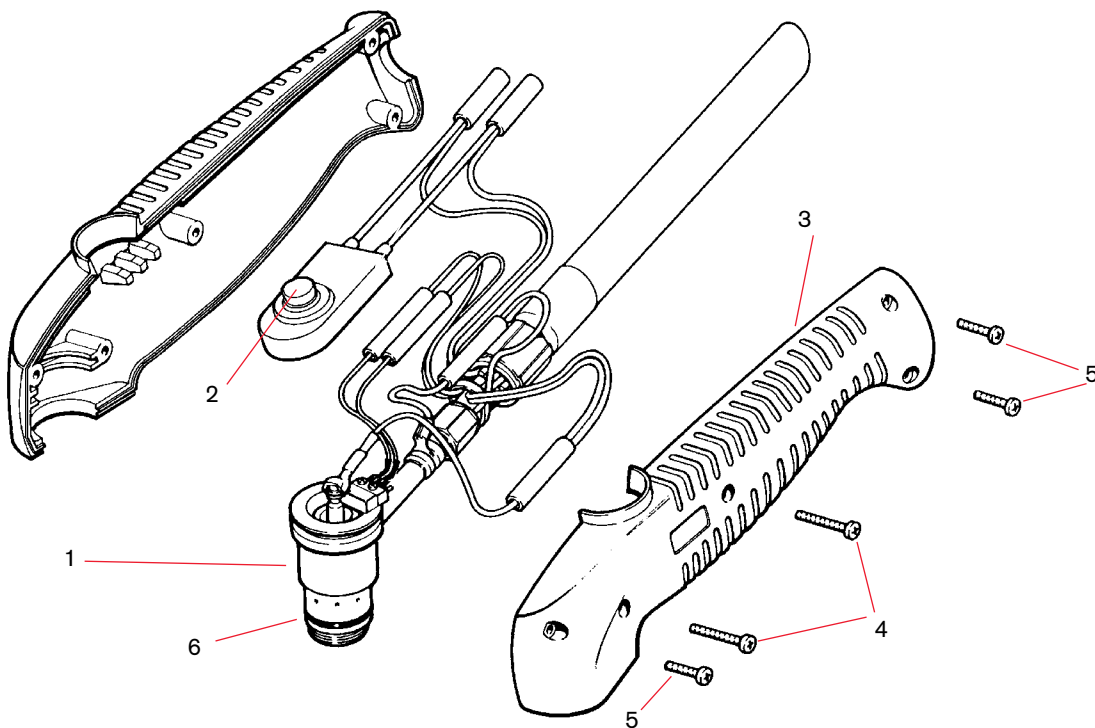


## PAC110 hand torch parts

Item	Part number	Description
	<del>079003</del>	<del>PAC110 torch assembly with 4.5 m (15') leads</del>
	<del>079014</del>	<del>PAC110 torch assembly with 7.6 m (25') leads</del>
1	<del>029588</del>	<del>Torch main body with switch</del>
2	<del>065094</del>	<del>Switch, torch pushbutton</del>
3	<del>001192</del>	<del>Handle (includes both halves)</del>
4	<del>075341</del>	<del>Screw, #4 x 3/4" (two required)</del>
5	<del>075339</del>	<del>Screw, #4 x 1/2" (three required)</del>
6	<del>044016</del>	<del>O-ring, Buna - N 90 Duro</del>
	<del>029241</del>	<del>Torch leads, 4.5 m (15')</del>
	<del>029257</del>	<del>Torch leads, 7.6 m (25')</del>
	<del>023269</del>	<del>Work lead with clamp, 4.5 m (15')</del>

<sup>1</sup>Assembly includes consumables.

 Selected torches and repair parts are no longer available. System upgrade is recommended. See pages 64–65 for systems by amperage



# Powermax190c®

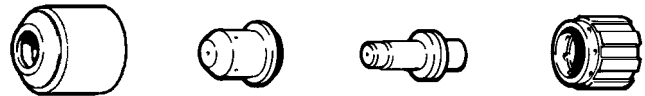
Effective 1/1/2021 torch service parts will be obsolete. See pages 64–65 for information on the Powermax30 AIR as a system upgrade option.

## PAC105T hand torch consumables

See pages 64–65 and page 8 for information on the new Powermax30 AIR system and consumables as an upgrade option for this legacy system with internal air compressor.



Minimum order quantity			1	1	5	5	1
Consumable type	Torch type	Amperage	Shield/Deflector	Retaining cap	Nozzle	Electrode	Swirl ring
Shielded	Hand	12	<del>120884</del>	<del>120898</del>	<del>120882</del>	<del>120881</del>	<del>120880</del>



Minimum order quantity			1	5	5	1
Consumable type	Torch type	Amperage	Retaining cap	Nozzle	Electrode	Swirl ring
Unshielded <sup>1</sup>	Hand	12	<del>120883</del>	<del>120882</del>	<del>120881</del>	<del>120880</del>

<sup>1</sup>In countries following CE standards, unshielded consumables may only be used in mechanized torch applications.

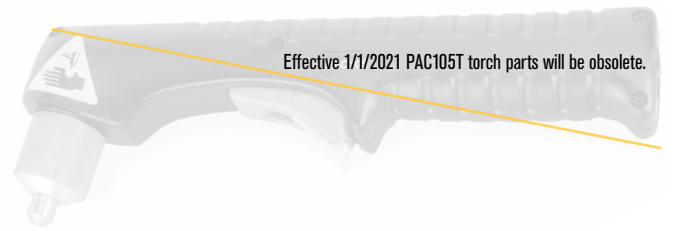
 Selected consumables are no longer available.



# PAC105T hand torch parts

Effective 1/1/2021 torch service parts will be obsolete. See pages 64–65 for information on the Powermax30® AIR as a system upgrade option.


For use with the Powermax190c®

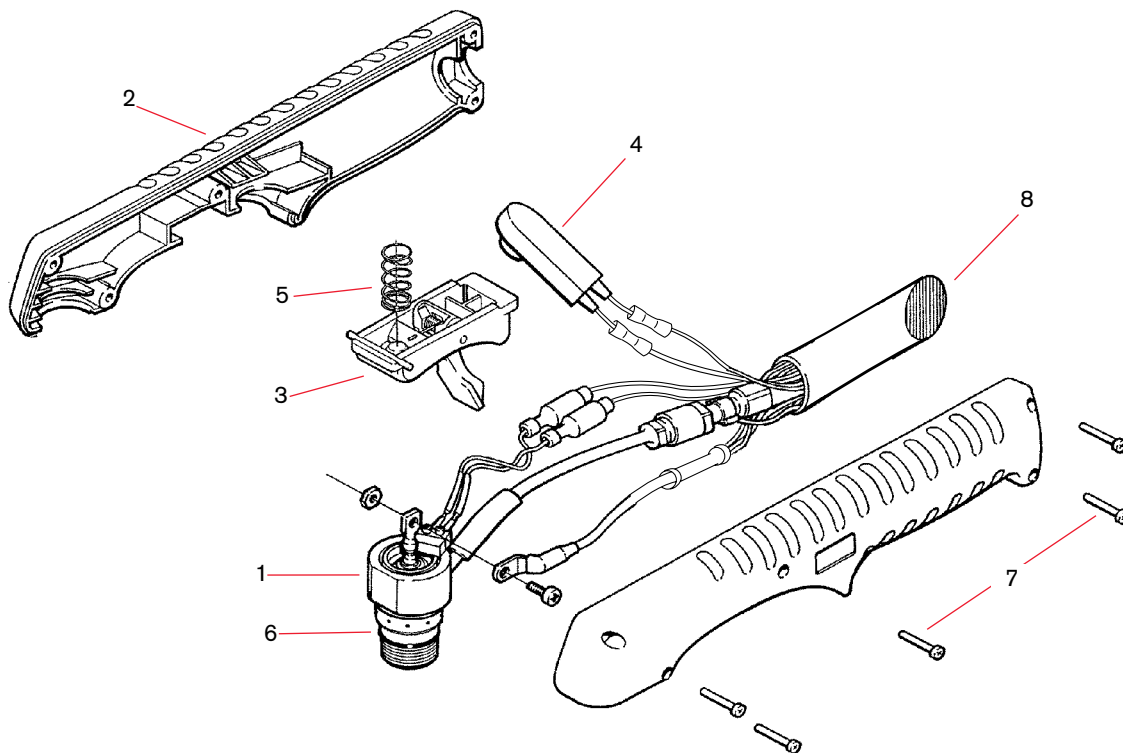


## PAC105T hand torch parts

Item	Part number	Description
	<del>128833</del>	<del>PAC105T torch assembly with 7.6 m (25') leads</del>
1	<del>129874</del>	<del>Torch main body with switch</del>
2	<del>001288</del>	<del>Handle (includes both halves)</del>
3	<del>062244</del>	<del>Safety trigger assembly</del>
4	<del>065202</del>	<del>Switch, torch pushbutton</del>
5	<del>027254</del>	<del>Trigger spring</del>
6	<del>058503</del>	<del>O-ring, Viton .625 x .870</del>
7	<del>075339</del>	<del>Screws #4 x 1/2" (five required)</del>
8	<del>128478</del>	<del>Torch lead replacement, 6.1 m (20')</del>
	<del>060133</del>	<del>Work lead with clamp 4.5 m (15')</del>

\*Assembly includes consumables.

 Selected torches and repair parts are no longer available. System upgrade is recommended. See pages 64–65 for systems by amperage



# Powermax600®

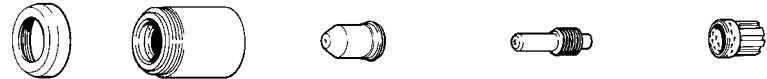
## PAC123T/PAC123M hand/machine torch consumables

See pages 64–65 for information on the Powermax45 XP as a system upgrade option.  
A Duramax® retrofit torch is available, see page 151.  
For the new consumables that work with the Duramax retrofit torch see pages 138–139.

Effective 1/1/2021 original consumables will be obsolete.

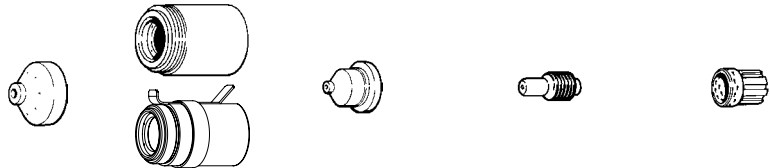


Minimum order quantity			1	1	5	5	1
Consumable type	Torch type	Amperage	Shield/Deflector	Retaining cap	Nozzle	Electrode	Swirl ring
Shielded	Hand	40	<del>120828</del>	<del>120600</del>	<del>120826</del>	<del>120573</del>	<del>120576</del>

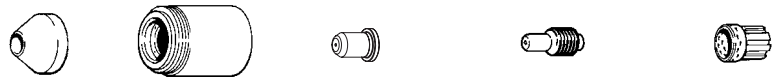


Minimum order quantity			1	1	5	5	1
Consumable type	Torch type	Amperage	Shield/Deflector	Retaining cap	Nozzle	Electrode	Swirl ring
Unshielded <sup>1</sup>	Hand/Machine	35	<del>120303</del>	<del>120600</del>	<del>120606</del>	<del>120574</del>	<del>120576</del>

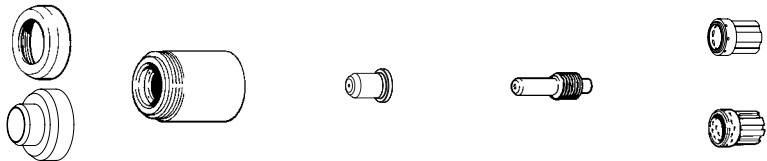
<sup>1</sup>In countries following CE standards, unshielded consumables may only be used in mechanized torch applications



Minimum order quantity			1	1	5	5	1
Consumable type	Torch type	Amperage	Shield/Deflector	Retaining cap	Nozzle	Electrode	Swirl ring
Mechanized	Machine	40	<del>120827</del>	<del>120600</del> <del>120964 (ohmic)</del>	<del>120826</del>	<del>120573</del>	<del>120576</del>



Minimum order quantity			1	1	5	5	1
Consumable type	Torch type	Amperage	Shield/Deflector	Retaining cap	Nozzle	Electrode	Swirl ring
Gouging	Hand/Machine		<del>120608</del>	<del>120600</del>	<del>120831</del>	<del>120573</del>	<del>120576</del>



Minimum order quantity			1	1	5	5	1
Consumable type	Torch type	Amperage	Shield/Deflector	Retaining cap	Nozzle	Electrode	Swirl ring
FineCut®	Hand	40	<del>120303</del>				<del>220332</del>
	Hand	40 CE	<del>220326</del>				<del>220332</del>
	Machine	40	<del>120303</del>	<del>120600</del>	<del>220330</del>	<del>120574</del>	<del>120576</del>
	Machine	40 CE	<del>220326</del>				<del>120576</del>

Selected consumables are no longer available.  
System or torch upgrade is recommended.





# PAC123T hand torch parts

A Duramax retrofit torch is available, see page 151. For the new consumables that work with the Duramax® retrofit torch see page 138-139.

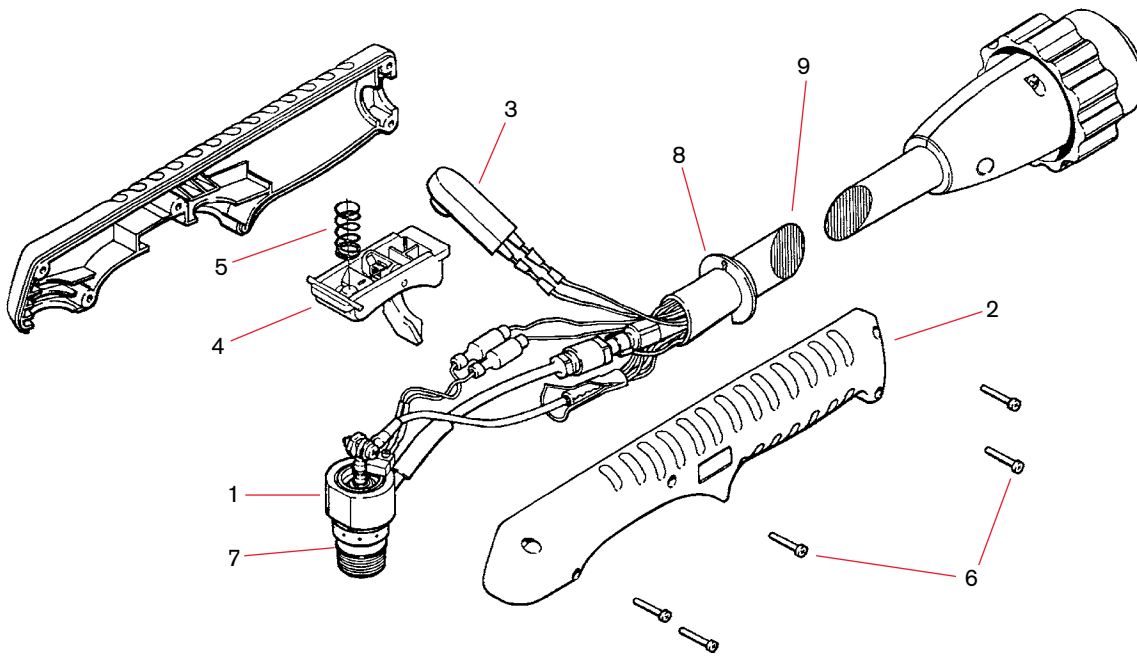
For use with the Powermax600®



Effective 1/1/2021 PAC123T torch parts will be obsolete.

## PAC123T hand torch parts

Item	Part number	Description
1	120570	Torch main body with switch
2	001288	Handle (includes both halves)
3	128377	Kit: Switch repair
4	002244	Safety trigger assembly
5	027254	Trigger spring
6	075339	Screw, #4 x 1/2" (five required)
7	044016	O-ring, Buna - N 90 Duro
8	004764	Retaining ring, Gutcha
	123375	Work lead with clamp, 4.5 m (15')
	128379	Work lead with clamp, 15.2 m (50')
9	129476	Torch leads w/o QD, 7.6 m (25')
	129600	Torch leads with QD, 7.6 m (25')



# PAC123M machine torch parts

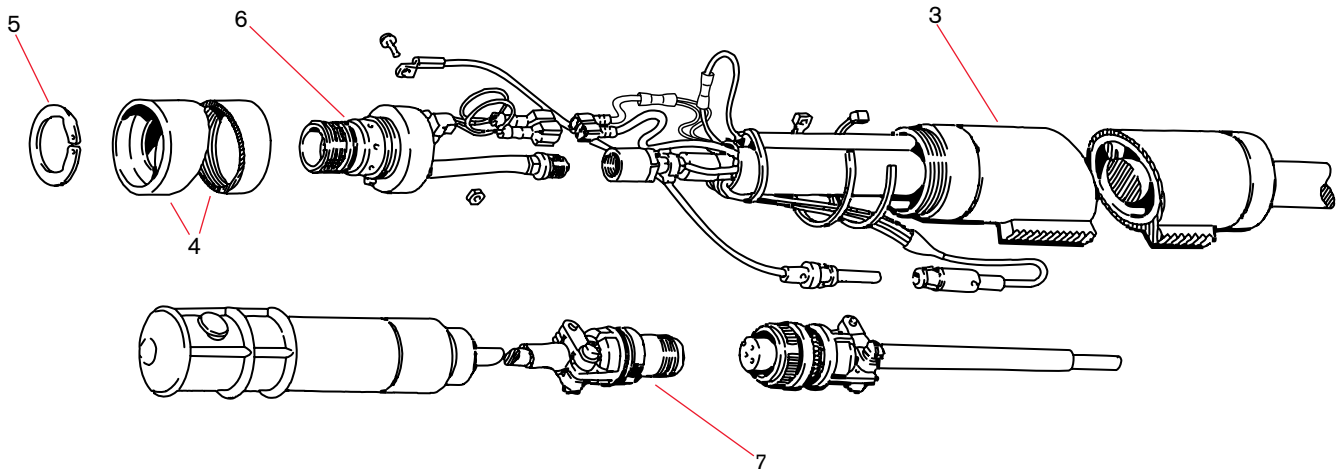
A Duramax retrofit torch is available, see page 151. For the new consumables that work with the Duramax® retrofit torch see page 138-139.

For use with the Powermax600®



## PAC123M machine torch parts

Item	Part number	Description
3	020620	Torch positioning sleeve
4	120613	Torch sleeve
5	027599	Snap ring
6	044016	O-ring, Buna - N 90 Duro
7	028714	On/Off pendant, 7.6 m (25')
7	128061	On/Off pendant, 15.2 m (50')
7	128062	On/Off pendant, 22.8 m (75')
	123375	Work lead with clamp, 4.5 m (15')
	128379	Work lead with clamp, 15.2 m (50')



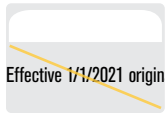


# MAX40cs/42/43®

## PAC120/PAC121P/PAC121TS/PAC125T hand/machine torch consumables

A label located on the torch handle indicates whether the torch is a PAC121TS or PAC125T

Effective 1/1/2021 original consumables will be obsolete. See pages 64–65 for information on the Powermax45 XP system as an upgrade option.

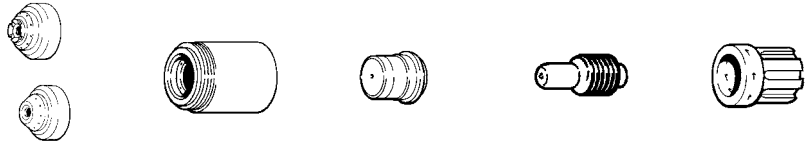


Effective 1/1/2021 original consumables will be obsolete.



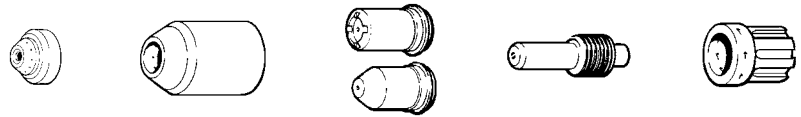
Minimum order quantity			1	1	5	5	1
Consumable type	Torch type	Amperage	Shield/Deflector	Retaining cap	Nozzle <sup>1</sup>	Electrode	Swirl ring <sup>1</sup>
Standard	Hand/Machine	40		<del>020930</del>	<del>020350</del>	<del>120573</del>	<del>020361</del>

<sup>1</sup>Nozzles and swirl rings shown must be used as a set



Minimum order quantity			1	1	5	5	1
Consumable type	Torch type	Amperage	Shield/Deflector	Retaining cap	Nozzle <sup>1</sup>	Electrode	Swirl ring <sup>1</sup>
Shielded	Hand	40	<del>120601</del>	<del>120600</del>	<del>120438</del>	<del>120573</del>	<del>020361</del>
	Machine	40	<del>120602</del>				

<sup>1</sup>Nozzles and swirl rings shown must be used as a set



Minimum order quantity			1	1	5	5	1
Consumable type	Torch type	Amperage	Shield/Deflector	Retaining cap	Nozzle <sup>1</sup>	Electrode	Swirl ring <sup>1</sup>
Extended <sup>2</sup>	Extended	40		<del>020930</del>	<del>020546</del>	<del>120574</del>	<del>020361</del>
	Pipe saddle	40			<del>120023</del>		

<sup>1</sup>Nozzles and swirl rings shown must be used as a set

<sup>2</sup>In countries following CE standards, unshielded consumables may only be used in mechanized torch applications



Minimum order quantity			1	1	5	5	1
Consumable type	Torch type	Amperage	Shield/Deflector	Retaining cap	Nozzle	Electrode	Swirl ring
Gouging	Hand/Machine			<del>020930</del>	<del>020539</del>	<del>120573</del>	<del>020361</del>

Selected consumables are no longer available. System or torch upgrade is recommended.

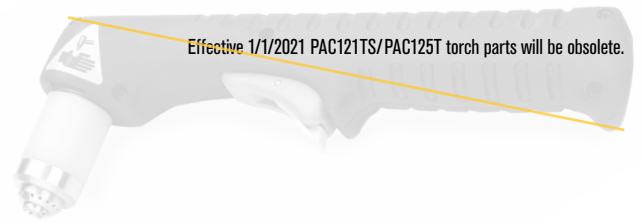


# PAC121TS/PAC125T hand torch parts

A Duramax® retrofit torch is available for the MAX42/43, see page 151. For the new consumables that work with the Duramax retrofit torch see page 138-139.

## For use with the MAX40cs/42/43®

A label located on the torch handle indicates whether the torch is a PAC121TS or PAC125T



## PAC121TS hand torch parts


PAC torch assemblies for this system are no longer available for purchase. A Duramax® retrofit torch with new consumables is available for MAX42/43 (see pages 132-134).

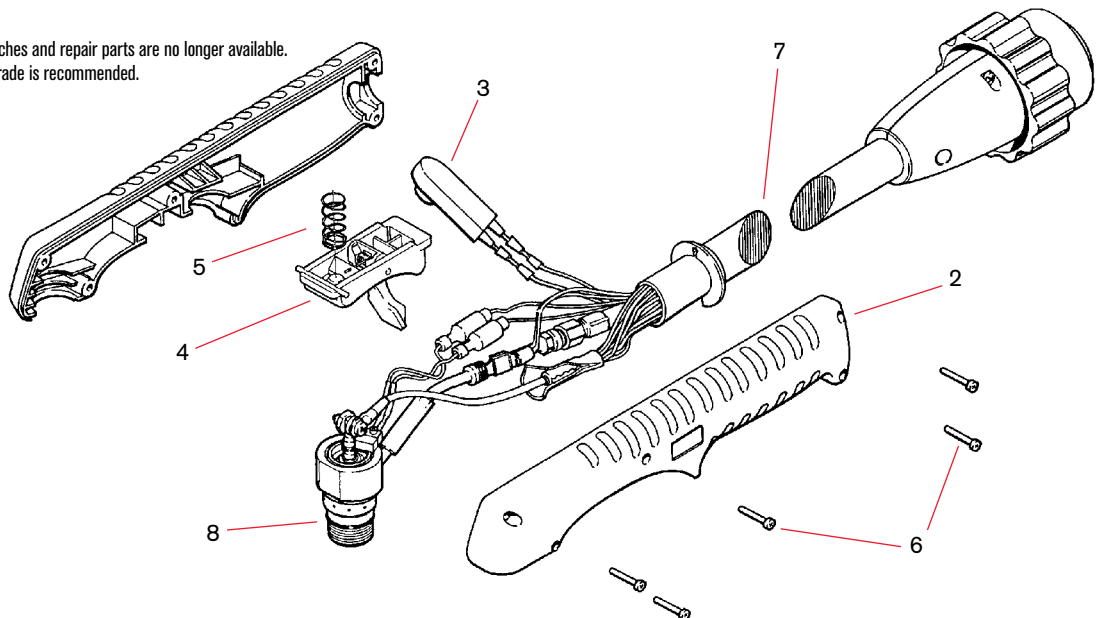
Item	Part number	Description
7	<del>029556</del>	<del>MAX40cs torch leads without QD 7.6 m (25')</del>
7	<del>029557</del>	<del>MAX40cs torch leads without QD 15.2 m (50')</del>
2	<del>001288</del>	<del>Handle (includes both halves)</del>
3	<del>128284</del>	<del>Switch, torch pushbutton, kit, HNDTCH, PBSW RPR</del>
4	<del>002244</del>	<del>Safety trigger assembly</del>
5	<del>027254</del>	<del>Safety trigger spring</del>
6	<del>075340</del>	<del>Screw, #4 x 5/8" (five required)</del>
8	<del>044016</del>	<del>O-ring, Buna - n 90 Duro</del>
	<del>023452</del>	<del>MAX43 work lead with clamp, 4.5 m (15')</del>
	<del>023415</del>	<del>MAX40cs work lead with clamp, 4.5 m (15')</del>
	<del>023205</del>	<del>MAX42 work lead with clamp, 4.5 m (15')</del>

## PAC125T hand torch parts

PAC torch assemblies for this system are no longer available for purchase. A Duramax retrofit torch with new consumables is available for MAX42/43 (see pages 132-134)

Item	Part number	Description
2	<del>001288</del>	<del>Handle (includes both halves)</del>
3	<del>128284</del>	<del>Switch, torch pushbutton, kit, HNDTCH, PBSW RPR</del>
4	<del>002244</del>	<del>Safety trigger assembly</del>
5	<del>027254</del>	<del>Safety trigger spring</del>
6	<del>075340</del>	<del>Screw, #4 x 5/8" (five required)</del>
8	<del>044016</del>	<del>O-ring, Buna - n 90 Duro</del>
	<del>023452</del>	<del>MAX43 work lead with clamp, 4.5 m (15')</del>
	<del>023415</del>	<del>MAX40cs work lead with clamp, 4.5 m (15')</del>
	<del>023205</del>	<del>MAX42 work lead with clamp, 4.5 m (15')</del>

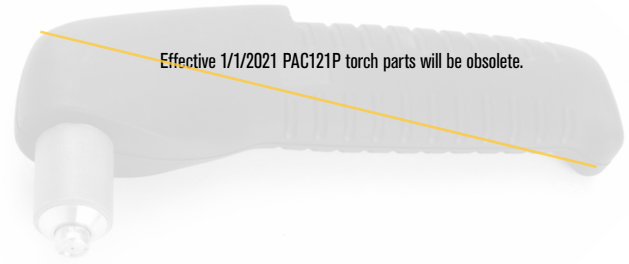
 Selected torches and repair parts are no longer available. System upgrade is recommended.



# PAC121P hand torch parts

A Duramax® retrofit torch is available for the MAX42/43, see page 151. For the new consumables that work with the Duramax retrofit torch see page 138-139.

For use with the MAX40cs/42/43®




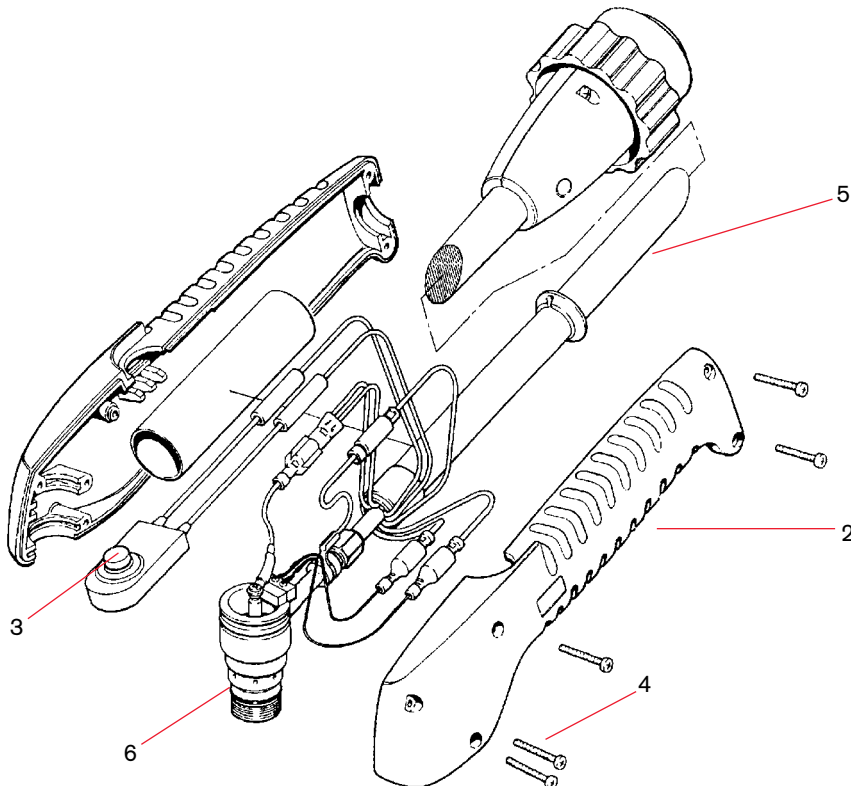
## PAC121P hand torch parts

PAC torch assemblies for this system are no longer available for purchase. A Duramax® retrofit torch with new consumables is available for MAX42/43 (see pages 132-134)

Item	Part number	Description
	<del>057176</del>	<del>MAX40cs hand torch assembly without QD 7.6 m (25') leads</del>
	<del>057177</del>	<del>MAX40cs hand torch assembly without QD 15.2 m (50') leads</del>
5	<del>029483</del>	<del>MAX40cs torch leads without QD 7.6 m (25')</del>
5	<del>029484</del>	<del>MAX40cs torch leads without QD 15.2 m (50')</del>
2	001215	Handle (includes both halves)
3	005094	Switch, torch pushbutton
4	075365	Screw, #6 x 3/4" (five required)
6	044016	O-ring, Buna - N 90 Duro
	<del>023452</del>	<del>MAX43 work lead with clamp, 4.5 m (15')</del>
	<del>023415</del>	<del>MAX40cs work lead with clamp, 4.5 m (15')</del>
	<del>023205</del>	<del>MAX42 work lead with clamp, 4.5 m (15')</del>

<sup>1</sup>Assembly includes consumables.

 Selected torches and repair parts are no longer available. System upgrade is recommended.





Hypertherm

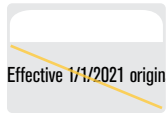
65A

powermax 65

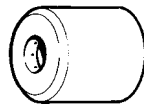
# MAX40<sup>®</sup> / HT40<sup>®</sup>

Effective 1/1/2021 original consumables will be obsolete. See pages 64–65 for information on the Powermax45<sup>®</sup> XP as a system upgrade option.

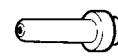
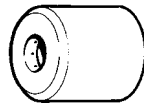
## PAC140/MAX40/HT40 hand/machine torch consumables



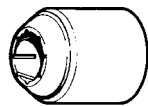
Effective 1/1/2021 original consumables will be obsolete.



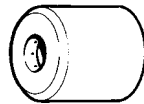
Minimum order quantity			1	5	5	1
Consumable type	Torch type	Amperage	Retaining cap	Nozzle	Electrode	Swirl ring
Standard – Air	Hand/Machine		<del>020104</del>	<del>020115</del>	<del>020103</del>	<del>020101</del>
Standard – Nitrogen (N <sub>2</sub> )	Hand/Machine				<del>020167</del>	



Minimum order quantity			1	5	5	1
Consumable type	Torch type	Amperage	Retaining cap	Nozzle	Electrode	Swirl ring
Extended – Air	Hand/Machine –Extended		<del>020104</del>	<del>020466</del>	<del>020467</del>	<del>020101</del>



Minimum order quantity			1	5	5	1
Consumable type	Torch type	Amperage	Retaining cap	Nozzle	Electrode	Swirl ring
Tapered – Air	Hand/Machine		<del>020200</del>	<del>020197</del>	<del>020103</del>	<del>020101</del>
Tapered – Nitrogen (N <sub>2</sub> )	Hand/Machine				<del>020167</del>	



Order quantity			1	5	5	1
Consumable type	Torch type	Amperage	Retaining cap	Nozzle	Electrode	Swirl ring
Gouging – Air	Hand/Machine		<del>020104</del>	<del>020340</del>	<del>020103</del>	<del>020101</del>
Gouging – Nitrogen (N <sub>2</sub> )	Hand/Machine				<del>020167</del>	

Selected consumables are no longer available. System upgrade is recommended.

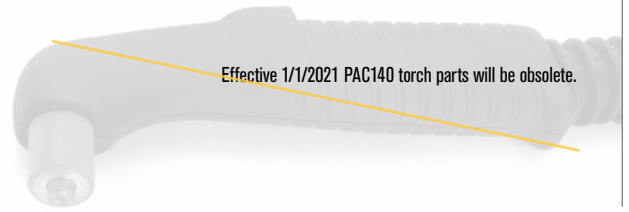




# PAC140 hand torch parts

Effective 1/1/2021 torch parts will be obsolete. See pages 64-65 for information on the Powermax45® XP as a system upgrade option.


For use with the MAX40/HT40®

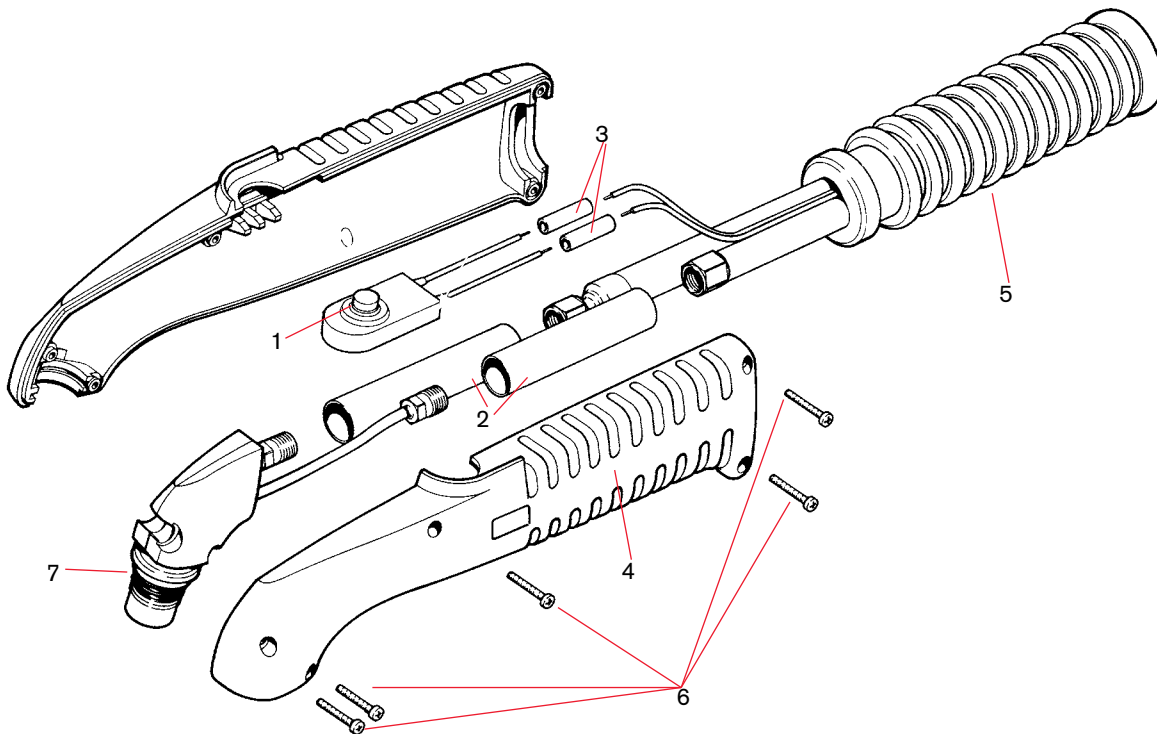


## PAC140 hand torch parts

Item	Part number	Description
	<del>057112</del>	<del>Torch assembly with 7.6 m (25') leads</del>
	<del>057113</del>	<del>Torch assembly with 15.2 m (50') leads</del>
1	005094	Switch, torch pushbutton
2	020536	Lead insulator (two required)
	020479	Torch main body
3	074069	Splice, butt, insulated (two required)
4	001214	Handle (includes both halves)
5	001260	Boot
6	075365	Screw #6 x 3/4" (five required)
7	044016	O-ring, Buna - n 50 Duro
	<del>029129</del>	<del>Torch leads, 7.6 m (25')</del>
	<del>029130</del>	<del>Torch leads, 15.2 m (50')</del>
	<del>023205</del>	<del>Work lead with clamp, 4.5 m (15')</del>

\*Assembly includes consumables.

 Selected torches and repair parts are no longer available. System upgrade is recommended.



# MAX40<sup>®</sup>/HT40<sup>®</sup> machine torch parts


Effective 1/1/2021 torch parts will be obsolete. See pages 64-65 for information on the Powermax45<sup>®</sup> XP as a system upgrade option.

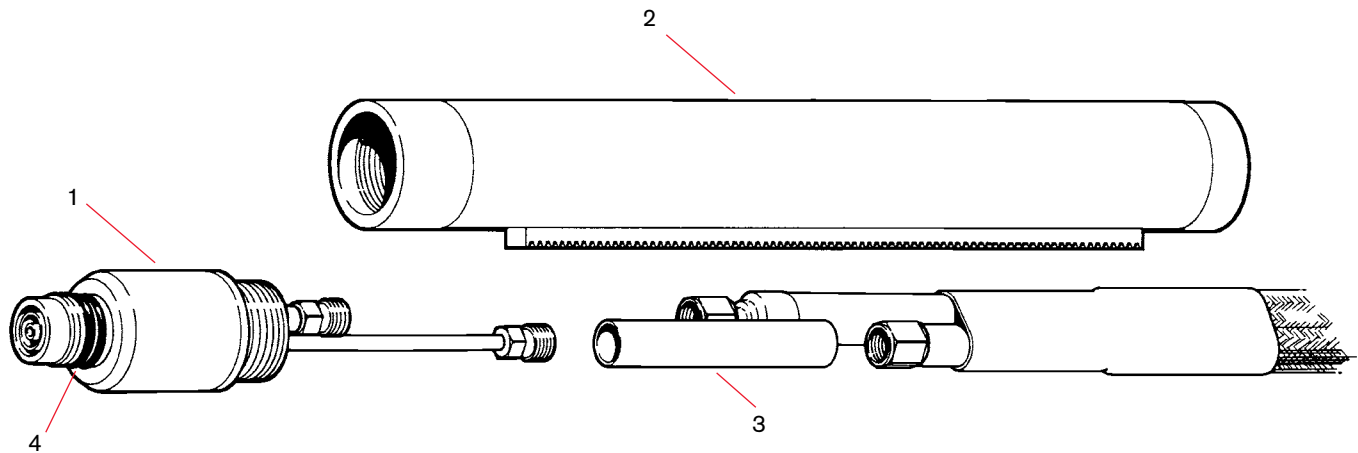
For use with the MAX40/HT40<sup>®</sup>

## PAC140 hand torch parts

Item	Part number	Description
	028287*	Torch assembly
1	028114	Torch main body
2	028231	Torch position sleeve, 273.05 mm (10-3/4") (included in 028287)
2	028269	Torch position sleeve, 457.2 mm (18")
3	004302	Lead insulator
4	044016	O-ring, Buna - N 90 Duro
	028288	Torch leads, 7.6 m (25')
	028289	Torch leads, 10.7 m (35')
	028290	Torch leads, 15.2 m (50')
	023205	Work lead with clamp, 4.5 m (15')

\*Assembly includes consumables.

 Selected torches and repair parts are no longer available. System upgrade is recommended.



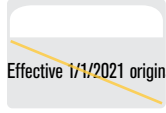


**H**  
powermax405

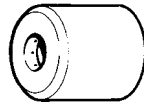
# HT40<sup>®</sup>/HT40C

## HT40/HT40C machine torch consumables


Effective 1/1/2021 torch parts will be obsolete. See pages 64–65 for information on the Powermax45<sup>®</sup> XP as a system upgrade option.

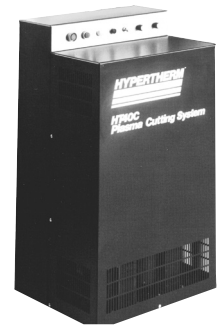


Effective 1/1/2021 original consumables will be obsolete.



Minimum order quantity			1	5	5	1
Consumable type	Torch type	Amperage	Retaining cap	Nozzle	Electrode	Swirl ring
Standard – Air	Machine	40		<del>020102</del>	<del>020103</del>	
Standard – Nitrogen (N <sub>2</sub> )			<del>020104</del>	<del>020102</del>	<del>020167</del>	<del>020101</del>
Standard – Pipe saddle Air				<del>020131</del>	<del>020103</del>	
Standard – Pipe saddle Nitrogen (N <sub>2</sub> )				<del>020131</del>	<del>020167</del>	

 Selected consumables are no longer available. System upgrade is recommended.



# HT40<sup>®</sup>/HT40C<sup>®</sup> torch parts


Effective 1/1/2021 torch parts will be obsolete. See pages 64-65 for information on the Powermax45<sup>®</sup> XP as a system upgrade option.

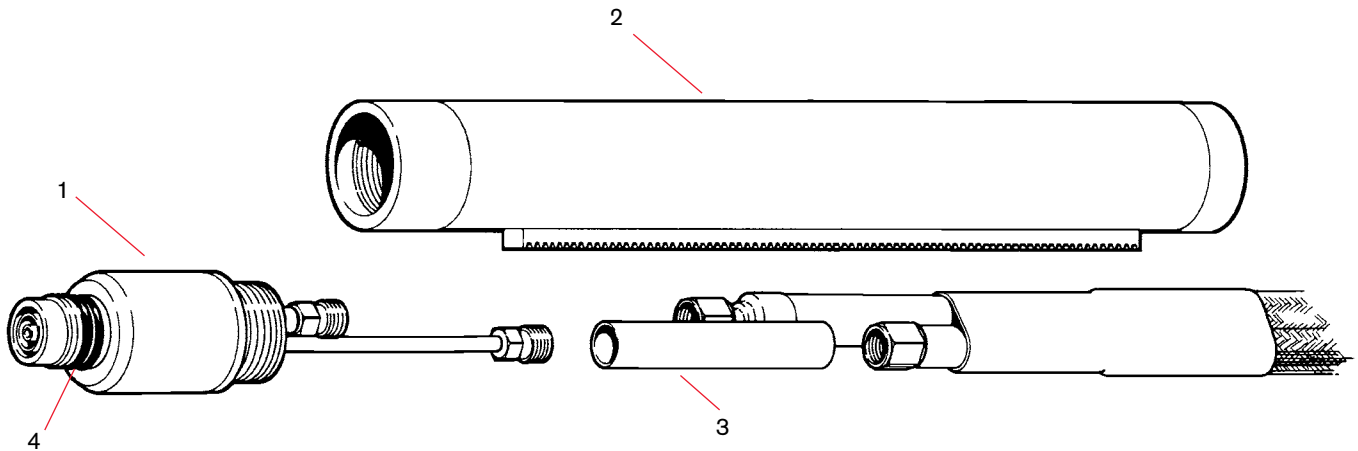
For use with the HT40/HT40C<sup>®</sup>

## HT40/HT40C machine torch parts

Item	Part number	Description
	<del>028287</del>	<del>HT40 machine torch assembly</del>
1	<del>028114</del>	<del>Torch main body</del>
2	<del>028231</del>	<del>Torch position sleeve, 273.05 mm (10-3/4") (included in 028287)</del>
2	<del>028269</del>	<del>Torch position sleeve, 457.2 mm (18")</del>
3	<del>004302</del>	<del>Lead insulator</del>
4	<del>044016</del>	<del>O-ring, Buna - N 90 Duro</del>
	<del>028288</del>	<del>Torch leads, 7.6 m (25')</del>
	<del>028289</del>	<del>Torch leads, 10.7 m (35')</del>
	<del>028290</del>	<del>Torch leads, 15.2 m (50')</del>
	<del>023261</del>	<del>Work lead without clamp 7.6 m (25')</del>

\*Assembly includes consumables.

 Selected torches and repair parts are no longer available. System upgrade is recommended.



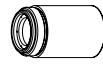
# Powermax1000®

A Duramax® retrofit torch is available for this system see page 153.  
See page 134 for the consumables that work with the Duramax retrofit torch.

## T60/T60M hand/machine torch consumables

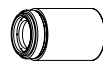


Original consumables for the T60/T60M torches remain available and are listed below.



Minimum order quantity			1	1	5	5	1
Consumable type	Torch type	Amperage	Shield/Deflector	Retaining cap	Nozzle	Electrode	Swirl ring
Shielded	Hand	40	120929 <sup>1</sup>	120928	120932 <sup>1</sup>	120926 <sup>1</sup>	120925
		60			120931 <sup>1</sup>		

<sup>1</sup>Consumable available in bulk packaging. See order information on next page.



Minimum order quantity			1	1	5	5	1
Consumable type	Torch type	Amperage	Shield/Deflector	Retaining cap	Nozzle	Electrode	Swirl ring
Unshielded <sup>2</sup>	Hand/Machine	40	120979	120928	220006	120926 <sup>1</sup>	120925
		60			220007		

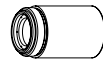
<sup>1</sup>Consumable available in bulk packaging. See order information on next page.

<sup>2</sup>In countries following CE standards, unshielded consumables may only be used in mechanized torch applications.



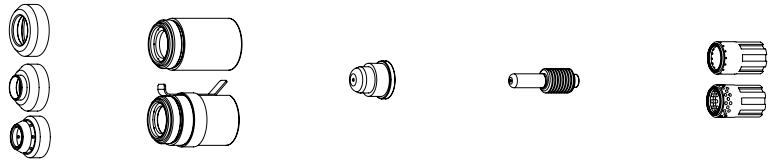
Minimum order quantity			1	1	5	5	1
Consumable type	Torch type	Amperage	Shield/Deflector	Retaining cap	Nozzle	Electrode	Swirl ring
Mechanized	Machine	40	120930 <sup>1</sup>	120928	120932 <sup>1</sup>	120926 <sup>1</sup>	120925
		60		220061 (ohmic)	120931 <sup>1</sup>		

<sup>1</sup>Consumable available in bulk packaging. See order information on next page.



Minimum order quantity			1	1	5	5	1
Consumable type	Torch type	Amperage	Shield/Deflector	Retaining cap	Nozzle	Electrode	Swirl ring
Gouging	Hand/Machine	60	120977	120928	220059	120926 <sup>1</sup>	120925

<sup>1</sup>Consumable available in bulk packaging. See order information on next page.



Minimum order quantity		1	1	5	5	1	
Consumable type	Torch type	Amperage	Shield/Deflector	Retaining cap	Nozzle	Electrode	Swirl ring
FineCut®	Hand	40	120979	120928	220329	120926 <sup>2</sup>	220327
		40 CE <sup>3</sup>	220325				
	Machine	40	120979 220404 (ohmic)	120928 220061 (ohmic)			120925
		40 CE <sup>3</sup>	220325 220404 (ohmic)				

<sup>1</sup>Consumable available in bulk packaging. See order information below.

<sup>3</sup>CE Shield for use in countries requiring CE,CCC,GOST marks.

### Consumable bulk kits

Order quantity	25	25	25	10	10
Bulk kit part number	228437	228440	228441	228439	228601
Contents	120926 electrode	120931 nozzle	120932 nozzle	120929 shield	120930 shield



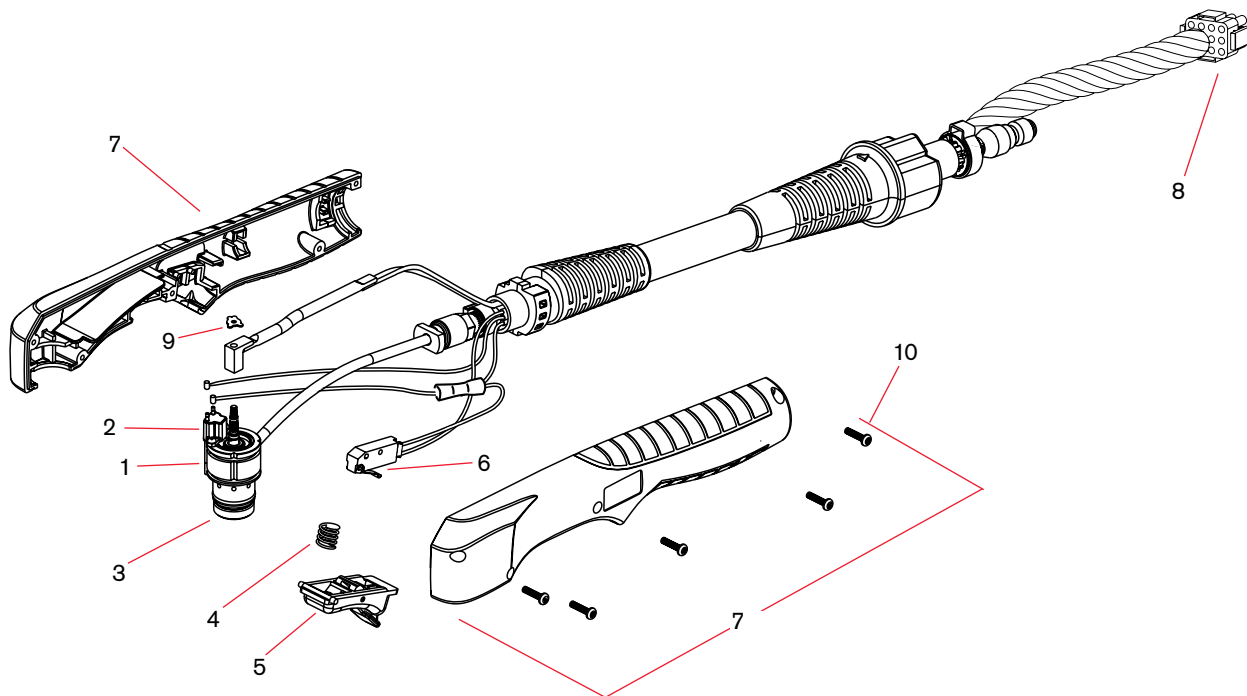
# T60 hand torch parts

For use with the Powermax1000®



## T60 hand torch parts

Item	Part number	Description
1	128564	Kit: T60/T80 torch main body replacement (does not include cap sensor)
2	128639	Kit: Cap sensor switch replacement with screws
	075571	Cap-off sensor screw
3	128521	Kit: T60/T80, T60M/T80M torch head repair (does not include head)
4	027254	Trigger spring
5	002244	Safety trigger assembly
6	128642	Kit: T60/T80 start switch replacement
7	128644	Kit: T60/T80 torch handle replacement
8	128638	Kit: ETR connector repair (regional repair centers only)
9	027889	Retaining clip
	123645	Work lead with clamp, 6.1 m (20')
	128717	Work lead with clamp, 15.2 m (50')
10	075714	Torch handle replacement screws





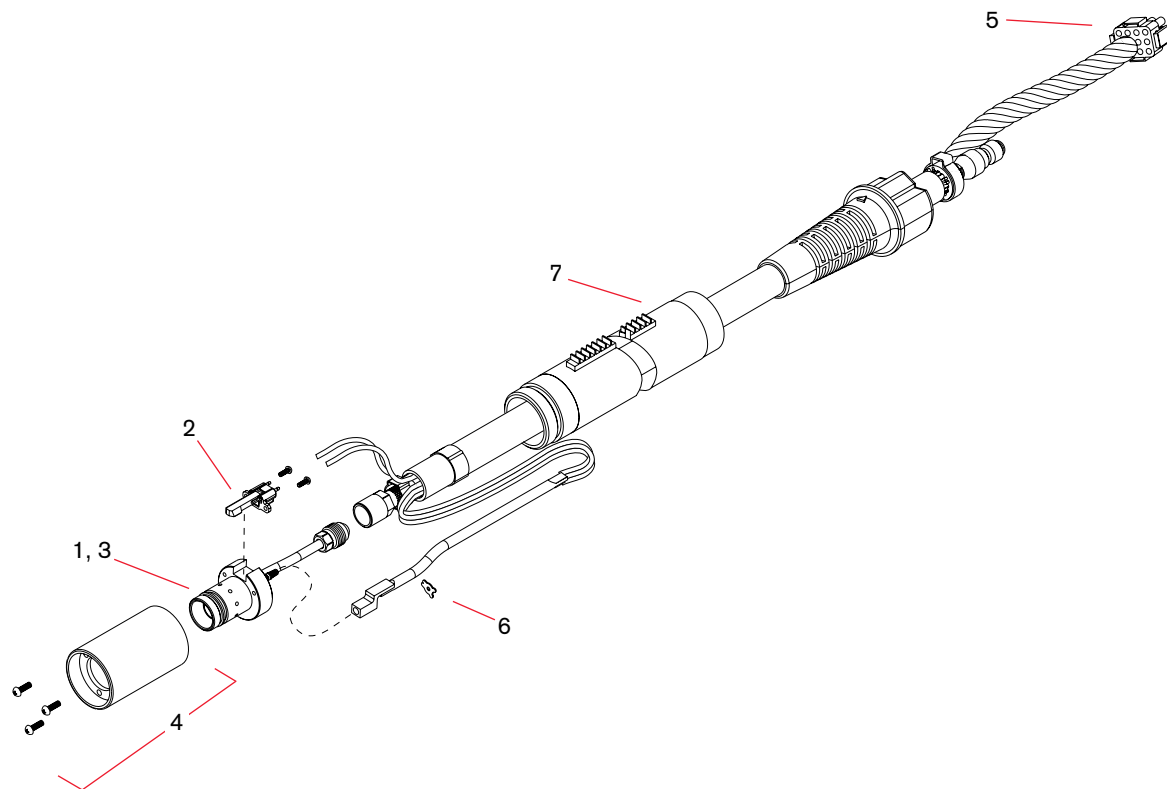
# T60M machine torch parts

For use with the Powermax1000®



## T60M machine torch parts

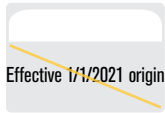
Item	Part number	Description
	128645	Kit: Torch mounting
1	128640	Kit: T60M/T80M torch main body replacement (does not include cap sensor)
2	128639	Kit: Cap sensor switch replacement
	075571	Cap-off sensor screw
3	128521	Kit: T60/T80, T60M/T80M torch head repair (does not include head)
4	128643	Kit: T60M/T80M mounting sleeve replacement
5	128638	Kit: ETR connector repair (regional repair centers only)
6	027889	Retaining clip
7	128710	Kit: T60/T80M positioning sleeve replacement
	128650	On/Off pendant for machine torch, 7.6 m (25')
	128651	On/Off pendant for machine torch, 15.2 m (50')
	128652	On/Off pendant for machine torch, 22.8 m (75')
	123645	Work lead with clamp, 6.1 m (20')
	128717	Work lead with clamp, 15.2 m (50')



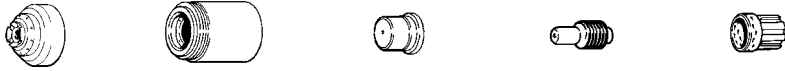
# Powermax900®

Effective 1/1/2021 original consumables will be obsolete. See pages 64–65 for information on system upgrade options. A Duramax® retrofit torch is available, see page 152. For the new consumables for the Duramax retrofit torch see pages 138–139.

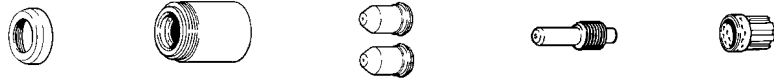
## PAC125T/PAC125M hand/machine torch consumables



Effective 1/1/2021 original consumables will be obsolete.



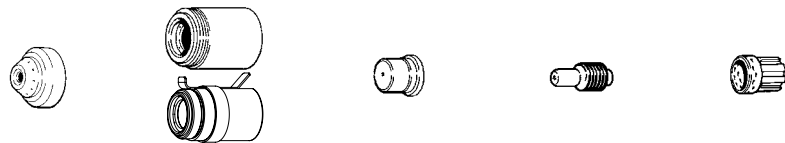
Minimum order quantity			1	1	5	5	1
Consumable type	Torch type	Amperage	Shield/Deflector	Retaining cap	Nozzle	Electrode	Swirl ring
Shielded	Hand	55	<del>120601</del>	<del>120600</del>	<del>120577</del>	<del>120573</del>	<del>120576</del>



Minimum order quantity			1	1	5	5	1
Consumable type	Torch type	Amperage	Shield/Deflector	Retaining cap	Nozzle <sup>2</sup>	Electrode	Swirl ring <sup>2</sup>
Unshielded <sup>1</sup>	Hand/Machine – Pipe saddle	35	<del>120303</del>	<del>120600</del>	<del>120606</del>	<del>120574</del>	<del>120576</del>
		55	<del>120303</del>	<del>120600</del>	<del>120578</del>	<del>120574</del>	<del>120576</del>

<sup>1</sup>In countries following CE standards, unshielded consumables may only be used in mechanized torch applications.

<sup>2</sup>Nozzles and swirl rings shown must be used as a set.



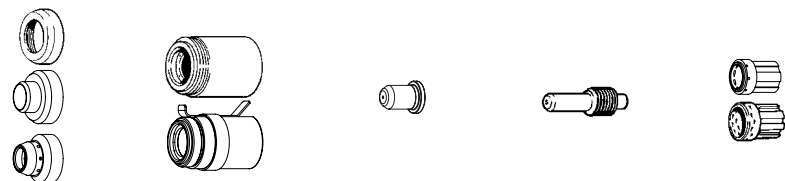
Minimum order quantity			1	1	5	5	1
Consumable type	Torch type	Amperage	Shield/Deflector	Retaining cap	Nozzle <sup>2</sup>	Electrode	Swirl ring <sup>2</sup>
Mechanized	Machine	55	<del>120602</del>	<del>120600</del> <del>120964 (ohmic)</del>	<del>120577</del>	<del>120573</del>	<del>120576</del>

<sup>2</sup>Nozzles and swirl rings shown must be used as a set.




Minimum order quantity			1	1	5	5	1
Consumable type	Torch type	Amperage	Shield/Deflector	Retaining cap	Nozzle <sup>2</sup>	Electrode	Swirl ring <sup>2</sup>
Gouging	Hand/Machine	55	<del>120608</del>	<del>120600</del>	<del>120607</del>	<del>120573</del>	<del>120576</del>

<sup>2</sup>Nozzles and swirl rings shown must be used as a set.



Minimum order quantity			1	1	5	5	1	
Consumable type	Torch type	Amperage	Shield/Deflector	Retaining cap	Nozzle	Electrode	Swirl ring	
FineCut®	Hand	40	<del>120303</del>	<del>120600</del>			<del>220332</del>	
		40 CE <sup>3</sup>	<del>220326</del>	<del>120600</del>			<del>220332</del>	
	Machine	40	<del>120303</del>	<del>220403 (ohmic)</del>	<del>120600</del>	<del>220330</del>	<del>120574</del>	<del>120576</del>
		40 CE	<del>220326</del>	<del>220403 (ohmic)</del>	<del>120964 (ohmic)</del>			<del>120576</del>

<sup>3</sup>CE Shield for use in countries requiring CE,CCC,GOST marks.

 Selected consumables are no longer available. System or torch upgrade is recommended.



# PAC125T hand torch parts

Effective 1/1/2021 torch parts will be obsolete. A Duramax® retrofit torch is available, see page 152. For the new consumables for the Duramax retrofit torch see pages 138–139.


For use with the Powermax900®

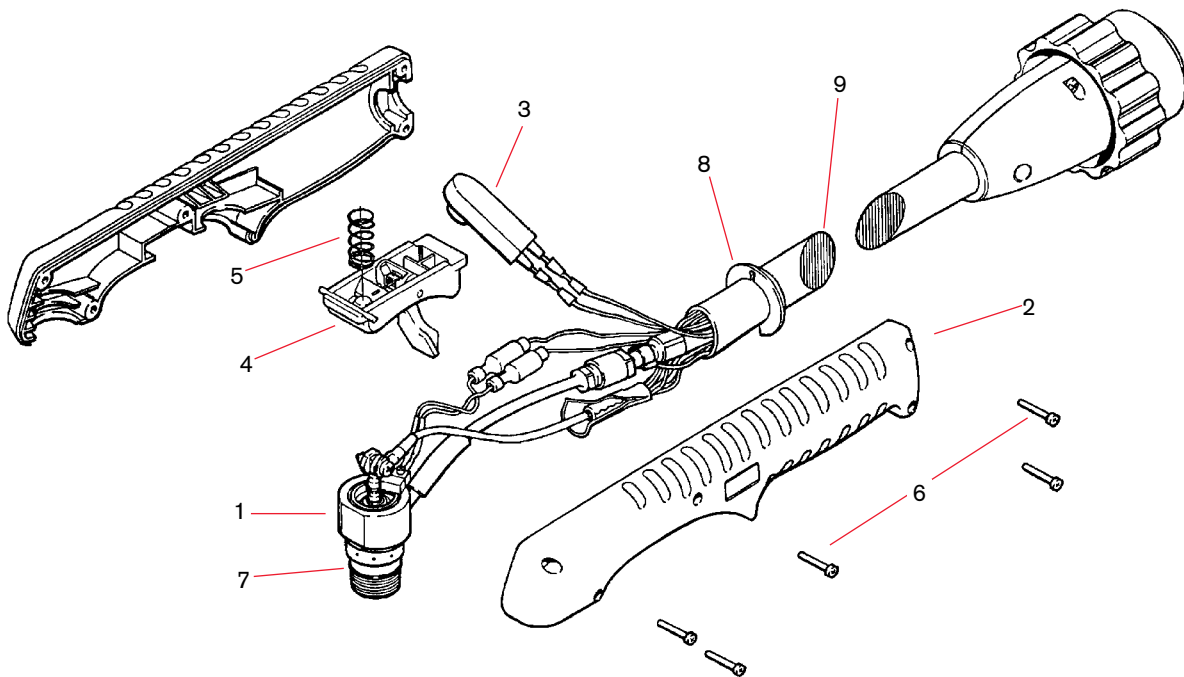


## PAC125T hand torch parts

PAC125T hand torch and PAC125M torch assemblies for this system are no longer available for purchase. A Duramax® retrofit torch with new consumables is available for this system (see pages 132–134).

Item	Part number	Description
1	<del>120570</del>	<del>Torch main body with switch</del>
2	<del>001288</del>	<del>Handle (includes both halves)</del>
3	<del>128284</del>	<del>Kit: Switch repair</del>
4	<del>002244</del>	<del>Safety trigger assembly</del>
5	<del>027254</del>	<del>Trigger spring</del>
6	<del>075339</del>	<del>Screw, #4 x 1/2" (five required)</del>
7	<del>044016</del>	<del>O-ring, Buna – N 90 Dura</del>
8	<del>004764</del>	<del>Ring, Gutcha</del>
	<del>023922</del>	<del>Work lead with clamp, 6.1 m (20')</del>
	<del>028907</del>	<del>Work lead with clamp, 15.2 m (50')</del>
9	<del>123352</del>	<del>PAC1251 torch leads, 15.2 m (50')</del>

 Selected torches and repair parts are no longer available. System upgrade is recommended.



# PAC125M machine torch parts

Effective 1/1/2021 torch parts will be obsolete. A Duramax® retrofit torch is available, see page 152. For the new consumables for the Duramax retrofit torch see pages 138–139.s


For use with the Powermax900®

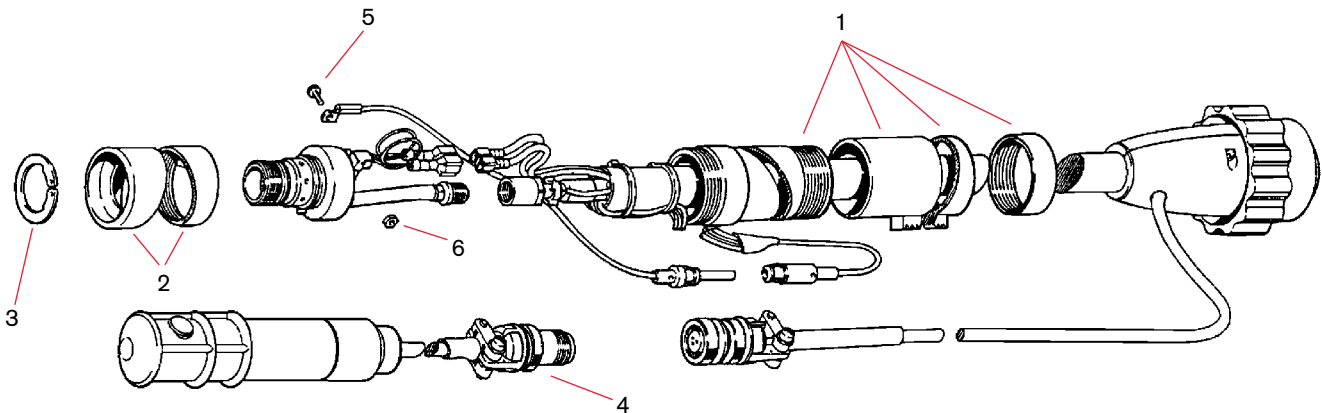


## PAC125M machine torch parts

PAC125T hand torch and PAC125M torch assemblies for this system are no longer available for purchase. A Duramax® retrofit torch with new consumables is available for this system (see pages 132–134).

Item	Part number	Description
<del>1</del>	<del>020620</del>	<del>Torch positioning sleeve</del>
<del>2</del>	<del>120613</del>	<del>Torch sleeve</del>
<del>3</del>	<del>027599</del>	<del>Snap ring</del>
<del>4</del>	<del>026714</del>	<del>On/Off pendant, 7.6 m (25')</del>
<del>4</del>	<del>128061</del>	<del>On/Off pendant, 15.2 m (50')</del>
<del>4</del>	<del>128062</del>	<del>On/Off pendant, 22.8 m (75')</del>
<del>5</del>	<del>075504</del>	<del>Screw, 4-40 x 5/16"</del>
<del>6</del>	<del>075503</del>	<del>Locknut, 4-40</del>
	<del>023922</del>	<del>Work lead with clamp, 6.1 m (20')</del>
	<del>028907</del>	<del>Work lead with clamp, 15.2 m (50')</del>

 Selected torches and repair parts are no longer available. System upgrade is recommended.



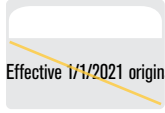


# Powermax800®

Effective 1/1/2021 original consumables will be obsolete. See pages 64–65 for information on system upgrade options. A Duramax® retrofit torch is available, see page 152. For the new consumables for the Duramax retrofit torch see pages 138–139.

## PAC121TS/PAC125T/PAC121M/PAC125M hand/machine torch consumables

A label located on the torch handle indicates whether the torch is a PAC121TS or PAC125T



Effective 1/1/2021 original consumables will be obsolete.



Minimum order quantity			1	1	5	5	1
Consumable type	Torch type	Amperage	Shield/Deflector	Retaining cap	Nozzle <sup>1</sup>	Electrode	Swirl ring <sup>1</sup>
Shielded	Hand	40	<del>120601</del>	<del>120600</del>	<del>120438</del>	<del>120573</del>	<del>020361</del>
		50			<del>120282</del>		

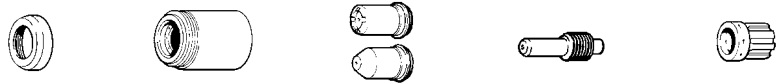
<sup>1</sup>Nozzles and swirl rings shown must be used as a set.



Minimum order quantity			1	1	5	5	1
Consumable type	Torch type	Amperage	Shield/Deflector	Retaining cap	Nozzle <sup>1</sup>	Electrode	Swirl ring <sup>1</sup>
Unshielded <sup>2</sup>	Hand/Machine	50	<del>120303</del>	<del>120600</del>	<del>020395</del>	<del>120573</del>	<del>020361</del>

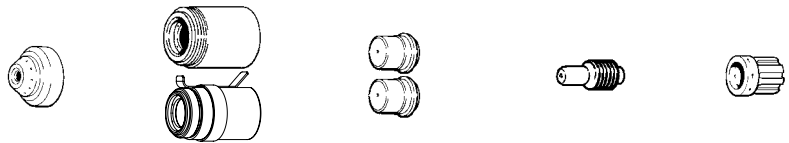
<sup>1</sup>Nozzles and swirl rings shown must be used as a set.

<sup>2</sup>In countries following CE standards, unshielded consumables may only be used in mechanized torch applications.



Minimum order quantity			1	1	5	5	1
Consumable type	Torch type	Amperage	Shield/Deflector	Retaining cap	Nozzle <sup>1</sup>	Electrode	Swirl ring <sup>1</sup>
Extended	Hand/Machine – Pipe saddle	50	<del>120303</del>	<del>120600</del>	<del>120304</del>	<del>120574</del>	<del>020361</del>
		50			<del>120305</del>		

<sup>1</sup>Nozzles and swirl rings shown must be used as a set.



Minimum order quantity			1	1	5	5	1
Consumable type	Torch type	Amperage	Shield/Deflector	Retaining cap	Nozzle <sup>1</sup>	Electrode	Swirl ring <sup>1</sup>
Mechanized	Machine	40	<del>120602</del>	<del>120600</del>	<del>120438</del>	<del>120573</del>	<del>020361</del>
		50		<del>120964 (ohmic)</del>	<del>120282</del>		

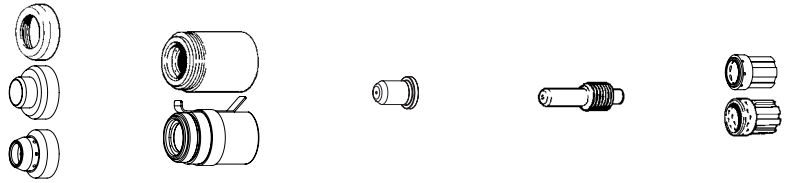
<sup>1</sup>Nozzles and swirl rings shown must be used as a set.

Effective 1/1/2021 torch parts will be obsolete. A Duramax® retrofit torch is available, see page 152. For the new consumables for the Duramax retrofit torch see pages 138–139.




Minimum order quantity			1	1	5	5	1
Consumable type	Torch type	Amperage	Shield/Deflector	Retaining cap	Nozzle <sup>1</sup>	Electrode	Swirl ring <sup>1</sup>
Gouging	Hand/Machine	50	<del>120608</del>	<del>120600</del>	<del>120281</del>	<del>120573</del>	<del>020361</del>

<sup>1</sup>Nozzles and swirl rings shown must be used as a set.



Minimum order quantity			1	1	5	5	1
Consumable type	Torch type	Amperage	Shield/Deflector	Retaining cap	Nozzle	Electrode	Swirl ring
FineCut®	Hand	40	<del>120303</del>	<del>120600</del>			<del>220332</del>
		40 CE <sup>2</sup>	<del>220326</del>				
	Machine	40	<del>120303</del> <del>220403 (ohmic)</del>	<del>120600</del>	<del>220330</del>	<del>120574</del>	<del>120576</del>
		40 CE	<del>220326</del> <del>220403 (ohmic)</del>	<del>120964 (ohmic)</del>			

<sup>2</sup>CE Shield for use in countries requiring CE,CCC,GOST marks.

 Selected consumables are no longer available. System or torch upgrade is recommended.

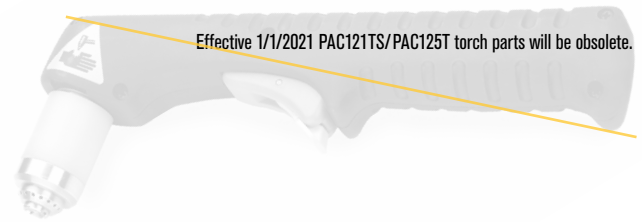


# PAC121TS/PAC125T hand torch parts

Effective 1/1/2021 torch parts will be obsolete. A Duramax® retrofit torch is available, see page 152. For the new consumables for the Duramax retrofit torch see pages 138–139.

## For use with the Powermax800®

A label located on the torch handle indicates whether the torch is a PAC121TS or PAC125T



## PAC121TS hand torch parts

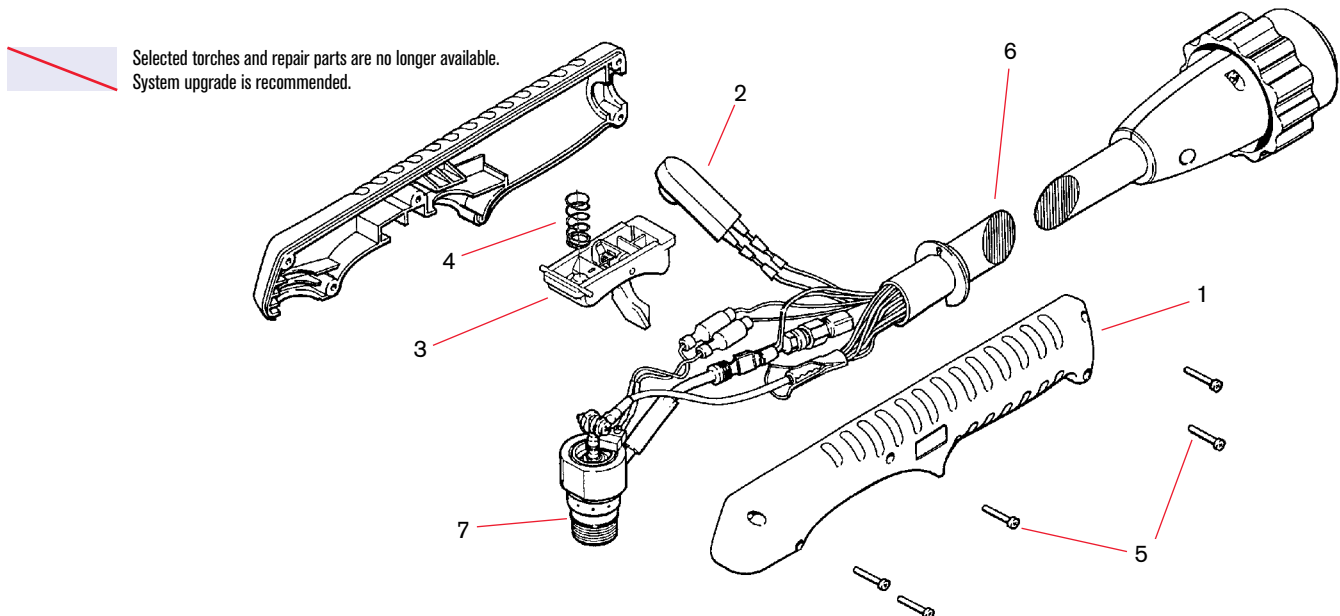
PAC torch assemblies for this system are no longer available for purchase. A Duramax® retrofit torch with new consumables is available for the Powermax800 (see pages 132–134).

Item	Part number	Description
<del>6</del>	<del>029556</del>	<del>MAX40cs torch leads without QD 7.6 m (25')</del>
<del>6</del>	<del>029557</del>	<del>MAX40cs torch leads without QD 15.2 m (50')</del>
<del>1</del>	<del>001288</del>	<del>Handle (includes both halves)</del>
<del>2</del>	<del>128284</del>	<del>Switch, torch pushbutton, kit, HNDTCH, PRSW RPR</del>
<del>3</del>	<del>002244</del>	<del>Safety trigger assembly</del>
<del>4</del>	<del>027254</del>	<del>Safety trigger spring</del>
<del>5</del>	<del>075340</del>	<del>Screw, #4 x 5/8" (five required)</del>
<del>7</del>	<del>044016</del>	<del>O-ring, Buna - N 90 Duro</del>
	<del>023452</del>	<del>MAX43 work lead with clamp, 4.5 m (15')</del>
	<del>023415</del>	<del>MAX40cs work lead with clamp, 4.5 m (15')</del>
	<del>023205</del>	<del>MAX42 work lead with clamp, 4.5 m (15')</del>

## PAC125T hand torch parts

PAC torch assemblies for this system are no longer available for purchase. A Duramax retrofit torch with new consumables is available for the Powermax800 (see pages 132–134).

Item	Part number	Description
<del>1</del>	<del>001288</del>	<del>Handle (includes both halves)</del>
<del>2</del>	<del>128284</del>	<del>Switch, torch pushbutton, kit, HNDTCH, PRSW RPR</del>
<del>3</del>	<del>002244</del>	<del>Safety trigger assembly</del>
<del>4</del>	<del>027254</del>	<del>Safety trigger spring</del>
<del>5</del>	<del>075340</del>	<del>Screw, #4 x 5/8" (five required)</del>
<del>7</del>	<del>044016</del>	<del>O-ring, Buna - N 90 Duro</del>
	<del>023452</del>	<del>MAX43 work lead with clamp, 4.5 m (15')</del>
	<del>023415</del>	<del>MAX40cs work lead with clamp, 4.5 m (15')</del>
	<del>023205</del>	<del>MAX42 work lead with clamp, 4.5 m (15')</del>



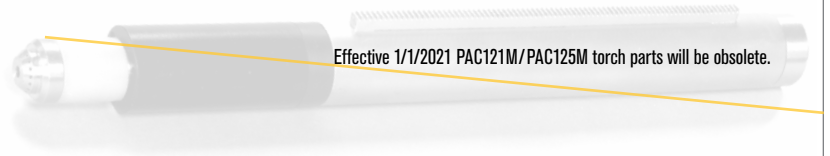
Selected torches and repair parts are no longer available. System upgrade is recommended.



# PAC121M/PAC125M machine torch parts

Effective 1/1/2021 torch parts will be obsolete. A Duramax® retrofit torch is available, see page 152. For the new consumables for the Duramax retrofit torch see pages 138–139.

For use with the Powermax800®




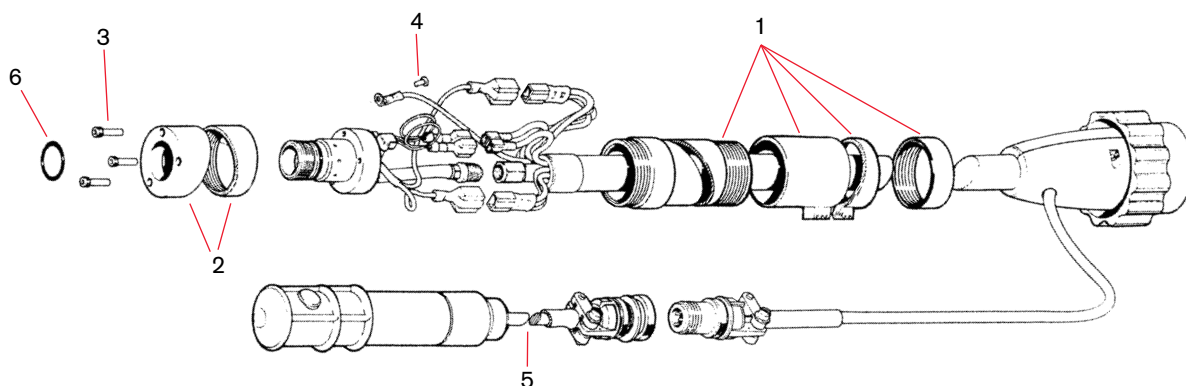
## PAC121M machine torch parts

Item	Part number	Description
1	<del>020620</del>	<del>Torch position sleeve</del>
2	<del>020559</del>	<del>Torch sleeve</del>
3	<del>075321</del>	<del>Screw, 4-40 x 1/2, Hex, SS (three required)</del>
4	<del>075322</del>	<del>Screw, 4-40 x 1/4, SL, SZ</del>
5	<del>028461</del>	<del>On/Off pendant, 7.6 m (25')</del>
5	<del>028462</del>	<del>On/Off pendant, 15.2 m (50')</del>
5	<del>028463</del>	<del>On/Off pendant, 22.8 m (75')</del>
6	<del>044016</del>	<del>O-ring: Buna 90 Duro .614 x .070</del>
	<del>023922</del>	<del>Work lead with clamp, 6.1 m (20')</del>
	<del>028907</del>	<del>Work lead with clamp, 15.2 m (50')</del>

## PAC125M machine torch parts

Item	Part number	Description
1	<del>020620</del>	<del>Torch position sleeve</del>
2	<del>120613</del>	<del>Torch sleeve</del>
3	<del>075321</del>	<del>Screw, 4-40 x 1/2, Hex, SS (three required)</del>
4	<del>075322</del>	<del>Screw, 4-40 x 1/4, SL, SZ</del>
5	<del>028714</del>	<del>On/Off pendant, 7.6 m (25')</del>
5	<del>128061</del>	<del>On/Off pendant, 15.2 m (50')</del>
5	<del>128062</del>	<del>On/Off pendant, 22.8 m (75')</del>
6	<del>044016</del>	<del>O-ring: Buna 90 Duro .614 x .070</del>
	<del>023922</del>	<del>Work lead with clamp, 6.1 m (20')</del>
	<del>028907</del>	<del>Work lead with clamp, 15.2 m (50')</del>

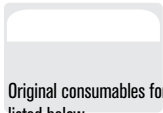
 Selected torches and repair parts are no longer available. System upgrade is recommended.



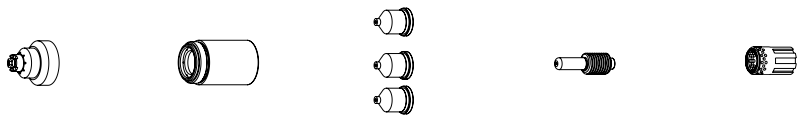
# Powermax1250<sup>®</sup>

A Duramax<sup>®</sup> retrofit torch upgrade is available see page 154. For the compatible consumables for the Duramax retrofit torch see page 134-135.

## T80/T80M hand/machine torch consumables

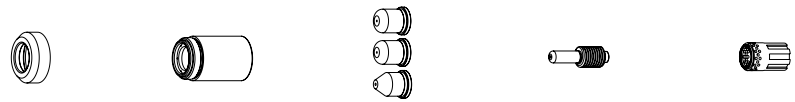


Original consumables for the T80 and T80M torches remain available and are listed below.



Minimum order quantity			1	1	5	5	1
Consumable type	Torch type	Amperage	Shield/Deflector <sup>1</sup>	Retaining cap	Nozzle	Electrode	Swirl ring
Shielded	Hand	40	120929 <sup>1</sup>	120928	120932 <sup>1</sup>	120926 <sup>1</sup>	120925
		60			120931 <sup>1</sup>		
		80			120927 <sup>1</sup>		

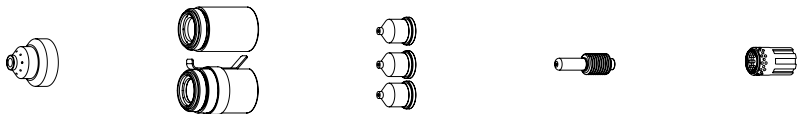
<sup>1</sup>Consumable available in bulk packaging. See order information on next page.



Minimum order quantity			1	1	5	5	1
Consumable type	Torch type	Amperage	Shield/Deflector	Retaining cap	Nozzle <sup>2</sup>	Electrode <sup>2</sup>	Swirl ring
Unshielded <sup>2</sup>	Hand/Machine	40	120979	120928	220006	120926 <sup>1</sup>	120925
		60			220007		
		80			120980		

<sup>2</sup>Consumable available in bulk packaging. See order information on next page.

<sup>1</sup>In countries following CE standards, unshielded consumables may only be used in mechanized torch applications.



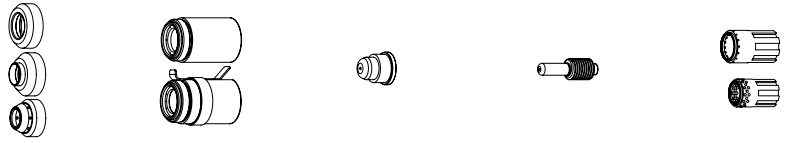
Minimum order quantity			1	1	5	5	1
Consumable type	Torch type	Amperage	Shield/Deflector	Retaining cap	Nozzle	Electrode	Swirl ring
Mechanized	Machine	40	120930 <sup>1</sup>	120928 220061 (ohmic)	120932 <sup>1</sup>	120926 <sup>1</sup>	120925
		60			120931 <sup>1</sup>		
		80			120927 <sup>1</sup>		

<sup>1</sup>Consumable available in bulk packaging. See order information on next page.



Minimum order quantity			1	1	5	5	1
Consumable type	Torch type	Amperage	Shield/Deflector	Retaining cap	Nozzle	Electrode	Swirl ring
Gouging	Hand/Machine	60-80	120977	120928	220059	120926 <sup>1</sup>	120925

<sup>1</sup>Consumable available in bulk packaging. See order information on next page.



Minimum order quantity		1	1	5	5	1	
Consumable type	Torch type	Amperage	Shield/Deflector	Retaining cap	Nozzle	Electrode	Swirl ring
FineCut®	Hand	40	120979	120928 220061 (ohmic)	220329	120926 <sup>3</sup>	220327
		40 CE <sup>4</sup>	220325				120925
	Machine	40	120979 220404 (ohmic)				120925
		40 CE <sup>4</sup>	220325 220404 (ohmic)				

<sup>3</sup>Consumable available in bulk packaging. See order information below.

<sup>4</sup>CE Shield for use in countries requiring CE,CCC,GOST marks.

### Consumable bulk kits

Order quantity	25	25	25	25	10	10
Bulk kit part number	228437	228440	228441	228438	228439	228601
Contents	120926 electrode	120931 nozzle	120932 nozzle	120927 nozzle	120929 shield	120930 shield



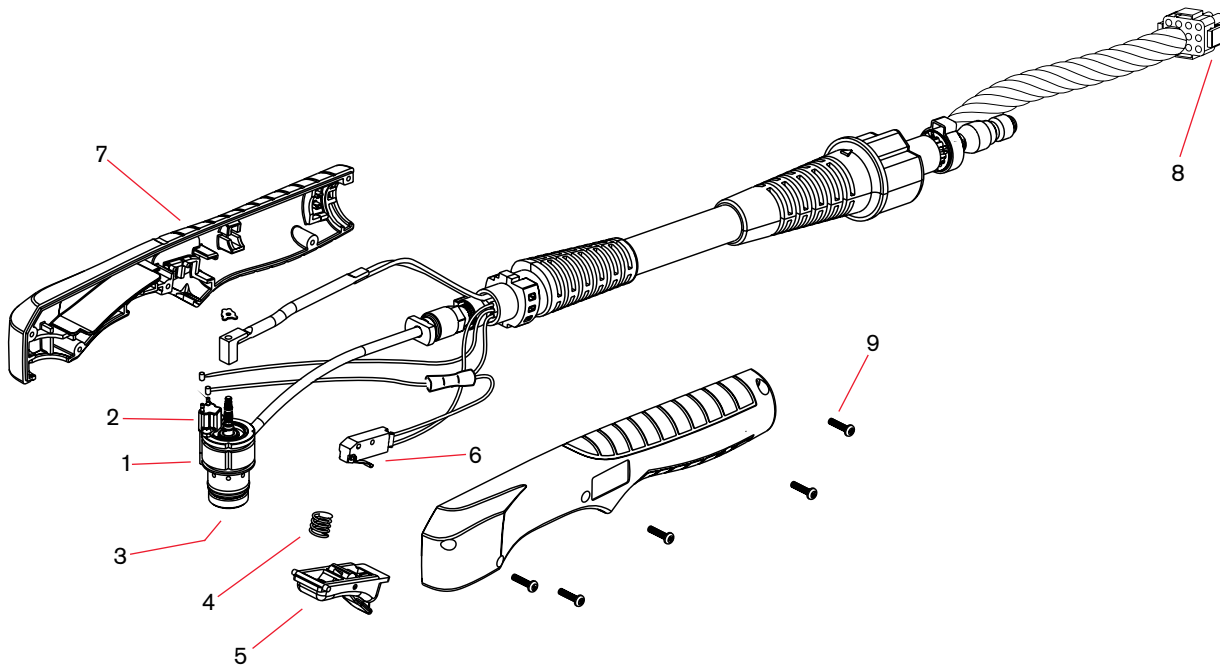
# T80 hand torch parts

For use with the Powermax1250®



## T80 hand torch parts

Item	Part number	Description
1	128564	Kit: T60/T80 torch main body replacement (does not include cap sensor)
2	128639	Kit: Cap sensor switch replacement
	075571	Cap-off sensor screw
3	128521	Kit: T60/T80, T60M/T80M torch head repair (does not include head)
4	027254	Trigger spring
5	002244	Safety trigger assembly
6	128642	Kit: T60/T80 start switch replacement
7	128644	Kit: T60/T80 torch handle replacement
8	128638	Kit: ETR connector repair (regional repair centers only)
	123106	Work lead with clamp, 6.1 m (20')
	128718	Work lead with clamp, 15.2 m (50')
9	075714	Torch handle replacement screw, requires 5



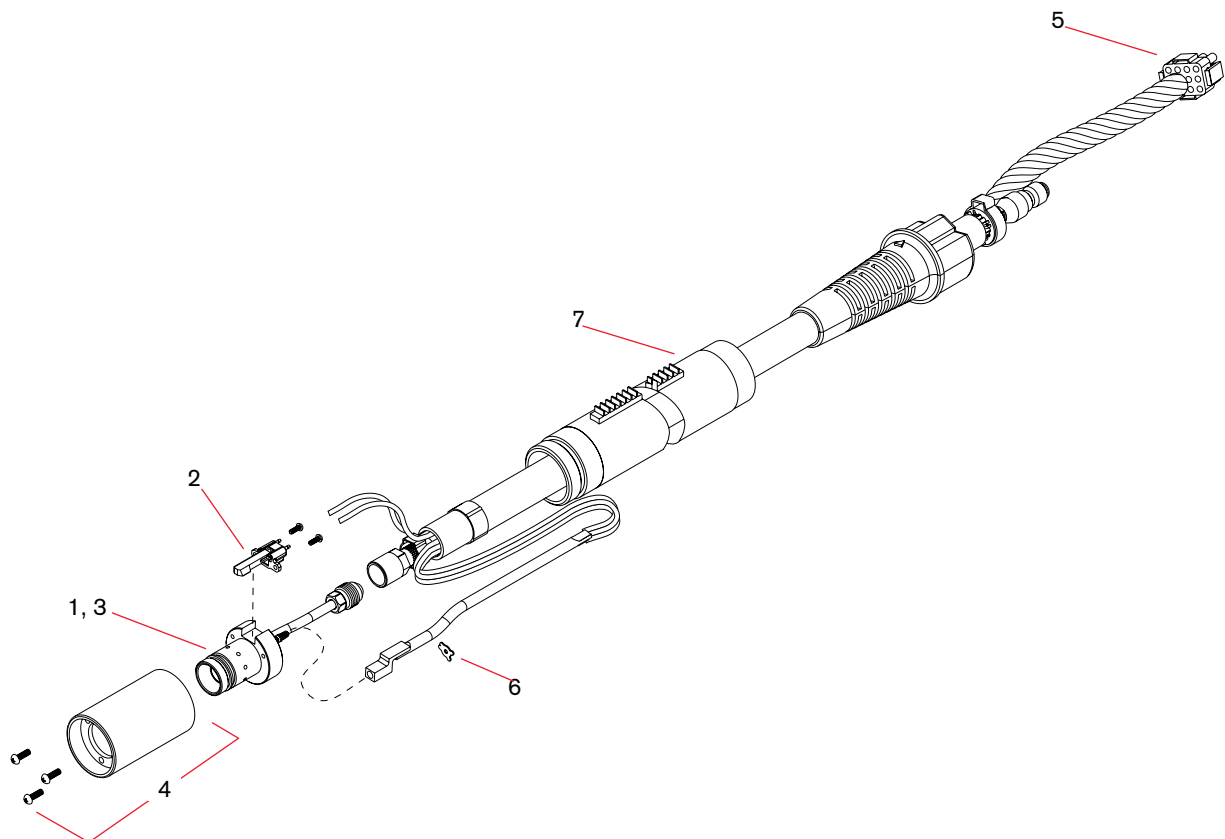
# T80M machine torch parts

For use with the Powermax1250®



## T80M machine torch parts

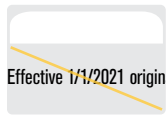
Item	Part number	Description
	128645	Kit: Torch mounting
1	128640	Kit: T60M/T80M torch main body replacement (does not include cap sensor)
2	128639	Kit: Cap sensor switch replacement
	075571	Cap-off sensor screw
3	128521	Kit: T60/T80, T60M/T80M torch head repair (does not include head)
4	128643	Kit: T60M/T80M mounting sleeve replacement
5	128638	Kit: ETR connector repair (regional repair centers only)
6	027889	Retaining clip
7	128710	Kit: T60/T80M positioning sleeve replacement
	128650	On/Off pendant for machine torch, 7.6 m (25')
	128651	On/Off pendant for machine torch, 15.2 m (50')
	128652	On/Off pendant for machine torch, 22.8 m (75')
	123106	Work lead with clamp, 6.1 m (20')
	128145	Work lead with clamp, 15.2 m (50')
	128718	Work lead with clamp, 15.2 m (50')



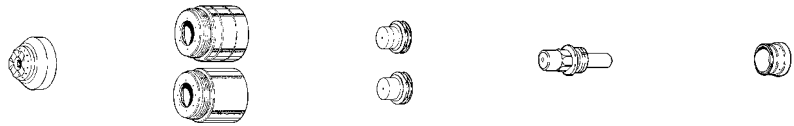
# Powermax1100®

Effective 1/1/2021 original consumable will be obsolete. See pages 64–65 for information on system upgrade options. RT80 retrofit torches are available, see page 153. For the new consumables for the RT80 torches see pages 146–147.

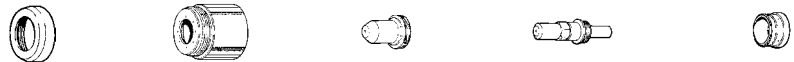
## PAC135T/PAC135M hand/machine torch consumables



Effective 1/1/2021 original consumables will be obsolete.

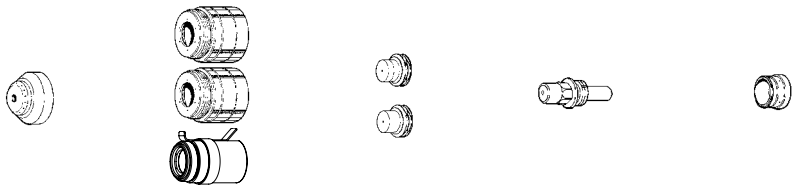


Minimum order quantity			1	1	5	5	1
Consumable type	Torch type	Amperage	Shield/Deflector	Retaining cap	Nozzle	Electrode	Swirl ring
Shielded	Hand	40	<del>120475</del>	<del>120520</del>	<del>120515</del>	<del>120473</del>	<del>120474</del>
		80		<del>120483</del>	<del>120476</del>		



Minimum order quantity			1	1	5	5	1
Consumable type	Torch type	Amperage	Shield/Deflector	Retaining cap	Nozzle	Electrode	Swirl ring
Extended <sup>1</sup>	Hand/Machine	80	<del>120519</del>	<del>120483</del>	<del>120518</del>	<del>120517</del>	<del>120474</del>


<sup>1</sup>In countries following CE standards, unshielded consumables may only be used in mechanized torch applications.



Minimum order quantity			1	1	5	5	1
Consumable type	Torch type	Amperage	Shield/Deflector	Retaining cap	Nozzle	Electrode	Swirl ring
Mechanized	Machine	40		<del>120520</del>	<del>120515</del>	<del>120473</del>	<del>120474</del>
		80		<del>120968 (ohmic)</del>			
				<del>120483</del>	<del>120476</del>		



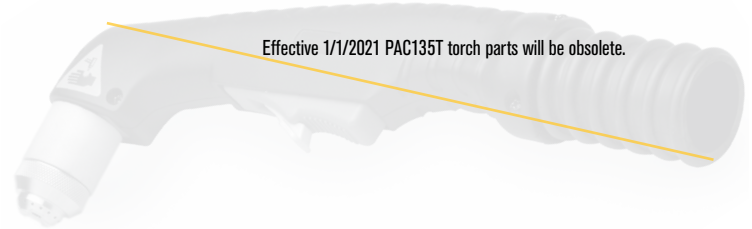
Minimum order quantity			1	1	5	5	1
Consumable type	Torch type	Amperage	Shield/Deflector	Retaining cap	Nozzle	Electrode	Swirl ring
Gouging	Hand/Machine	80	<del>120510</del>	<del>120483</del>	<del>120509</del>	<del>120473</del>	<del>120474</del>

 Selected consumables are no longer available. System or torch upgrade is recommended.




# PAC135T hand torch parts

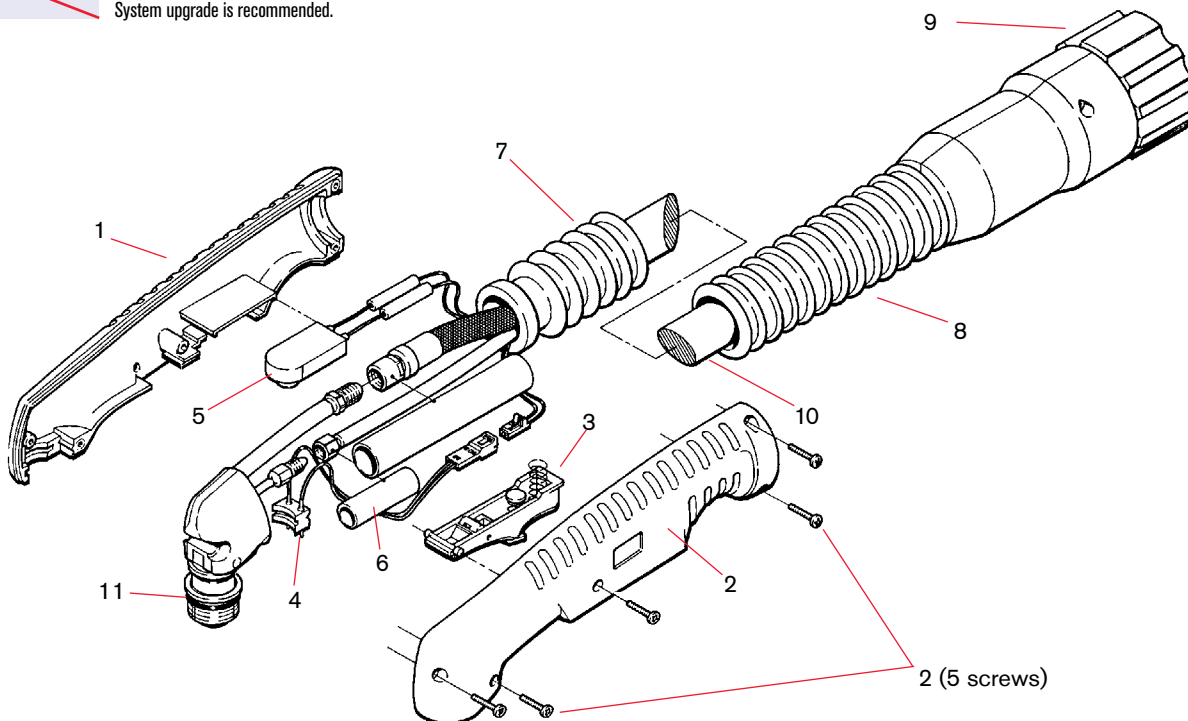
Effective 1/1/2021 torch parts will be obsolete. RT80 retrofit torches are available, see page 153. For the new consumables for the RT80 torches see pages 146-147.



## PAC135T hand torch parts

Item	Part number	Description
1	001615	Handle (includes both halves)
2	075497	Screws, #6 x 5/8", phillips head, pan head (five required)
3	128409	Safety trigger upgrade assembly
4	005212	Switch assembly, cap-on sensor
5	005247	Push button switch
6	046072	Heatsrink: 1/2" ID
7	001616	Torch boot
8	002277	Quick disconnect boot
9	128122	Plug assembly: Torch quick disconnect
10	129559	Torch lead, 7.6 m (25')
10	129560	Torch lead, 15.2 m (50')
11	026020	O-ring, silicon
	128145	Work lead with clamp, 15.2 m (50')

 Selected torches and repair parts are no longer available. System upgrade is recommended.



# PAC135M machine torch parts

Effective 1/1/2021 torch parts will be obsolete. RT80 retrofit torches are available, see page 153. For the new consumables for the RT80 torches see pages 146-147.

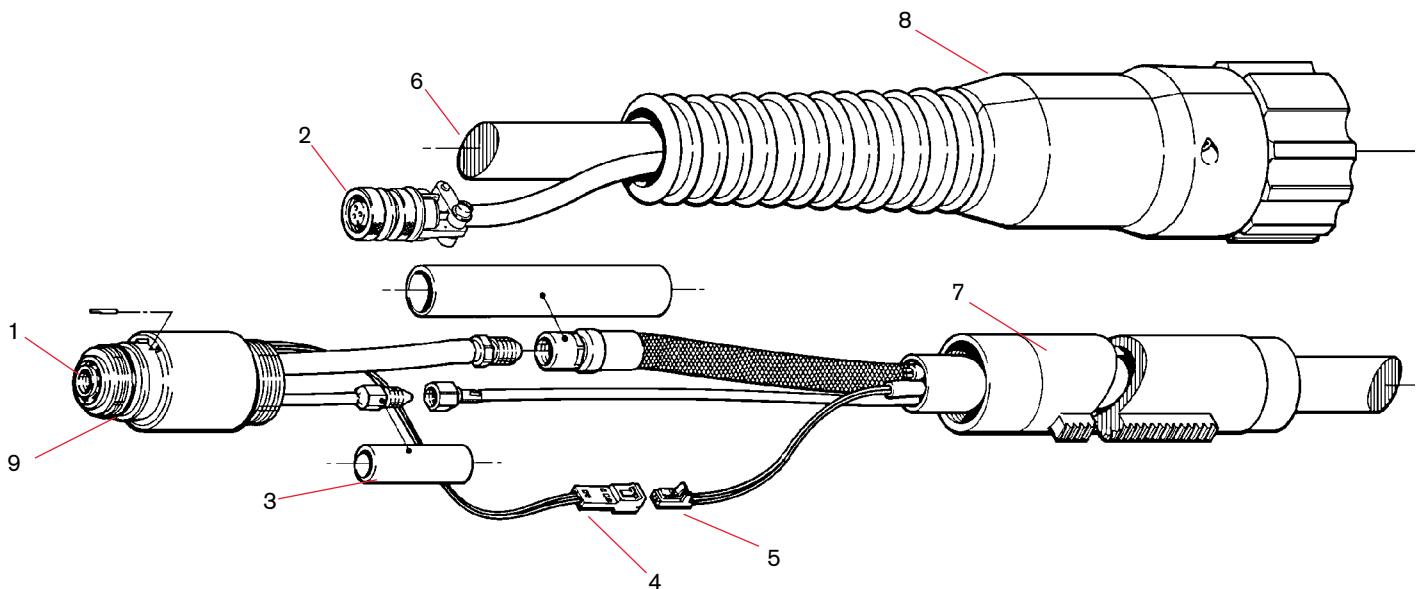
For use with the Powermax1100®



## PAC135M machine torch parts

Item	Part number	Description
1	<del>108040</del>	<del>Contact: Cap-on sensor switch</del>
2	<del>008268</del>	<del>Plug: 3-socket female</del>
3	<del>046072</del>	<del>Heatshrink: 1/2" ID</del>
4	<del>108035</del>	<del>Pin housing: 2-position 26-22 AWG</del>
5	<del>108034</del>	<del>Receptacle housing: 2-position 26-22 AWG</del>
6	<del>046056</del>	<del>Tubing: 5/8" ID</del>
7	<del>020243</del>	<del>Sleeve, torch position</del>
8	<del>128122</del>	<del>Plug assembly: Torch quick disconnect</del>
9	<del>026020</del>	<del>O-ring, silicon</del>
	<del>028714</del>	<del>On/Off pendant, 7.6 m (25')</del>
	<del>128061</del>	<del>On/Off pendant, 15.2 m (50')</del>
	<del>128062</del>	<del>On/Off pendant, 22.8 m (75')</del>
	<del>128145</del>	<del>Work lead with clamp, 15.2 m (50')</del>

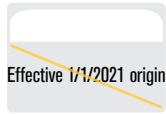
Selected torches and repair parts are no longer available. System upgrade is recommended.



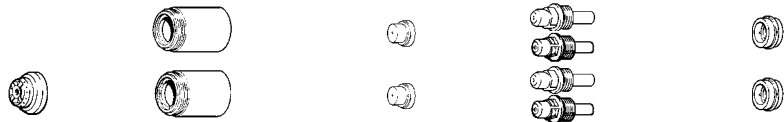




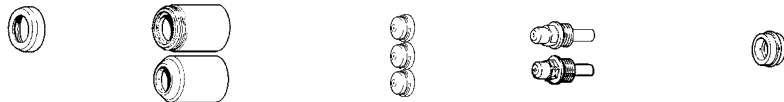
## PAC130 hand torch and MAX70/100 machine torch consumables



Effective 1/1/2021 original consumables will be obsolete.



Minimum order quantity			1	1	5	5	1
Consumable type	Torch type	Amperage	Shield/Deflector	Retaining cap	Nozzle	Electrode	Swirl ring
Shielded	Hand	40		<del>020490</del>	<del>020396</del>	<del>120433 (Air) or 020193 (Nitrogen)</del>	<del>020194</del>
		70					
		80	<del>020335</del>	<del>020336</del>	<del>020397</del>		
		100					



Minimum order quantity			1	1	5	5	1
Consumable type	Torch type	Amperage	Deflector/ Retaining cap <sup>2</sup>	Retaining cap	Nozzle	Electrode	Swirl ring
Unshielded <sup>1</sup>	Hand/Machine	40			<del>020203</del>	<del>120433 (Air) or 020193 (Nitrogen)</del>	<del>020194</del>
		70	<del>020333 / 020336</del>	<del>020184</del>	<del>020345</del>		
		80			<del>020345</del>		
		100			<del>020195</del>		

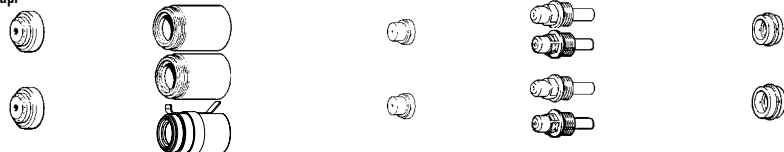
<sup>1</sup>In countries following CE standards, unshielded consumables may only be used in mechanized torch applications.

<sup>2</sup>Non-shielded cutting may use a retaining cap or a combination deflector/retaining cap.



Minimum order quantity			1	1	5	5	1
Consumable type	Torch type	Amperage	Deflector/ Retaining cap <sup>2</sup>	Retaining cap	Nozzle	Electrode	Swirl ring
Extended - Air Extended - Nitrogen	Hand/Machine - Extended	70-80	<del>020333 / 020336</del>	<del>020184</del>	<del>020563</del>	<del>120444 020866</del>	<del>020194</del>

<sup>2</sup>Non-shielded cutting may use a retaining cap or a combination deflector/retaining cap.



Minimum order quantity			1	1	5	5	1
Consumable type	Torch type	Amperage	Shield/Deflector	Retaining cap	Nozzle	Electrode	Swirl ring
Mechanized	Machine	40	<del>020492</del>	<del>020490</del>	<del>020396</del>	<del>120433 (Air) or 020193 (Nitrogen)</del>	<del>020194</del>
		70		<del>020336</del>			
		80	<del>020334</del>	<del>120966 (ohmic)</del>	<del>020397</del>		
		100					



Minimum order quantity			1	1	5	5	1
Consumable type	Torch type	Amperage	Shield	Retaining cap	Nozzle	Electrode	Swirl ring
Gouging	Hand/Machine	70	<del>020712</del>	<del>020336</del>	<del>020878</del>	<del>020744</del>	<del>020194</del>
		100			<del>120459</del>		

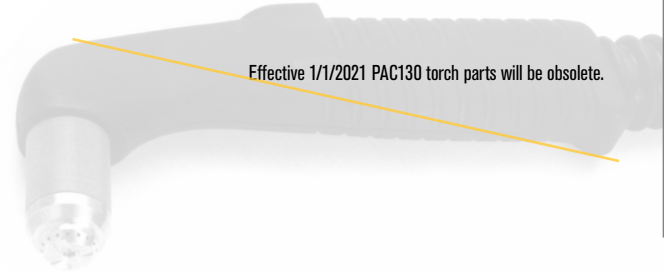
Selected consumables are no longer available.  
System upgrade is recommended.



# PAC130 hand torch parts

Effective 1/1/2021 torch parts will be obsolete. See pages 64–65 for system upgrade options.

For use with the MAX70/MAX100®




## PAC130 hand torch parts with quick disconnects

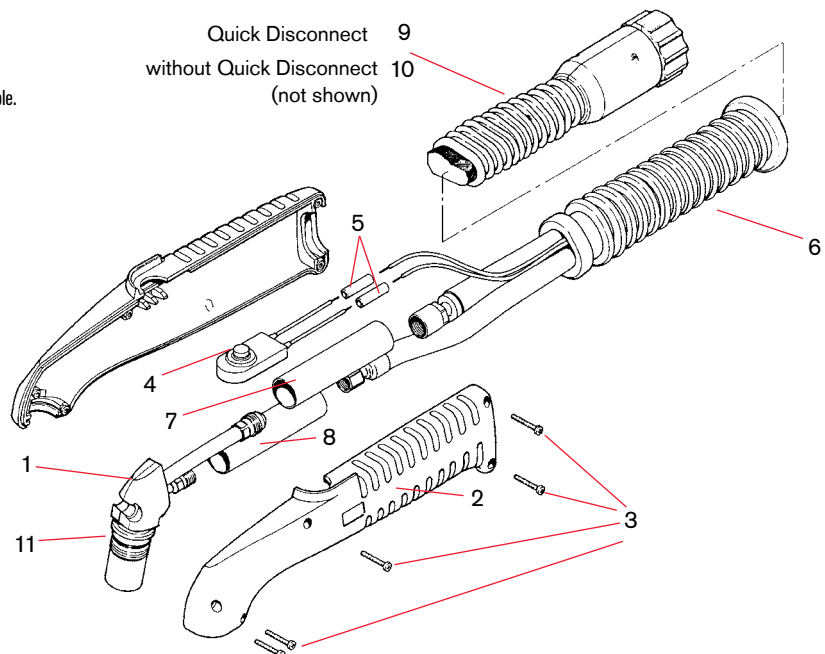
Item	Part number	Description
	<del>059093</del>	<del>Torch assembly with QD 7.6 m (25')</del>
	<del>059094</del>	<del>Torch assembly with QD 15.2 m (50')</del>
	<del>059095</del>	<del>Torch assembly with QD 22.8 m (75')</del>

## PAC130 hand torch parts without quick disconnects

Item	Part number	Description
	<del>059076</del>	<del>Torch assembly without QD 7.6 m (25')</del>
	<del>059077</del>	<del>Torch assembly without QD 15.2 m (50')</del>
	<del>059079</del>	<del>Torch assembly without QD 22.8 m (75')</del>
10	<del>029198</del>	<del>Leads, hand torch without QD 7.6 m (25')</del>
10	<del>029199</del>	<del>Leads, hand torch without QD 15.2 m (50')</del>
10	<del>029229</del>	<del>Leads, hand torch without QD 22.8 m (75')</del>
1	<del>020461</del>	<del>Torch main body</del>
2	<del>001214</del>	<del>Handle (both halves included)</del>
3	<del>075365</del>	<del>Screw, #6 x 3/4" (five required)</del>
4	<del>005094</del>	<del>Switch, pushbutton, torch</del>
5	<del>074069</del>	<del>Splice, butt, insulated (two required)</del>
6	<del>001217</del>	<del>Boot</del>
7	<del>024249</del>	<del>Negative lead insulator, 11/16 x 3 1/2"</del>
8	<del>020536</del>	<del>Pilot arc lead insulator, 9/16 x 2 1/2"</del>
9	<del>029667</del>	<del>Leads, hand torch with QD 7.6 m (25')</del>
9	<del>029668</del>	<del>Leads, hand torch with QD 15.2 m (50')</del>
9	<del>029669</del>	<del>Leads, hand torch with QD 22.8 m (75')</del>
11	<del>026018</del>	<del>O-ring, Silico</del>
	<del>023682</del>	<del>MAX70 work lead with clamp, 4.5 m (15')</del>
	<del>023209</del>	<del>MAX100 work lead with clamp, 7.6 m (25')</del>

\*Assembly includes consumables.

 Selected torches and repair parts are no longer available. System upgrade is recommended.



# MAX70/MAX100 machine torch parts

Effective 1/1/2021 torch parts will be obsolete. See pages 64–65 for system upgrade options.

For use with the MAX70/MAX100®

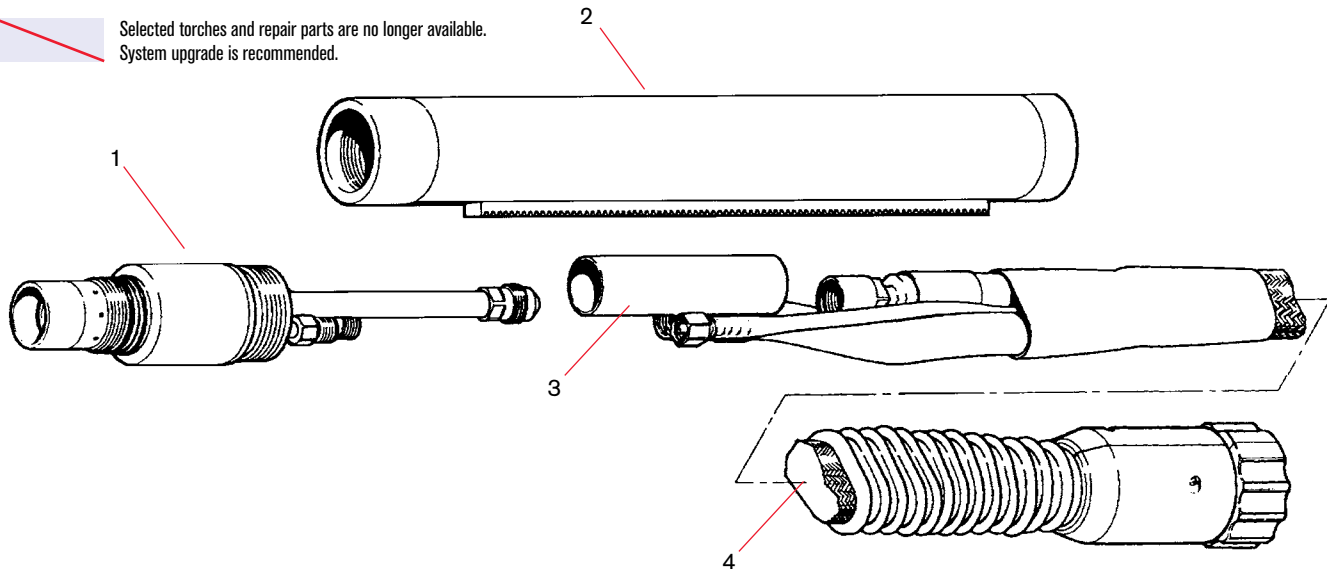
## MAX70/MAX100 machine torch parts with quick disconnects

Item	Part number	Description
	<del>059096</del>	<del>MAX100 torch assembly with QD 7.6 m (25')</del>
	<del>059238</del>	<del>MAX100 torch assembly with QD with 216 mm (8.5") torch sleeve 7.6 m (25')</del>
	<del>059167</del>	<del>MAX100 International torch assembly with QD 10.7 m (35')</del>
	<del>059239</del>	<del>MAX100 torch assembly with QD with 216 mm (8.5") torch sleeve 10.7 m (35')</del>
	<del>059097</del>	<del>MAX100 torch assembly with QD 15.2 m (50')</del>
	<del>059240</del>	<del>MAX100 torch assembly with QD with 216 mm (8.5") torch sleeve 15.2 m (50')</del>
	<del>059098</del>	<del>MAX100 torch assembly with QD 22.8 m (75')</del>
4	028524	Machine torch leads with QD 7.6 m (25')
4	028527	Machine torch leads with QD 10.7 m (35')
4	028525	Machine torch leads with QD 15.2 m (50')
4	028526	Machine torch leads with QD 22.8 m (75')

## MAX70/MAX100 machine torch parts with quick disconnects

Item	Part number	Description
4	<del>028326</del>	<del>Machine torch leads without QD 7.6 m (25') (not shown)</del>
4	<del>028330</del>	<del>Machine torch leads without QD 10.7 m (35') (not shown)</del>
4	<del>028327</del>	<del>Machine torch leads without QD 15.2 m (50') (not shown)</del>
4	<del>028335</del>	<del>Machine torch leads without QD 22.8 m (75') (not shown)</del>
1	<del>020201</del>	<del>Torch main body, 180°</del>
2	<del>020243</del>	<del>Torch position sleeve, 260.35 mm (10 1/4")</del>
2	<del>020270</del>	<del>Torch position sleeve, 457.2 mm (18")</del>
3	<del>024173</del>	<del>Pilot arc lead insulator, 9/16" x 2 1/2"</del>
	<del>023682</del>	<del>MAX70 work lead with clamp, 4.5 m (15')</del>
	<del>023209</del>	<del>MAX100 work lead with clamp, 7.6 m (25')</del>
	<del>028907</del>	<del>Work lead with clamp, 15.2 m (50')</del>

Selected torches and repair parts are no longer available. System upgrade is recommended.





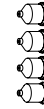
# Powermax1650®

A Duramax® retrofit torch upgrade is available see page 154. Available consumables for the Duramax retrofit torch see page 134-135.

## T100/T100M/T100M-2 torch consumables



Original consumables for the T100 torches remain available and are listed below.



Minimum order quantity			1	1	5	5	1
Consumable type	Torch type	Amperage	Shield/Deflector <sup>1</sup>	Retaining cap	Nozzle	Electrode	Swirl ring
Shielded	Hand	40	120929 <sup>1</sup>	120928	120932 <sup>1</sup>	120926 <sup>3</sup>	120925
		60			120931 <sup>1</sup>		
		80			120927 <sup>1</sup>		
		100	220065 <sup>1</sup>	220048	220011 <sup>1</sup>	220037 <sup>1</sup>	220051

<sup>1</sup>Consumable available in bulk packaging. See order information on next page.

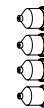
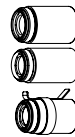


Minimum order quantity			1	1	5	5	1
Consumable type	Torch type	Amperage	Shield/Deflector	Retaining cap	Nozzle <sup>2</sup>	Electrode <sup>2</sup>	Swirl ring
Unshielded <sup>3</sup>	Hand/Machine	40	120979	120928	220006	120926 <sup>1</sup>	120925
		60			220007		
		80			120980		
		100	220048	220064	220037 <sup>1</sup>	220051	

<sup>1</sup>Consumable available in bulk packaging. See order information on next page.

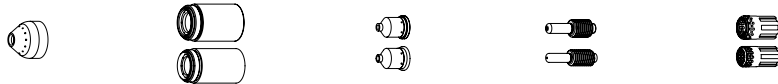
<sup>2</sup>In countries following CE standards, unshielded consumables may only be used in mechanized torch applications.

<sup>3</sup>CE shield for use in countries requiring CE, CCC, GOST marks.



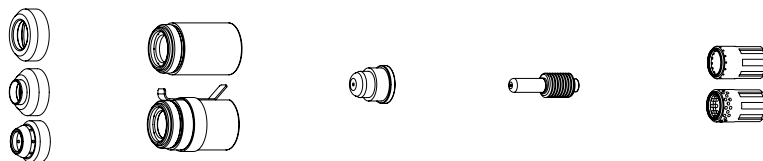
Minimum order quantity			1	1	5	5	1
Consumable type	Torch type	Amperage	Shield/Deflector	Retaining cap	Nozzle	Electrode	Swirl ring
Mechanized	Machine	40	120930 <sup>1</sup>	120928 220061 (ohmic)	120932 <sup>1</sup>	120926	120925
		60			120931 <sup>1</sup>		
		80			120927 <sup>1</sup>		
		100	220047 <sup>1</sup>	220048 220206 (ohmic)	220011 <sup>1</sup>	220037 <sup>1</sup>	220051

<sup>1</sup>Consumable available in bulk packaging. See order information on next page.



Minimum order quantity		1	1	5	5	1	
Consumable type	Torch type	Amperage	Shield/Deflector	Retaining cap	Nozzle	Electrode	Swirl ring
Gouging	Hand/Machine	60-80	120977	120928	220059	120926 <sup>1</sup>	120925
		100		220048	220063	220037 <sup>1</sup>	220051

<sup>1</sup>Consumable available in bulk packaging. See order information below.



Minimum order quantity		1	1	5	5	1	
Consumable type	Torch type	Amperage	Shield/Deflector	Retaining cap	Nozzle	Electrode	Swirl ring
FineCut®	Hand	40	120979	120928 220061 (ohmic)	220329	120926 <sup>1</sup>	220327
		40 CE <sup>2</sup>	220325				
	Machine	40	120979 220404 (ohmic)				120925
		40 CE <sup>2</sup>	220325 220404 (ohmic)				

<sup>1</sup>Consumable available in bulk packaging. See order information below.

<sup>2</sup>CE Shield for use in countries requiring CE,CCC,GOST marks.

### Consumable bulk kits

Order quantity	25	25	25	25	25	25	10	10	10	10
Bulk kit part number	228437	228443	228440	228442	228441	228438	228439	228601	228600	228444
Contents	120926 electrode	220037 electrode	120931 nozzle	220011 nozzle	120932 nozzle	120927 nozzle	120929 shield	120930 shield	220047 shield	220065 shield



# T100 hand torch parts

For use with the Powermax1650®

This torch is also compatible with the Powermax1250 and Powermax1000.

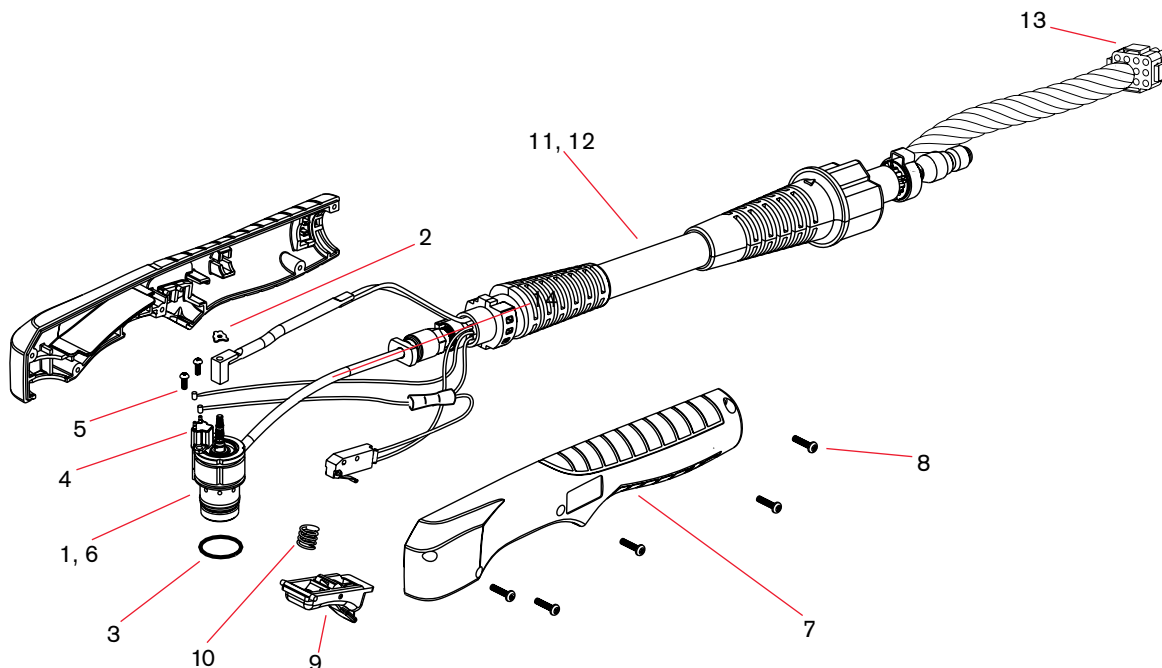


## T100 hand torch parts

Item	Part number	Description
	<del>059498</del>	<del>T100 hand torch assembly with 7.6 m (25') leads</del>
1	128767	Kit: T100 torch main body replacement (does not include cap sensor)
2	027889	Retaining clip
3	058519	O-ring
4	128639	Kit: Cap-off sensor replacement
5	075571	Cap-off sensor screw
6	128768	Kit: T100/T100M torch head repair (does not include head)
7	128644	Kit: T100 torch handle replacement
8	075714	Handle screws
9	002244	Safety trigger
10	027254	Trigger spring
11	128755	Kit: T100 lead replacement, 7.6 m (25')
12	128752	Kit: T100 lead replacement, 15.2 m (50')
13	128772	Kit: ETR connector repair (regional repair centers only)
14	128642	Kit: Start switch replacement
	123654	Work lead with clamp, 6.1 m (20')
	123655	Work lead with clamp, 15.2 m (50')

\*Assembly includes consumables.

 Selected torches and repair parts are no longer available.  
A Duramax® retrofit torch upgrade is available see page 154.





# T100M machine torch parts

For use with the Powermax1650®

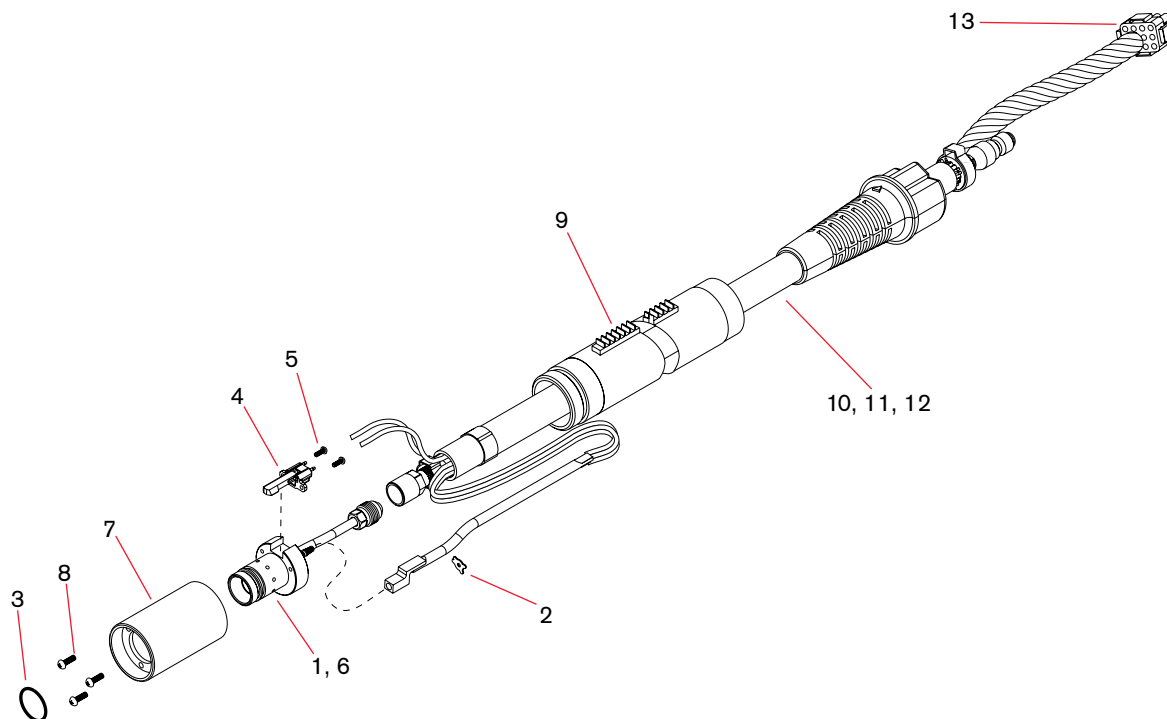
This torch is also compatible for the Powermax1250 and Powermax1000.



## T100M machine torch parts

Item	Part number	Description
	059309*	Test torch with 1.8 m (6') leads
1	128754	Kit: T100M torch main body replacement (does not include cap sensor)
2	027889	Retaining clip
3	058519	O-ring
4	128639	Kit: Cap sensor switch replacement
5	075571	Cap-off sensor screw
6	128768	Kit: T100/T100M torch head repair (does not include head)
7	128643	Kit: T100M mounting sleeve replacement
8	075004	Torch mounting screw
9	128710	Torch positioning sleeve
10	128753	Kit: T100/T100M lead replacement, 7.6 m (25')
11	128751	Kit: T100/T100M lead replacement, 10.7 m (35')
12	128759	Kit: T100/T100M lead replacement, 15.2 m (50')
13	128772	Kit: ETR connector repair (regional repair centers only)
	128645	Kit: Torch mounting (for reassembly after installation)
	128650	On/Off pendant for machine torch, 7.6 m (25')
	128651	On/Off pendant for machine torch, 15.2 m (50')
	128652	On/Off pendant for machine torch, 22.8 m (75')
	123654	Work lead with clamp, 6.1 m (20')
	123655	Work lead with clamp, 15.2 m (50')

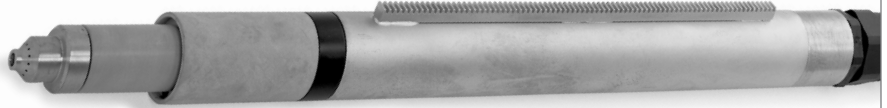
\*Assembly includes consumables.



# T100M-2 machine torch parts

For use with the Powermax1650®

This torch is also compatible for the Powermax1250 and Powermax1000.

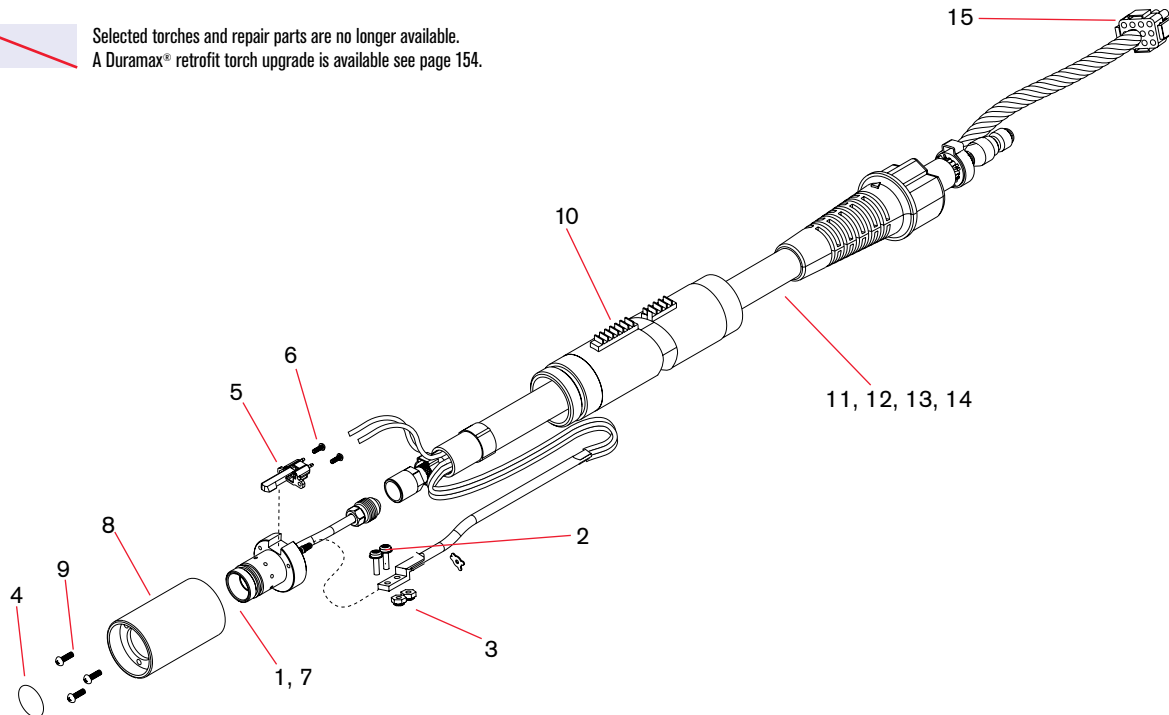


## T100M-2 machine torch parts

Item	Part number	Description
	<del>059501*</del>	<del>T100M-2 machine torch assembly with 7.6 m (25') leads</del>
	<del>059502*</del>	<del>T100M-2 machine torch assembly with 10.7 m (35') leads</del>
	<del>059503*</del>	<del>T100M-2 machine torch assembly with 15.2 m (50') leads</del>
	<del>059504*</del>	<del>T100M-2 machine torch assembly with 22.8 m (75') leads</del>
1	228523	Kit: T100M-2 torch main body replacement (does not include cap sensor)
2	075473	Machine screws
3	075503	Lock nuts
4	058519	O-ring
5	128639	Kit: Cap-off sensor replacement
6	075571	Cap-off sensor screw
7	228522	Kit: T100M-2 torch head repair
8	128643	Kit: Torch mounting sleeve replacement
9	075004	Torch mounting screw
10	128710	Torch positioning sleeve
11	228222	Kit: T100M-2 lead replacement, 7.6 m (25')
12	228223	Kit: T100M-2 lead replacement, 10.7 m (35')
13	228224	Kit: T100M-2 lead replacement, 15.2 m (50')
14	228225	Kit: T100M-2 lead replacement, 22.8 m (75')
15	128772	Kit: ETR connector repair (regional repair centers only)
	128645	Kit: Torch mounting (for reassembly after installation)

\*Assembly includes consumables.

 Selected torches and repair parts are no longer available.  
A Duramax® retrofit torch upgrade is available see page 154.

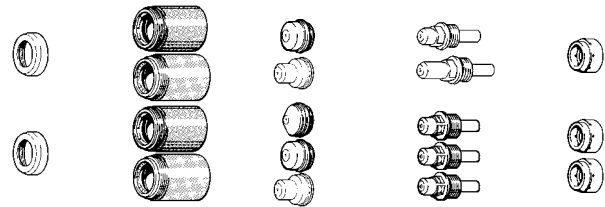




## PAC160/E hand torch and MAX100D machine torch consumables



Minimum order quantity					1	1	5	5	1
Consumable type	Torch type	Amperage	Plasma gas	Shield gas	Shield/Deflector	Retaining cap	Nozzle	Electrode	Swirl ring
Shielded – Mild steel/ stainless steel/aluminum	Hand	60	Nitrogen (N <sub>2</sub> )	Air	<del>020335</del>	<del>020756</del>	<del>120336</del>	<del>020193</del>	<del>020706</del>
		60		Carbon dioxide (CO <sub>2</sub> )		<del>020756</del>	<del>120336</del>		
		100		Air		<del>020946</del>	<del>020705</del>		
		100		Carbon dioxide (CO <sub>2</sub> )		<del>020946</del>	<del>020705</del>		
Shielded – Mild steel/ aluminum	Hand	60	Air	Air	<del>020335</del>	<del>020756</del>	<del>120336</del>	<del>120433</del>	<del>020706</del>
		100		Air	<del>020946</del>	<del>020705</del>			
Shielded – Stainless steel/ aluminum	Hand	100	H-35	Nitrogen (N <sub>2</sub> )	<del>020335</del>	<del>020946</del>	<del>020705</del>	<del>020193</del>	<del>020706</del>
Shielded – Stainless steel	Hand	100	H35-Nitrogen (N <sub>2</sub> )	Nitrogen (N <sub>2</sub> )	<del>020335</del>	<del>020946</del>	<del>020705</del>	<del>020193</del>	<del>020706</del>
Shielded – Aluminum	Hand	100	H-35	Air	<del>020335</del>	<del>020946</del>	<del>020705</del>	<del>020193</del>	<del>020706</del>



Minimum order quantity					1	1	5	5	1
Consumable type	Torch type	Amperage	Plasma gas	Shield gas	Shield/Deflector	Retaining cap	Nozzle	Electrode	Swirl ring
Unshielded'/Extended – Mild steel/aluminum	Hand/ Machine	60	Air	Air	<del>020333</del>	<del>020756</del>	<del>020922</del>	<del>120433</del>	<del>020706</del>
		100				<del>020946</del>	<del>020754</del>	<del>120444</del>	
Unshielded'/Extended – stainless steel	Hand/ Machine	30-40	Air	Air	<del>020333</del>	<del>020756</del>	<del>020921</del>	<del>020951</del>	<del>020950</del>
		60	Air	Air		<del>020756</del>	<del>020922</del>	<del>020193</del>	<del>020706</del>
		100	Nitrogen (N <sub>2</sub> )	Air		<del>020946</del>	<del>020754</del>	<del>020887</del>	<del>020706</del>


\*In countries following CE standards, unshielded consumables may only be used in mechanized torch applications.



Minimum order quantity					1	1	5	5	1
Consumable type	Torch type	Amperage	Plasma gas	Shield gas	Shield/Deflector	Retaining cap	Nozzle	Electrode	Swirl ring
Mechanized – Mild steel/ stainless steel/aluminum	Machine	60	Nitrogen (N <sub>2</sub> )	Air	<del>020334</del>	<del>020756</del>	<del>120336</del>	<del>020193</del>	<del>020706</del>
		60		Carbon dioxide (CO <sub>2</sub> )		<del>020756</del>	<del>120336</del>		
		100		Air		<del>020846</del>	<del>020705</del>		
		100		Carbon dioxide (CO <sub>2</sub> )		<del>020846</del>	<del>020705</del>		
Mechanized – Mild steel/ aluminum	Machine	60	Air	Air	<del>020334</del>	<del>020756</del>	<del>120336</del>	<del>120433</del>	<del>020706</del>
		100		Air	<del>020846</del>	<del>020705</del>			
Mechanized – Stainless steel/ aluminum	Machine	100	H-35	Nitrogen (N <sub>2</sub> )	<del>020334</del>	<del>020846</del>	<del>020705</del>	<del>020193</del>	<del>020706</del>
Mechanized – Stainless steel	Machine	100	H35-Nitrogen (N <sub>2</sub> )	Nitrogen (N <sub>2</sub> )	<del>020334</del>	<del>020846</del>	<del>020705</del>	<del>020193</del>	<del>020706</del>
Mechanized – Aluminum	Machine	100	H-35	Air	<del>020334</del>	<del>020846</del>	<del>020705</del>	<del>020193</del>	<del>020706</del>



Minimum order quantity					1	1	5	5	1
Consumable type	Torch type	Amperage	Plasma gas	Shield gas	Shield/Deflector	Retaining cap	Nozzle	Electrode	Swirl ring
Gouging – Mild steel/ stainless steel/aluminum	Hand/Machine	100	H-35	Air	<del>020712</del>	<del>020699</del>	<del>020704</del>	<del>020703</del>	<del>020750</del>
Gouging – stainless steel/ aluminum			H-35	Nitrogen (N <sub>2</sub> )			<del>020704</del>	<del>020703</del>	
Gouging – Mild steel			Air	Air			<del>020745</del>	<del>020744</del>	

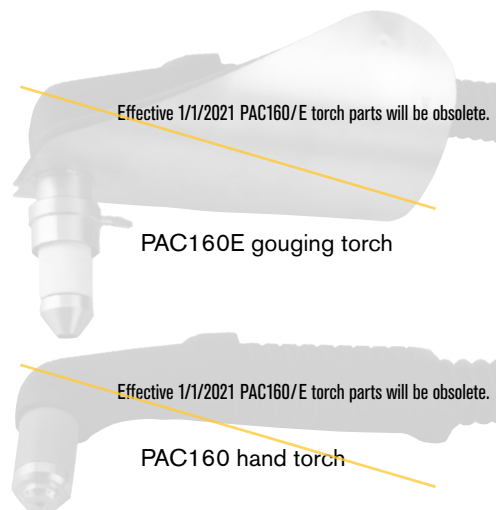
 Selected consumables are no longer available.  
System or torch upgrade is recommended.



# PAC160/E hand torch parts

Effective 1/1/2021 torch parts will be obsolete. See pages 64–65 for system upgrade options.


For use with the MAX1000®

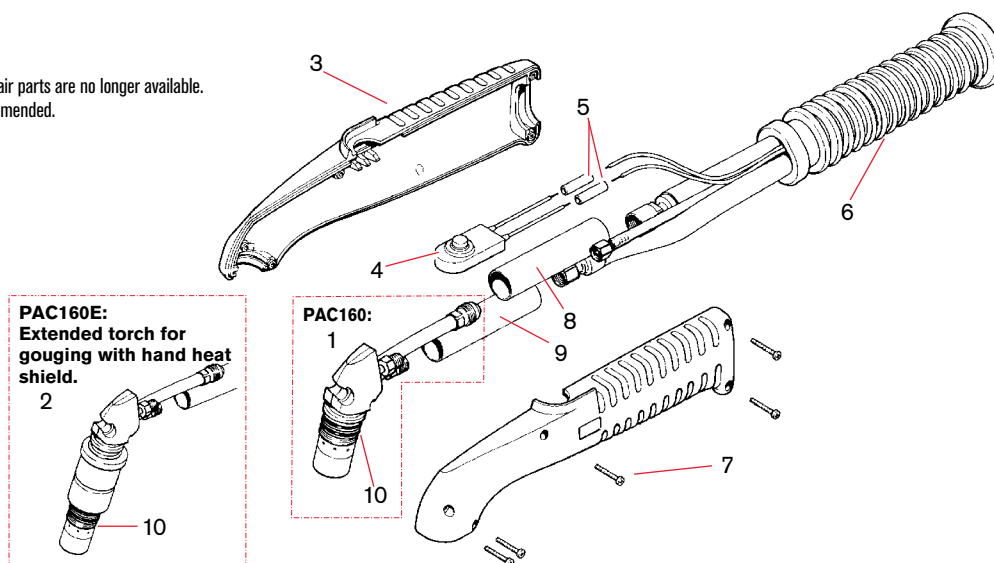


## PAC160/E hand torch parts

Item	Part number	Description
	020711	Hand heat shield (shown at left) – for PAC160E gouging torch only
1	020761	<del>PAC160 torch main body</del>
2	020693	<del>PAC160E torch main body</del>
3	001214	<del>Handle, MAX1000, hand torch (both halves included)</del>
4	005094	<del>Switch, pushbutton, torch</del>
5	074069	<del>Splice, butt, insulated (two required)</del>
6	001217	<del>Boot, MAX1000 torch</del>
7	075365	<del>Screw, #6 x 3/4" (five required)</del>
8	020468	<del>Negative lead insulator, 1116 x 312"</del>
9	020536	<del>Pilot arc lead insulator, 946 x 212"</del>
10	050019	<del>O-ring: Viton .801 x .071 (two required)</del>
	059124	<del>PAC160 hand torch assembly with 7.6 m (25') leads</del>
	059125	<del>PAC160 hand torch assembly with 15.2 m (50') leads</del>
	059126	<del>PAC160 hand torch assembly with 22.8 m (75') leads</del>
	059112	<del>PAC160E hand torch assembly with 7.6 m (25') leads</del>
	059113	<del>PAC160E hand torch assembly with 15.2 m (50') leads</del>
	059114	<del>PAC160E hand torch assembly with 22.8 m (75') leads</del>
	029730	<del>MAX1000 lead replacement with 7.6 m (25') leads</del>
	029731	<del>MAX1000 lead replacement with 15.2 m (50') leads</del>
	029732	<del>MAX1000 lead replacement with 22.8 m (75') leads</del>
	020558	<del>MAX1000 quick disconnect assembly</del>
	023209	<del>Work lead with clamp, 7.6 m (25')</del>

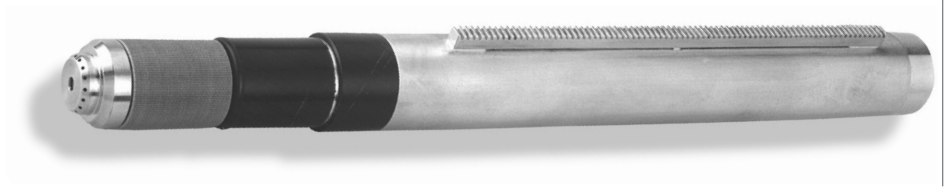
\*Assembly includes consumables.

 Selected torches and repair parts are no longer available. System upgrade is recommended.



# MAX100D machine torch parts

For use with the MAX100D®




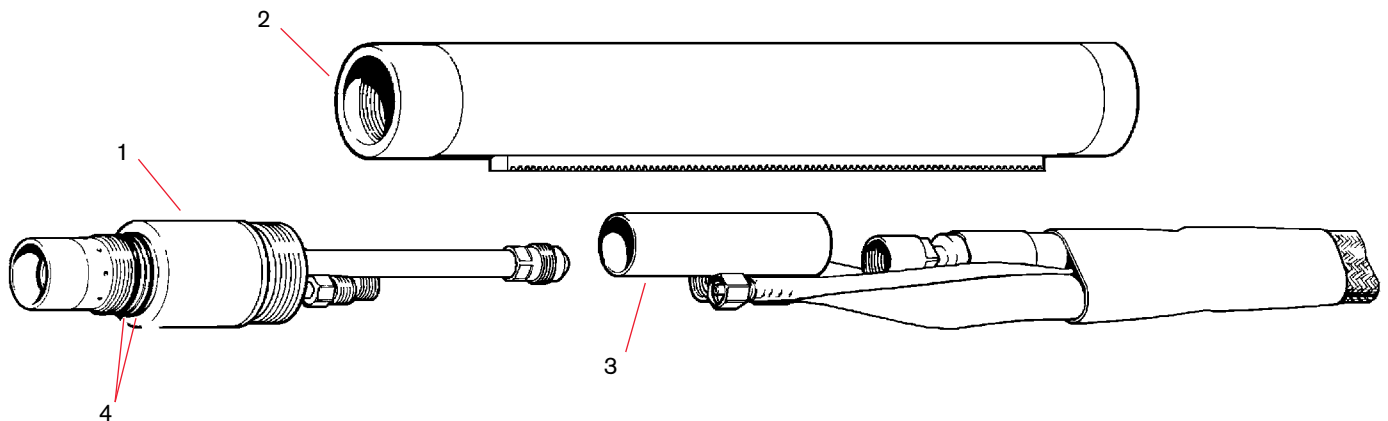
All service parts appearing on this page without a red line are now subject to manufacturer availability and will be priced upon request.

## MAX100D machine torch parts

Item	Part number	Description
	<del>028596</del>	<del>MAX100D machine torch assembly</del>
1	020713	MAX100D machine torch main body
2	020243	MAX100D torch positioning sleeve
3	020468	Negative lead insulator, 11/16 x 3/2"
4	058019	O-ring: Viton .801 x .071 (two required)
	<del>059115</del>	<del>MAX100D machine torch assembly with 7.6 m (25') leads</del>
	<del>059116</del>	<del>MAX100D machine torch assembly with 15.2 m (50') leads</del>
	<del>059117</del>	<del>MAX100D machine torch assembly with 22.8 m (75') leads</del>
	<del>028555</del>	<del>MAX100D machine torch leads, 7.6 m (25')</del>
	<del>028556</del>	<del>MAX100D machine torch leads, 15.2 m (50')</del>
	<del>028557</del>	<del>MAX100D machine torch leads, 22.8 m (75')</del>
	<del>028910</del>	<del>MAX100D quick disconnect assembly</del>
	<del>002190</del>	<del>Boot, 80/100 amp quick disconnect</del>
	<del>023209</del>	<del>Work lead with clamp, 7.6 m (25')</del>

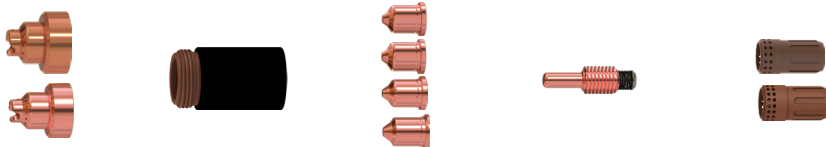
\*Assembly includes consumables.

 Selected torches and repair parts are no longer available. System upgrade is recommended.



# Duramax® HRT/HRTs/MRT retrofit torch

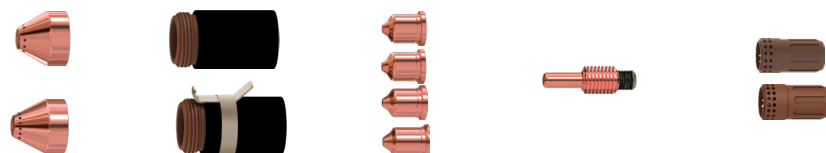
For Powermax1000®/Powermax1250®/Powermax1650®



Minimum order quantity			1	1	5	5	1
Consumable type	Torch type	Amperage	Shield/Deflector	Retaining cap	Nozzle	Electrode	Swirl ring
Drag-cutting	Hand	45	220818 <sup>1</sup>	220854	220941 <sup>1</sup>	220842 <sup>1</sup> or 220777 <sup>1,2</sup>	220857
		65	220818 <sup>1</sup>		220819 <sup>1</sup>		220857
		85	220818 <sup>1</sup>		220816 <sup>1</sup>		220857
		105	220992 <sup>1</sup>		220990 <sup>1</sup>		220994

<sup>1</sup>Consumable available in bulk packaging. See order information on next page.

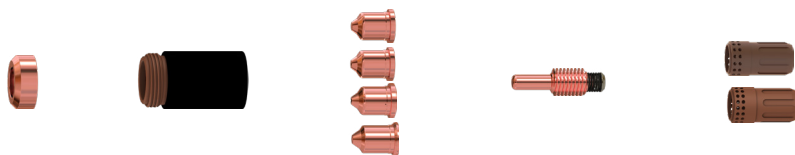
<sup>2</sup>For longer consumable life when cutting metal 1/2 inch (12 mm) and under, check out the CopperPlus electrode (part number 220777).



Minimum order quantity			1	1	5	5	1
Consumable type	Torch type	Amperage	Shield/Deflector	Retaining cap	Nozzle	Electrode	Swirl ring
Mechanized	Machine	45	220817 <sup>1</sup>	220854 220953 (ohmic)	220941 <sup>1</sup>	220842 <sup>1</sup> or 220777 <sup>1,2</sup>	220857
		65	220817 <sup>1</sup>		220819 <sup>1</sup>		220857
		85	220817 <sup>1</sup>		220816 <sup>1</sup>		220857
		105	220993 <sup>1</sup>		220990 <sup>1</sup>		220994

<sup>1</sup>Consumable available in bulk packaging. See order information on next page.

<sup>2</sup>For longer consumable life when cutting metal 1/2 inch (12 mm) and under, check out the CopperPlus electrode (part number 220777).



Minimum order quantity			1	1	5	5	1
Consumable type	Torch type	Amperage	Shield/Deflector	Retaining cap	Nozzle	Electrode	Swirl ring
Unshielded	Machine	45	220955	220854	220941	220842 <sup>1</sup>	220857
		65			220819		220857
		85			220816		220857
		105			220990		220994

<sup>1</sup>Consumable available in bulk packaging. See order information on next page.



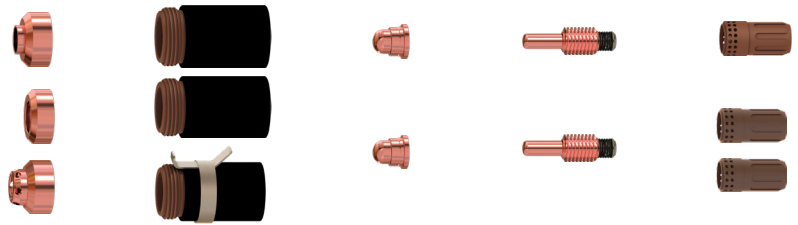


Minimum order quantity		1	1	5	5	1	
Consumable type	Torch type	Amperage	Shield/Deflector	Retaining cap	Nozzle	Electrode	Swirl ring
Max removal gouging <sup>a</sup>	Hand/Machine	45-105	220798	220854	220797 <sup>1</sup>	220842 <sup>1</sup>	220857
		105			220991 <sup>1</sup>		220994
Max control gouging <sup>a</sup>	Hand/Machine	45-105	420480	220854	220797 <sup>1</sup>	220842 <sup>1</sup>	220857
		105			220991 <sup>1</sup>		220994

<sup>1</sup>Consumable available in bulk packaging. See order information below.

<sup>a</sup>The max removal gouging shield is designed for aggressive metal removal, a deep gouge profiles and extreme metal washing.

<sup>a</sup>The max control gouging shield is designed for more precise metal removal, a shallower gouge profile and light material washing.



Minimum order quantity		1	1	5	5	1	
Consumable type	Torch type	Amperage	Shield/Deflector	Retaining cap	Nozzle	Electrode	Swirl ring
FineCut <sup>®</sup>	Hand	30-45	220931	220854		220842 <sup>1</sup>	220947
	Machine	30-45	220955 220948 (ohmic)	220854 220953 (ohmic)	220930 <sup>1</sup>		220857

<sup>1</sup>Consumable available in bulk packaging. See order information below.



Minimum order quantity		1	1	1	1	1
Consumable type	Torch type	Retaining cap	Nozzle	Electrode	Swirl ring	
HyAccess drag-cutting (30-65 A)	Hand	420413	420410	420408	220857	
HyAccess gouging (30-55 A)			420412			
Quantity in kit		1	1	1	2	1
HyAccess kit - 428414 (30-65 A)	Hand	420413	420410 (cutting)	420412 (gouging)	420408	220857
HyAccess cutting only starter pack - 428445 <sup>4</sup>						
HyAccess gouging only starter pack - 428446 <sup>5</sup>						

Warning: The Duramax HyAccess (65 amps and below) consumables should not be operated above 65 amps

<sup>4</sup>Starter pack contains 1 retaining cap (420413), 1 cutting nozzle (420410) and 1 electrode (420408)

<sup>5</sup>Starter pack contains 1 retaining cap (420413), 1 gouging nozzle (420412) and 1 electrode (420408)

### Duramax<sup>®</sup> consumable bulk kits

Order quantity	25	25	25	25	25	25	25	25	25	10	10	10	10
Bulk kit part number	228934	228767	228760	228759	228761	228762	228765	228797	228796	228798	228799	228763	228764
Contents	220777 electrode	220842 electrode	220816 nozzle	220819 nozzle	220930 nozzle	220797 nozzle	220941 nozzle	220990 nozzle	220991 nozzle	220992 shield	220993 shield	220817 shield	220818 shield



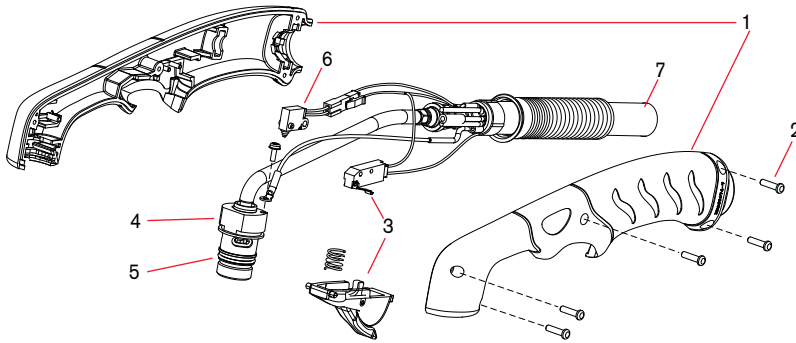
# Duramax® HRT/HRTs hand torch parts



## Duramax HRT hand torch parts

Item	Part number	Description
	228788	HRT hand torch assembly with 7.6 m (25') lead
	228789	HRT hand Torch Assembly with 15.2 m (50') lead
5	058519	O-ring
	075504	Pilot terminal screw
2	075714 <sup>1</sup>	Handle screws, #4 x 1/2 slotted TORX pan head, S/B
1	228954	Kit: Duramax 75°/ HRT Torch handle replacement
6	228719	Kit: Duramax 75°/HRT Cap-sensor switch replacement
3	228721	Kit: Duramax 15°/Duramax 75°/HRT/HRTs Safety trigger with spring replacement
7	228952 <sup>2</sup>	Kit: HRT/HRTs Torch lead replacement, 7.6 m (25'), coupler with 12.7 mm (1/2") threads
	228953 <sup>3</sup>	Kit: HRT/HRTs Torch lead replacement, 15.2 m (50'), coupler with 12.7 mm (1/2") threads
4	228792 <sup>1</sup>	Kit: HRT Torch main body replacement, coupler with 9.5 mm (3/8") threads
	228950 <sup>1</sup>	Kit: HRT Torch main body replacement, coupler with 12.7 mm (1/2") threads

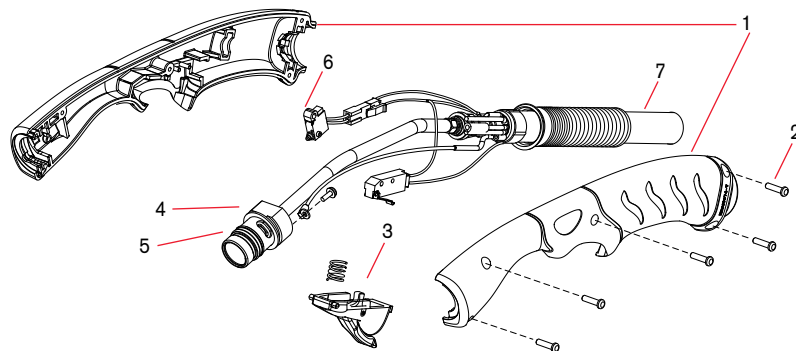
<sup>1</sup>Before purchasing this part check the torch built date.



## Duramax HRTs hand torch parts

Item	Part number	Description
	228807	HRTs hand torch assembly with 7.6 m (25') lead
5	058519	O-ring
	075504	Pilot terminal screw
2	075714 <sup>1</sup>	Handle screws, #4 x 1/2 slotted TORX pan head, S/B
1	228955	Kit: Duramax 15°/ HRTs Torch handle replacement
6	228109	Kit: Duramax 15°/HRTs Cap-sensor switch replacement
3	228721	Kit: Duramax 15°/Duramax 75°/HRT/HRTs Safety trigger with spring replacement
7	228952 <sup>2</sup>	Kit: HRT/HRTs Torch lead replacement, 7.6 m (25'), coupler with 12.7 mm (1/2") threads
	228953 <sup>3</sup>	Kit: HRT/HRTs Torch lead replacement, 15.2 m (50'), coupler with 12.7 mm (1/2") threads
4	228951 <sup>1</sup>	Kit: HRTs Torch main body replacement, coupler with 12.7 mm (1/2") threads

<sup>1</sup>Before purchasing this part check the torch built date.



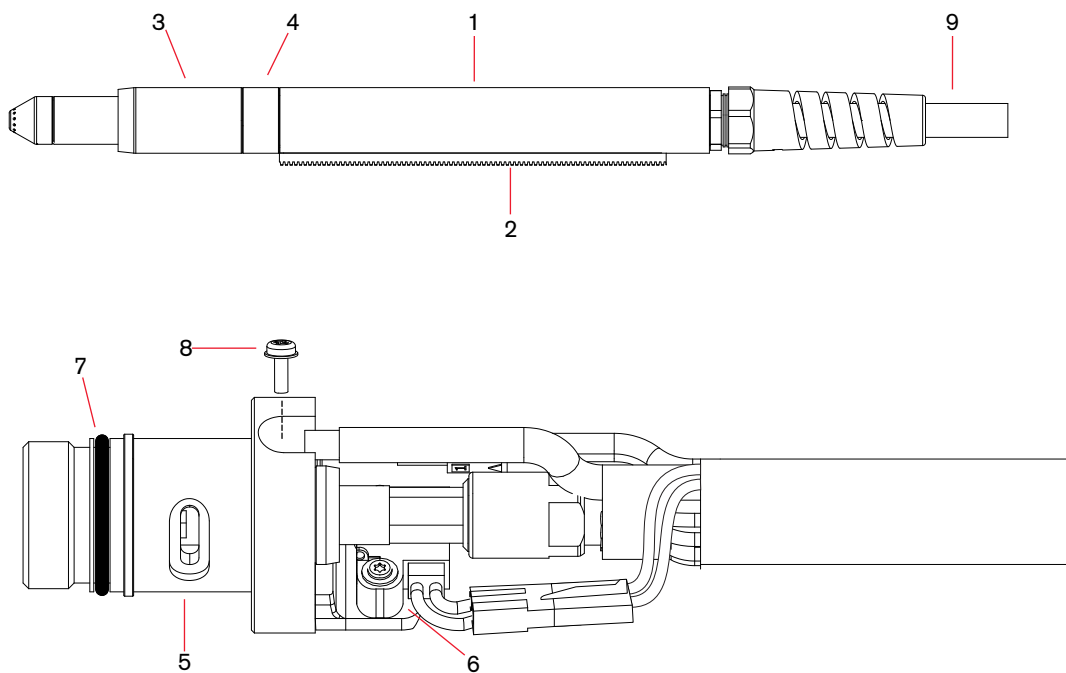
# Duramax® MRT machine torch parts



## Duramax MRT machine torch parts

Item	Part number	Description
	228790 <sup>1</sup>	MRT machine torch assembly with 7.6 m (25') lead
	228791 <sup>1</sup>	MRT machine torch assembly with 15.2 m (50') lead
1	228737	Kit: M65/M85/MRT positioning sleeve
2	228738	Kit: M65/M85/MRT removable gear rack
3	228735	Kit: M65/M65m/M85/M85m/MRT front mounting sleeve
4	228736	Kit: M65/M65m/M85/M85m/MRT adapter ring (coupler)
5	228793	Kit: MRT torch main body replacement
6	228720	Kit: Cap-sensor switch replacement
7	058519	O-ring
8	075504	Pilot terminal screw
9	228786	Kit: MRT torch lead replacement, 7.6 m (25')
9	228787	Kit: MRT torch lead replacement, 15.2 m (50')
	128650	Remote start pendant for machine torch, 7.6 m (25')
	128651	Remote start pendant for machine torch, 15.2 m (50')
	128772	Kit: ETR connector repair (regional repair centers only)

<sup>1</sup>Assembly includes a variety of Duramax consumables.



# Duramax® HRT/MRT retrofit torch

For Powermax600®/Powermax800®/Powermax900® and MAX42®/MAX43®



Minimum order quantity		1	1	5	5	1	
Consumable type	Torch type	Amperage	Shield/Deflector	Retaining cap	Nozzle	Electrode	Swirl ring
Drag-cutting	Hand	40-55	220818 <sup>1</sup>	220854	220941 <sup>1</sup>	220842 <sup>1</sup> or 220777 <sup>2</sup>	220857

<sup>1</sup>Consumable available in bulk packaging. See order information on next page.

<sup>2</sup>For longer consumable life when cutting metal 1/2 inch (12 mm) and under, check out the CopperPlus electrode (part number 220777).



Minimum order quantity		1	1	5	5	1	
Consumable type	Torch type	Amperage	Shield/Deflector	Retaining cap	Nozzle	Electrode	Swirl ring
Mechanized	Machine	40-55	220817 <sup>1</sup>	220854 220953 (ohmic)	220941 <sup>1</sup>	220842 <sup>1</sup> or 220777 <sup>2</sup>	220857

<sup>1</sup>Consumable available in bulk packaging. See order information on next page.

<sup>2</sup>For longer consumable life when cutting metal 1/2 inch (12 mm) and under, check out the CopperPlus electrode (part number 220777).



Minimum order quantity		1	1	5	5	1	
Consumable type	Torch type	Amperage	Shield/Deflector	Retaining cap	Nozzle	Electrode	Swirl ring
Unshielded	Machine	40-55	220955	220854	220941 <sup>1</sup>	220842 <sup>1</sup>	220857

<sup>1</sup>Consumable available in bulk packaging. See order information on next page.



Minimum order quantity		1	1	5	5	1	
Consumable type	Torch type	Amperage	Shield/Deflector	Retaining cap	Nozzle	Electrode	Swirl ring
Max removal gouging <sup>3</sup>	Hand/Machine	45-65	220798	220854	220797 <sup>1</sup>	220842 <sup>1</sup>	220857
Max control gouging <sup>4</sup>	Hand/Machine	45-65	420480	220854	220797 <sup>1</sup>		220857

<sup>1</sup>Consumable available in bulk packaging. See order information on next page.

<sup>3</sup>The max removal gouging shield is designed for aggressive metal removal, a deep gouge profiles and extreme metal washing.

<sup>4</sup>The max control gouging shield is designed for more precise metal removal, a shallower gouge profile and light material washing.



Minimum order quantity		1	1	5	5	1	
Consumable type	Torch type	Amperage	Shield/Deflector	Retaining cap	Nozzle	Electrode	Swirl ring
FineCut®	Hand	30-45	220931	220854	220930 <sup>1</sup>	220842 <sup>1</sup>	220947
	Machine		220955	220854			220857
			220948 (ohmic)	220953 (ohmic)			

<sup>1</sup>Consumable available in bulk packaging. See order information below.



Minimum order quantity		1	1	1	1	
Consumable type	Torch type	Retaining cap	Nozzle	Electrode	Swirl ring	
HyAccess drag-cutting (30-65 A)	Hand	420413	420410	420408	220857	
HyAccess gouging (30-55 A)			420412			
Quantity in kit		1	1	1	2	1
HyAccess kit - 428414 (30-65 A)	Hand	420413	420410 (cutting)	420412 (gouging)	420408	220857
HyAccess cutting only starter pack - 428445 <sup>4</sup>						
HyAccess gouging only starter pack - 428446 <sup>5</sup>						



Warning: The Duramax HyAccess (65 amps and below) consumables should not be operated above 65 amps

<sup>4</sup>Starter pack contains 1 retaining cap (420413), 1 cutting nozzle (420410) and 1 electrode (420408)

<sup>5</sup>Starter pack contains 1 retaining cap (420413), 1 gouging nozzle (420412) and 1 electrode (420408)

### Duramax® consumable bulk kits

Order quantity	25	25	25	25	25	10
Bulk kit part number	228934	228767	228765	228762	228761	228763
Contents	220777 electrode	220842 electrode	220941 nozzle	220797 nozzle	220930 nozzle	220817 shield




# Duramax® HRT hand torch parts

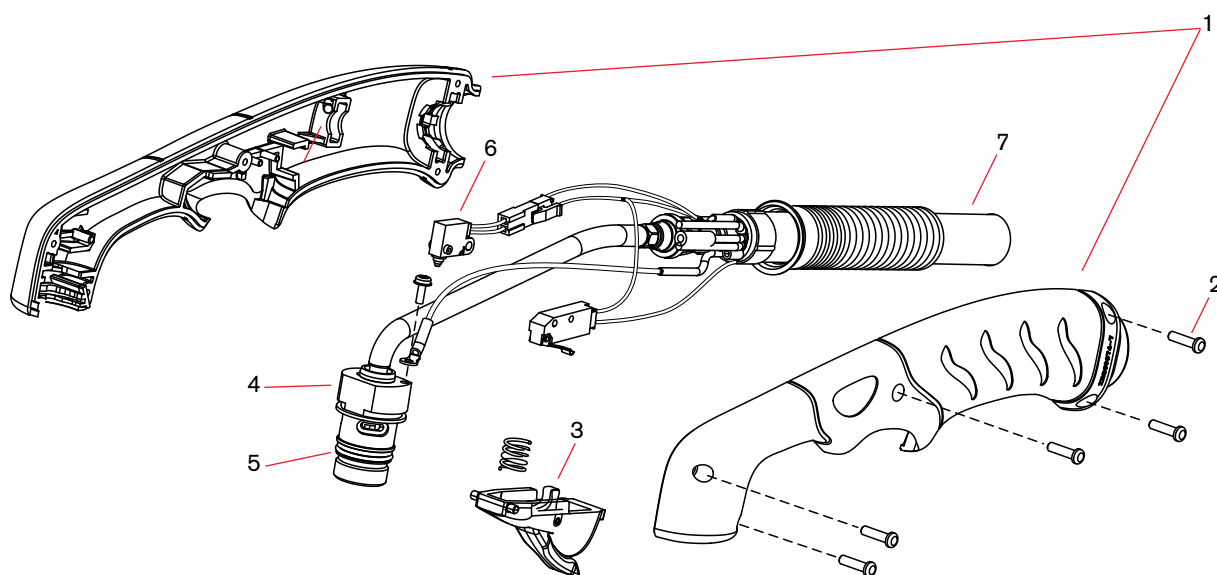


## Duramax HRT hand torch parts

Item	Part number	Description
	228916 <sup>1</sup>	HRT hand torch assembly with 7.6 m (25') lead
	228917 <sup>1</sup>	HRT hand torch assembly with 15.2 m (50') lead
	228918 <sup>1</sup>	HRT hand torch assembly with 7.6 m (25') lead, without quick disconnect
	<del>228919<sup>1</sup></del>	<del>HRT hand torch assembly with 15.2 m (50') lead, without quick disconnect</del>
1	228954	Kit: Duramax 75°/HRT Torch handle replacement
2	075714	Handle screws, #4 x 1/2 slotted TORX pan head, S/B
3	228721	Kit: Duramax 75°/Duramax 15°/HRT (spring and trigger assembly)
4	228950	Kit: HRT Torch main body replacement
5	058519	O-ring
6	228719	Kit: Duramax 75°/HRT Cap-sensor switch replacement
7	228924	Kit: HRT Torch lead replacement, 7.6 m (25')
7	228925	Kit: HRT Torch lead replacement, 15.2 m (50')
7	228926	Kit: HRT Torch lead replacement, 7.6 m (25'), without quick disconnect
7	228927	Kit: HRT Torch lead replacement, 15.2 m (50'), without quick disconnect
	128926	Kit: Quick disconnect repair (regional repair centers only)

<sup>1</sup>Assembly includes a variety of Duramax consumables.

 Selected torches and repair parts are no longer available. System upgrade is recommended. See pages 64–65 for systems by amperage.



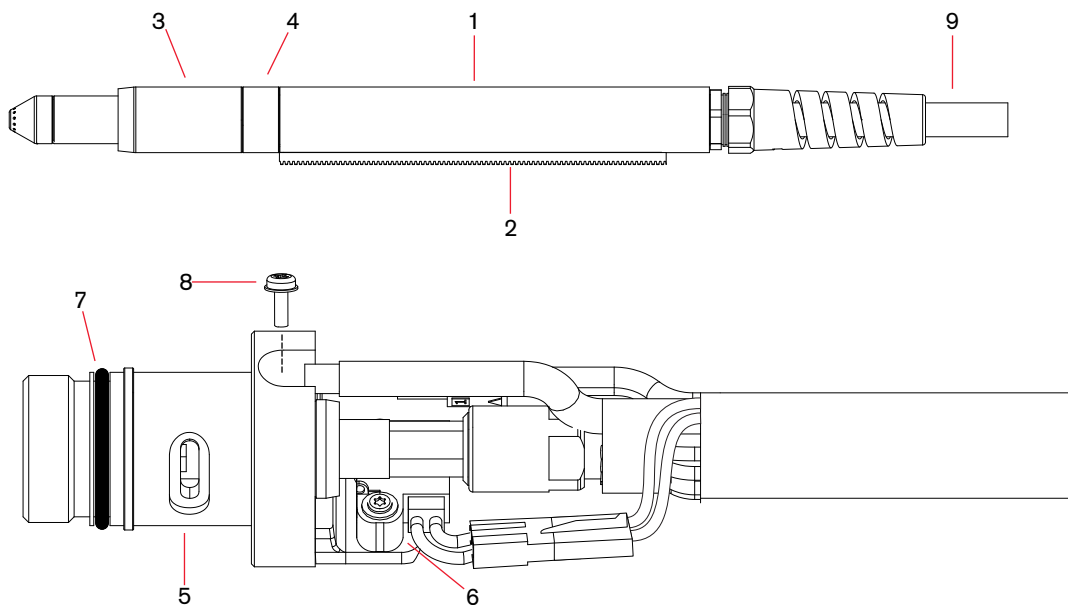
# Duramax<sup>®</sup> MRT machine torch parts



## Duramax MRT machine torch parts

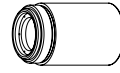
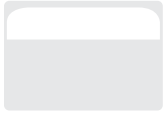
Item	Part number	Description
	228920*	MRT machine torch assembly with 7.6 m (25') lead
	228921*	MRT machine torch assembly with 15.2 m (50') lead
	228922*	MRT machine torch assembly with 7.6 m (25') lead, without quick disconnect
1	228737	Kit: Duramax 180°/MRT positioning sleeve
2	228738	Kit: Duramax 180°/MRT removable gear rack
3	228735	Kit: Duramax 180°/Duramax 180° mini/MRT front mounting sleeve
4	228736	Kit: Duramax 180°/Duramax 180° mini/MRT adapter ring (coupler)
5	228793	Kit: MRT torch main body replacement
6	228720	Kit: Cap-sensor switch replacement (includes screws)
7	058519	O-ring
8	075504	Pilot terminal screw
9	228928	Kit: MRT torch lead replacement, 7.6 m (25')
9	228929	Kit: MRT torch lead replacement, 15.2 m (50')
9	228930	Kit: MRT torch lead replacement, 7.6 m (25'), without quick disconnect
9	228931	Kit: MRT torch lead replacement, 15.2 m (50'), without quick disconnect
	128926	Kit: Quick disconnect repair (regional repair centers only)

\*Assembly includes a variety of Duramax consumables.



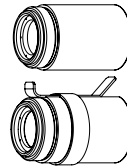
# RT60/RT60M retrofit torch

For Powermax600®/Powermax800®/Powermax900® and MAX42/MAX43®



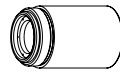
Minimum order quantity			1	1	5	5	1
Consumable type	Torch type	Amperage	Shield/Deflector	Retaining cap	Nozzle	Electrode	Swirl ring
Shielded	Hand	40	120929 <sup>1</sup>	120928	120932 <sup>1</sup>	120926 <sup>1</sup>	120925
		60			120931 <sup>1</sup>		

<sup>1</sup>Consumable available in bulk packaging. See order information on next page.



Minimum order quantity			1	1	5	5	1
Consumable type	Torch type	Amperage	Shield/Deflector	Retaining cap	Nozzle	Electrode	Swirl ring
Mechanized	Machine	40	120930 <sup>1</sup>	120928	120932 <sup>1</sup>	120926 <sup>1</sup>	120925
		60		220061 (ohmic)	120931 <sup>1</sup>		

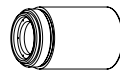
<sup>1</sup>Consumable available in bulk packaging. See order information on next page.



Minimum order quantity			1	1	5	5	1
Consumable type	Torch type	Amperage	Shield/Deflector	Retaining cap	Nozzle	Electrode	Swirl ring
Unshielded <sup>2</sup>	Hand/Machine	40	120979	120928	220006	120926 <sup>1</sup>	120925
		60			220007		

<sup>1</sup>Consumable available in bulk packaging. See order information on next page.

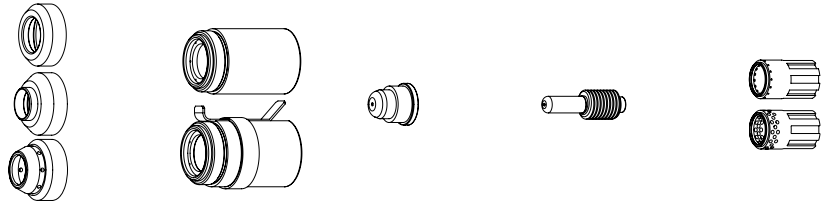
<sup>2</sup>In countries following CE standards, unshielded consumables may only be used in mechanized torch applications.



Minimum order quantity			1	1	5	5	1
Consumable type	Torch type	Amperage	Shield/Deflector	Retaining cap	Nozzle	Electrode	Swirl ring
Gouging	Hand/Machine	60	120977	120928	220059	120926 <sup>1</sup>	120925

<sup>1</sup>Consumable available in bulk packaging. See order information on next page.





Minimum order quantity		1	1	5	5	1	
Consumable type	Torch type	Amperage	Shield/Deflector	Retaining cap	Nozzle	Electrode	Swirl ring
FineCut®	Hand	40	120979	120928	220329	120926 <sup>1</sup>	220327
		40 CE <sup>2</sup>	220325				120925
	Machine	40	120979 220404 (ohmic)	120928 220061 (ohmic)			
		40 CE	220325 220404 (ohmic)				

<sup>1</sup>Consumable available in bulk packaging. See order information on next page.

<sup>2</sup>CE Shield for use in countries requiring CE,CCC,GOST marks.

### Consumable bulk kits

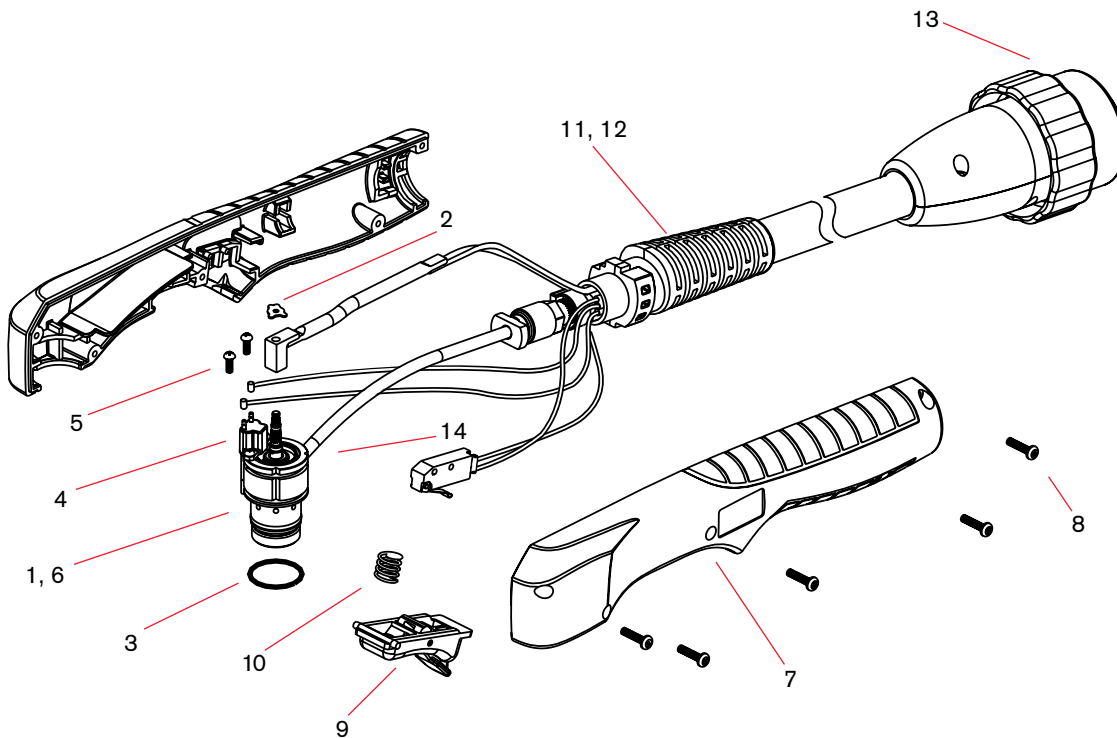
Order quantity	25	25	25	10	10
Bulk kit part number	228437	228440	228441	228439	228601
Contents	120926 electrode	120931 nozzle	120932 nozzle	120929 shield	120930 shield

# RT60 hand torch parts



## RT60 hand torch parts

Item	Part number	Description
1	128564	Torch main body
2	027889	Retaining clip
3	058519	O-ring
4	128639	Kit: cap-off sensor replacement
5	075571	Cap-off sensor screws
6	128521	Kit: torch head repair (does not include head, includes screws)
7	128644	Kit: handle
8	075586	Handle screws
9	002244	Safety trigger
10	027254	Spring
13	128926	Kit: RT60/RT60M quick disconnect repair
14	128642	Kit: Start switch replacement

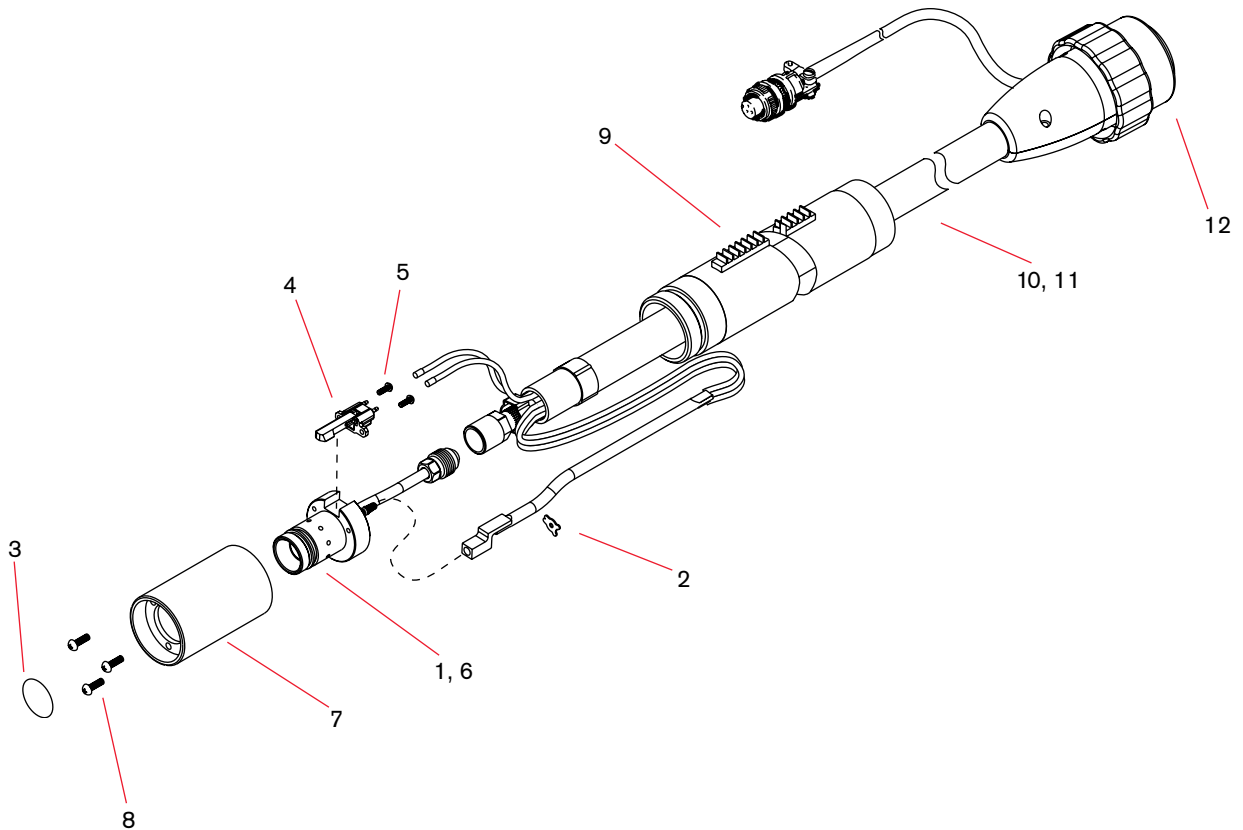


# RT60M machine torch parts



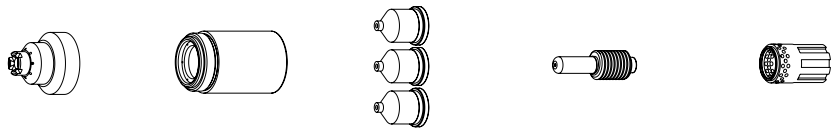
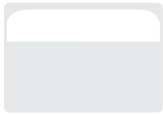
## RT60M machine torch parts

Item	Part number	Description
2	027889	Retaining clip
3	058519	O-ring
4	128639	Kit: cap-off sensor replacement
5	075571	Cap-off sensor screw
6	128521	Kit: torch head repair (does not include head, includes screws)
7	128643	Kit: torch mounting sleeve replacement
8	075618	Torch mounting screw
9	128710	Torch positioning sleeve
12	128926	Kit: RT60/RT60M quick disconnect repair
	128645	Torch mounting kit (for reassembly after installation)



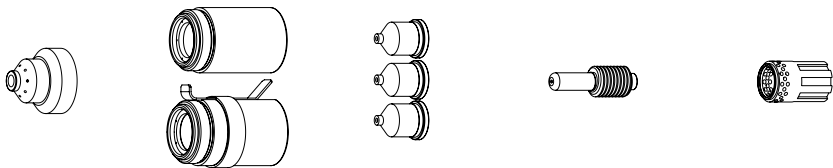
# RT80/RT80M retrofit torch

For Powermax1100®



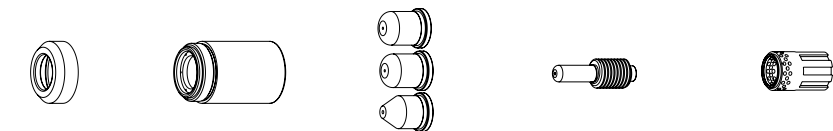
Minimum order quantity			1	1	5	5	1
Consumable type	Torch type	Amperage	Shield/Deflector	Retaining cap	Nozzle	Electrode	Swirl ring
Shielded	Hand	40	120929 <sup>1</sup>	120928	120932 <sup>1</sup>	120926 <sup>1</sup>	120925
		60			120931 <sup>1</sup>		
		80			120927 <sup>1</sup>		

<sup>1</sup>Consumable available in bulk packaging. See order information on next page.



Minimum order quantity			1	1	5	5	1
Consumable type	Torch type	Amperage	Shield/Deflector	Retaining cap	Nozzle	Electrode	Swirl ring
Mechanized	Machine	40	120930 <sup>1</sup>	120928 220061 (ohmic)	120932 <sup>1</sup>	120926 <sup>1</sup>	120925
		60			120931 <sup>1</sup>		
		80			120927 <sup>1</sup>		

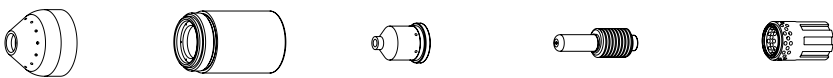
<sup>1</sup>Consumable available in bulk packaging. See order information on next page.



Minimum order quantity			1	1	5	5	1
Consumable type	Torch type	Amperage	Shield/Deflector	Retaining cap	Nozzle	Electrode	Swirl ring
Unshielded <sup>2</sup>	Hand/Machine	40	120979	120928	220006	120926 <sup>1</sup>	120925
		60			220007		
		80			120980		

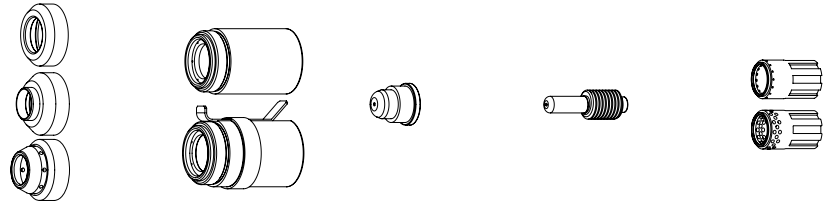
<sup>1</sup>Consumable available in bulk packaging. See order information on next page.

<sup>2</sup>In countries following CE standards, unshielded consumables may only be used in mechanized torch applications.



Minimum order quantity			1	1	5	5	1
Consumable type	Torch type	Amperage	Shield/Deflector	Retaining cap	Nozzle	Electrode	Swirl ring
Gouging	Hand/Machine	60-80	120977	120928	220059	120926 <sup>1</sup>	120925

<sup>1</sup>Consumable available in bulk packaging. See order information on next page.



Minimum order quantity		1	1	5	5	1	
Consumable type	Torch type	Amperage	Shield/Deflector	Retaining cap	Nozzle	Electrode	Swirl ring
FineCut®	Hand	40	120979	120928	220329	120926 <sup>1</sup>	220327
		40 CE <sup>2</sup>	220325				
	Machine	40	120979 220404 (ohmic)	120928 220061 (ohmic)			120925
		40 CE	220325 220404 (ohmic)				

<sup>1</sup>Consumable available in bulk packaging. See order information on next page.

<sup>2</sup>CE Shield for use in countries requiring CE,CCC,GOST marks.

### Consumable bulk kits

Order quantity	25	25	25	25	10	10
Bulk kit part number	228437	228440	228441	228438	228439	228601
Contents	120926 electrode	120931 nozzle	120932 nozzle	120927 nozzle	120929 shield	120930 shield


# RT80 hand torch parts

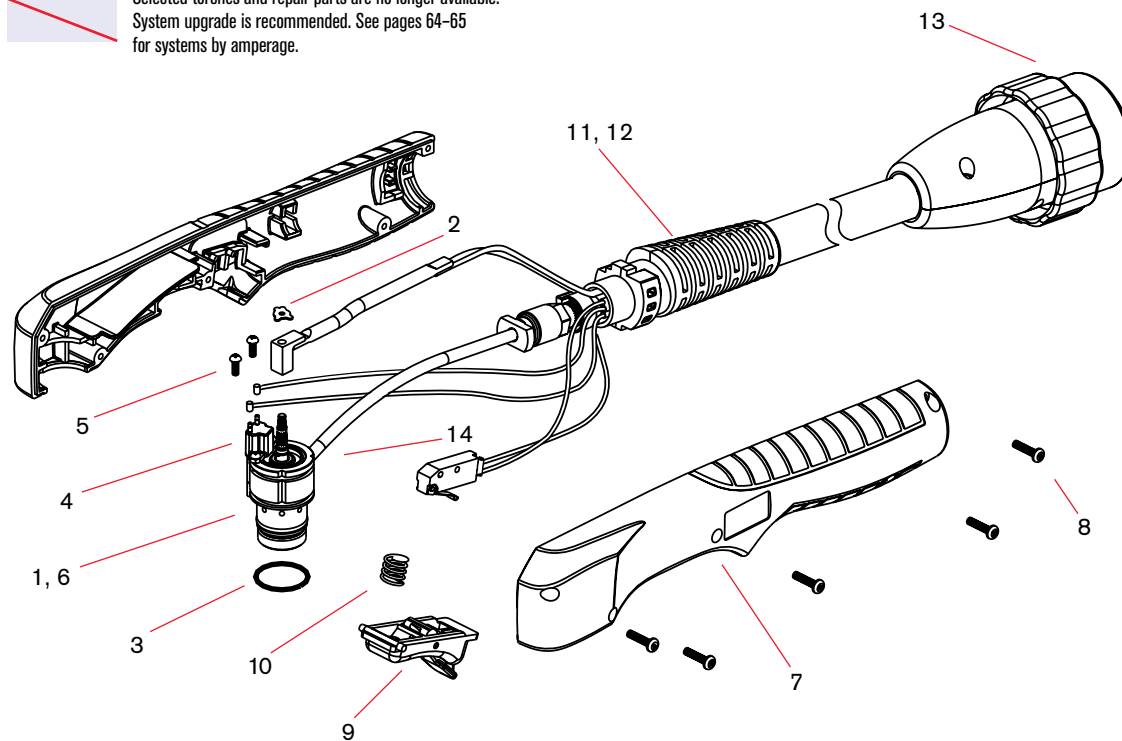


## RT80 hand torch parts

Item	Part number	Description
	087033 <sup>1</sup>	RT80 hand torch assembly with 7.6 m (25') leads
	<del>087034</del>	RT80 hand torch assembly with 15.2 m (50') leads
1	128564	Kit: torch main body replacement (does not include cap sensor)
2	027889	Retaining clip
3	058519	O-ring
4	128639	Kit: cap-off sensor replacement
5	075571	Cap-off sensor screw
6	128521	Kit: torch head repair (does not include head, includes screws)
7	128644	Kit: handle
8	075586	Handle screw
9	002244	Safety trigger
10	027254	Trigger spring
11	128829	Torch lead replacement, 7.6 m (25')
12	128830	Torch lead replacement, 15.2 m (50')
13	128826	Kit: quick disconnect repair
14	128642	Kit: start switch replacement

<sup>1</sup>Assembly includes consumables.

 Selected torches and repair parts are no longer available. System upgrade is recommended. See pages 64–65 for systems by amperage.




# RT80M machine torch parts

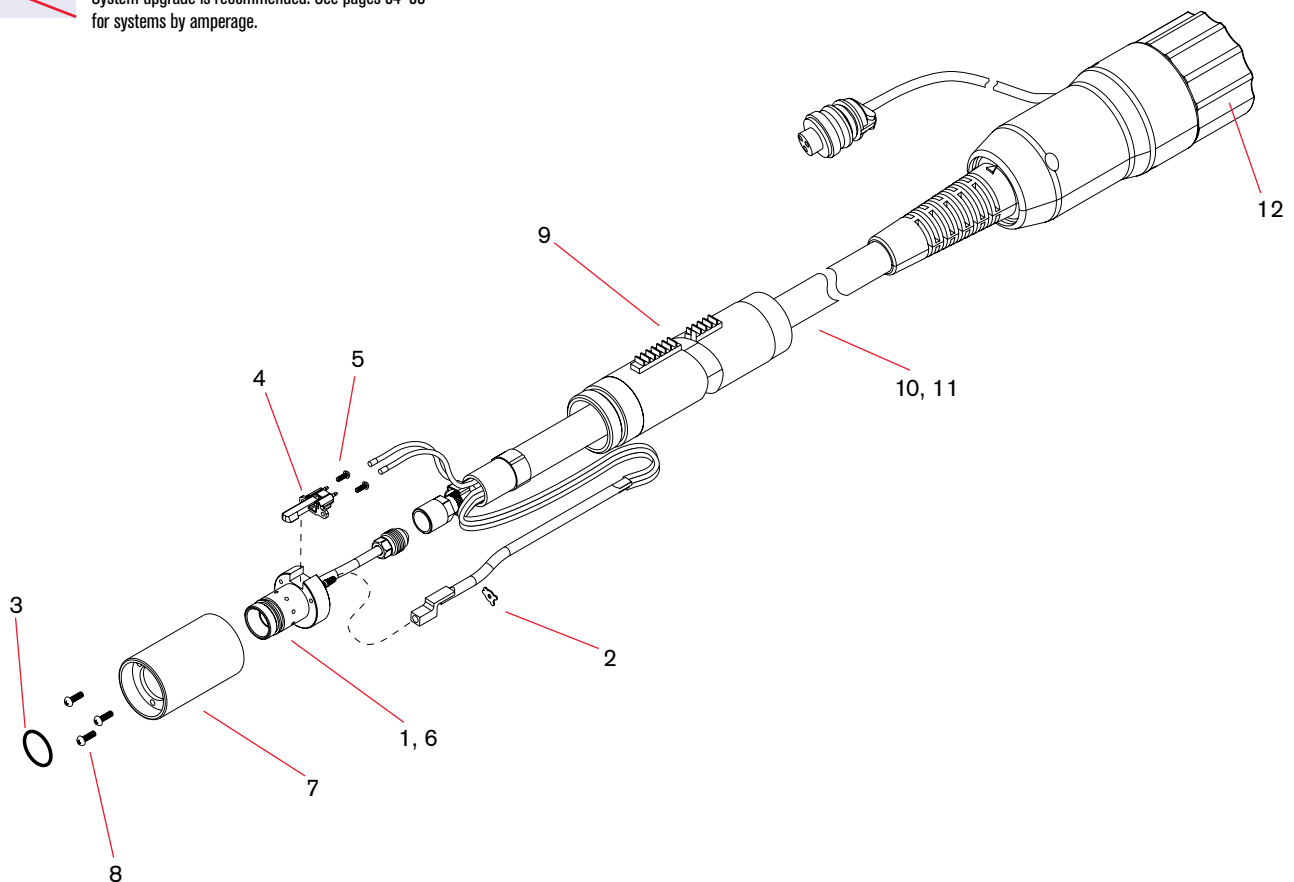


## RT80M machine torch parts

Item	Part number	Description
	087035	RT80M machine torch assembly with 7.6 m (25') leads
	<del>087036</del>	RT80M machine torch assembly with 15.2 m (50') leads
1	128640	Kit: torch main body replacement (does not include cap sensor)
2	027889	Retaining clip
3	058519	O-ring
4	128639	Kit: cap-off sensor replacement
5	075571	Cap-off sensor screw
6	128521	Kit: torch head repair (does not include head, includes screws)
7	128643	Kit: torch mounting sleeve replacement
8	075618	Torch mounting screw
9	128710	Torch positioning sleeve
10	128827	Torch lead replacement, 7.6 m (25')
11	128828	Torch lead replacement, 15.2 m (50')
12	128926	Kit: quick disconnect repair
	128645	Torch mounting kit (for reassembly after installation)

<sup>1</sup>Assembly includes consumables.

 Selected torches and repair parts are no longer available. System upgrade is recommended. See pages 64–65 for systems by amperage.



# Powermax® bulk pack consumables

Contents of package	Bulk part number (SKU, order number)	Part type	Quantity
120926	228437	Electrode	25
120927	228438	Nozzle	25
120929	228439	Shield	10
120930	228601	Shield	10
120931	228440	Nozzle	25
120932	228441	Nozzle	25
220011	228442	Nozzle	25
220037	228443	Electrode	25
220047	228600	Shield	10
220065	228444	Shield	10
220669	228844	Electrode	25
220671	228843	Nozzle	25
220673	228845	Shield	10
220777	228934	Electrode	25
220797	228762	Nozzle	25
220816	228760	Nozzle	25
220817	228763	Shield	10
220818	228764	Shield	10
220819	228759	Nozzle	25
220842	228767	Electrode	25
220930	228761	Nozzle	25
220941	228765	Nozzle	25
220990	228797	Nozzle	25
220991	228796	Nozzle	25
220992	228798	Shield	10
220993	228799	Shield	10





# Appendix

In 2012, Hypertherm initiated a product lifecycle management process for legacy MAX® and Powermax® systems designed to provide customers with a path for upgrading their torch and consumables to maximize performance and ensure overall product satisfaction. Retrofit torch options to replace the original torches that are no longer available are summarized by system in the charts below.

Please also refer to the systems and torch series by amperage charts found on pages 4 and 5 of the catalog for additional information on torch series availability and recommended system upgrade paths for legacy MAX and Powermax systems.

## MAX42® and MAX43® systems Duramax® retrofit torches

Original part number	Description	Duramax part number	Replacement description
071069	PAC121P/43 hand torch assembly 25'	228916	Duramax RT hand torch assembly 25'
071070	PAC121P/43 hand torch assembly 50'	228917	Duramax RT hand torch assembly 50'
083215	RT60 hand torch assembly 25'	228916	Duramax RT hand torch assembly 25'
083216	RT60 hand torch assembly 50'	228917	Duramax RT hand torch assembly 50'
083217	RT60M machine torch assembly 25'	228920	Duramax RT mechanized torch assembly 25'
083218	RT60M machine torch assembly 50'	228921	Duramax RT mechanized torch assembly 50'

## Powermax600® Duramax® retrofit torches

Original part number	Description	Duramax part number	Replacement description
086001	PAC123T hand torch assembly 15'	228918	Duramax RT hand torch assembly 25' (no QDisc)
086002	PAC123T hand torch assembly 25'	228918	Duramax RT hand torch assembly 25' (no QDisc)
086003	PAC123T hand torch assembly 50'	Not available	Duramax RT hand torch assembly 50' (no QDisc)
086004	PAC123M machine torch assembly 15'	228922	Duramax RT mechanized torch assembly 25' (no QDisc)
086005	PAC123M machine torch assembly 25'	228922	Duramax RT mechanized torch assembly 25' (no QDisc)
086006	PAC123M machine torch assembly 50'	228922	Duramax RT mechanized torch assembly 25' (no QDisc)
086023	PAC123T hand torch assembly 15' QDisc	228916	Duramax RT hand torch assembly 25'
086024	PAC123T hand torch assembly 25' QDisc	228917	Duramax RT hand torch assembly 50'
086025	PAC123T hand torch assembly 50' QDisc	228916	Duramax RT hand torch assembly 25'
086026	PAC123M machine torch assembly 15' QDisc	228920	Duramax RT mechanized torch assembly 25'
086027	PAC123M machine torch assembly 25' QDisc	228921	Duramax RT mechanized torch assembly 50'
086029	PAC123M machine torch assembly 50' QDisc	228921	Duramax RT mechanized torch assembly 50' (no QDisc)
083215	RT60 hand torch assembly 25'	228916	Duramax RT hand torch assembly 25'
083216	RT60 hand torch assembly 50'	228917	Duramax RT hand torch assembly 50'
083217	RT60M machine torch assembly 25'	228920	Duramax RT mechanized torch assembly 25'
083218	RT60M machine torch assembly 50'	228921	Duramax RT mechanized torch assembly 50'

**Powermax800® and Powermax900® Duramax® retrofit torches**

Original part number	Description	Duramax part number	Replacement description
083066	PAC125T hand torch assembly 25'	228916	Duramax RT hand torch assembly 25'
083067	PAC125T hand torch assembly 50'	228917	Duramax RT hand torch assembly 50'
083068	PAC125M machine torch assembly 25'	228920	Duramax RT mechanized torch assembly 25'
083069	PAC125M machine torch assembly 15'	228920	Duramax RT mechanized torch assembly 25'
083070	PAC125M machine torch assembly 35' QDisc	228921	Duramax RT mechanized torch assembly 50'
083071	PAC125M machine torch assembly 50' QDisc	228921	Duramax RT mechanized torch assembly 50'
083072	PAC125M machine torch assembly no-PGT 25'	228920	Duramax RT mechanized torch assembly 25'
083073	PAC125M machine torch assembly no-PGT 15'	228920	Duramax RT mechanized torch assembly 25'
083074	PAC125M machine torch assembly no-PGT 35'	228921	Duramax RT mechanized torch assembly 50'
083075	PAC125M machine torch assembly no-PGT 50'	228921	Duramax RT mechanized torch assembly 50'
083127	PAC125T-40A hand torch assembly 15'	228916	Duramax RT hand torch assembly 25'
083128	PAC125T-40A hand torch assembly 25'	228916	Duramax RT hand torch assembly 25'
083129	PAC125T-40A hand torch assembly 50'	228917	Duramax RT hand torch assembly 50'
083130	PAC125T-50A hand torch assembly 25'	228916	Duramax RT hand torch assembly 25'
083131	PAC125T-50A hand torch assembly 50'	228917	Duramax RT hand torch assembly 50'
083133	PAC125M-40A machine torch assembly 25'	228920	Duramax RT mechanized torch assembly 25'
083135	PAC125M-40A machine torch assembly 50'	228921	Duramax RT mechanized torch assembly 50'
083136	PAC125M-50A machine torch assembly 14'	228920	Duramax RT mechanized torch assembly 25'
083137	PAC125M-50A machine torch assembly 25'	228920	Duramax RT mechanized torch assembly 25'
083138	PAC125M-50A machine torch assembly 35'	228921	Duramax RT mechanized torch assembly 50'
083139	PAC125M-50A machine torch assembly 50'	228921	Duramax RT mechanized torch assembly 50'
083140	PAC125M-50A machine torch no-PGTL 14'	228920	Duramax RT mechanized torch assembly 25'
083141	PAC125M-50A machine torch no-PGTL 25'	228920	Duramax RT mechanized torch assembly 25'
083142	PAC125M-50A machine torch no-PGTL 35'	228921	Duramax RT mechanized torch assembly 50'
083143	PAC125M-50A machine torch no-PGTL 50'	228921	Duramax RT mechanized torch assembly 50'
083145	PAC125M machine torch 35 mm SLV 25' QDisc	N/A	
083148	PAC125M machine torch 35 mm SLV 50' QDisc	N/A	
083215	RT60 hand torch assembly 25'	228916	Duramax RT hand torch assembly 25'
083216	RT60 hand torch assembly 50'	228917	Duramax RT hand torch assembly 50'
083217	RT60M machine torch assembly 25'	228920	Duramax RT mechanized torch assembly 25'
083218	RT60M machine torch assembly 50'	228921	Duramax RT mechanized torch assembly 50'

**Powermax1000® T100 replacement torches**

Original part number	Description	T100 part number	T100 replacement description
083171	T60 hand torch assembly 50'		Not available
083172	T60 hand torch assembly 25'		Not available
083174	T60M machine torch 60A 25'		Not available
083175	T60M machine torch 60A 15'		Not available
083176	T60M machine torch 60A 35'		Not available
083177	T60M machine torch 60A 50'		Not available
083200	T60M machine torch 60A 35 mm 50'		Not available
083201	T60M machine torch 60A 35 mm 35'		Not available
083202	T60M machine torch 60A 35 mm 15'		Not available
083203	T60M machine torch 60A 35 mm 25'		Not available
083208	T60 hand torch assembly 75'		Not available
083209	T60M machine torch 60A 75'		Not available
083214	T60M machine torch 60A 35 mm 75'		Not available
083226	T60M-2 machine torch 60A 75'		Not available
083232	T60M machine torch ohmic 25'		Not available
083233	T60M machine torch ohmic 50'		Not available
083244	T60M-2 machine torch assembly 35 mm 75'		Not available

**Powermax1000® Duramax® retrofit torches**

Original part number	Description	Duramax part number	Replacement description
083171	T60 hand torch assembly 50'	228789	Duramax HRT handheld 50'
083172	T60 hand torch assembly 25'	228788	Duramax HRT handheld 25'
083174	T60M machine torch 60A 25'	228790	Duramax MRT mechanized 25'
083175	T60M machine torch 60A 15'	228790	Duramax MRT mechanized 25'
083176	T60M machine torch 60A 35'	228791	Duramax MRT mechanized 50'
083177	T60M machine torch 60A 50'	228791	Duramax MRT mechanized 50'

**Powermax1100® RT80 torch replacements**

Original part number	Description	RT80 part number	RT80 replacement description
085001	PAC135T hand torch assembly 25' QDisc	087033	RT80 hand torch 25'
085061	PAC135T hand torch assembly 50' QDisc	Not available	RT80 hand torch 50'
085062	PAC135M machine torch assembly 14' QDisc	087035	RT80 mechanized torch 25'
085063	PAC135M machine torch assembly 25' QDisc	087035	RT80 mechanized torch 25'
085064	PAC135M machine torch assembly 35' QDisc	Not available	RT80 mechanized torch 50'
085065	PAC135M machine torch assembly 50' QDisc	Not available	RT80 mechanized torch 50'

**Powermax1250® Duramax® retrofit torches**

Original part number	Description	Duramax part number	Replacement description
087001	T80 hand torch assembly 25'	228788	Duramax HRT handheld 25'
087002	T80 hand torch assembly 50'	228789	Duramax HRT handheld 50'
087003	T80M machine torch 80A 15'	228790	Duramax MRT mechanized 25'
087004	T80M machine torch 80A 25'	228790	Duramax MRT mechanized 25'
087005	T80M machine torch 80A 35'	228791	Duramax MRT mechanized 50'
087006	T80M machine torch 80A 50'	228791	Duramax MRT mechanized 50'
087029	T80M machine torch 80A 35 mm 15'	Not available	
087030	T80M machine torch 80A 35 mm 25'	Not available	
087031	T80M machine torch 80A 35 mm 50'	Not available	
087032	T80M machine torch 80A 35 mm 35'	Not available	
087047	T80 hand torch assembly 75'	Not available	
087048	T80M machine torch 80A 75'	Not available	
087064	T80M-2 machine torch 80A 75'	Not available	
087065	T80M machine torch ohmic 25'	Not available	
087066	T80M machine torch ohmic 50'	Not available	
087082	T80M-2 machine torch assembly 35 mm 75'	Not available	

**Powermax1250® T100 replacement torches**

Original part number	Description	T100 part number	T100 replacement description
087001	T80 hand torch assembly 25'	Not available	
087002	T80 hand torch assembly 50'	Not available	
087003	T80M machine torch 80A 15'	Not available	
087004	T80M machine torch 80A 25'	Not available	
087005	T80M machine torch 80A 35'	Not available	
087006	T80M machine torch 80A 50'	Not available	
087029	T80M machine torch 80A 35 mm 15'	Not available	
087030	T80M machine torch 80A 35 mm 25'	Not available	
087031	T80M machine torch 80A 35 mm 50'	Not available	
087032	T80M machine torch 80A 35 mm 35'	Not available	
087047	T80 hand torch assembly 75'	Not available	
087048	T80M machine torch 80A 75'	Not available	
087064	T80M-2 machine torch 80A 75'	Not available	
087065	T80M machine torch ohmic 25'	Not available	
087066	T80M machine torch ohmic 50'	Not available	
087082	T80M-2 machine torch assembly 35 mm 75'	Not available	

**Powermax1650® Duramax® replacement torches**

Original part number	Description	Duramax part number	Replacement description
059264	T100 hand torch assembly 25'	228788	Duramax HRT handheld 25'
059270	T100 hand torch assembly 50'	228789	Duramax HRT handheld 50'
059299	T100 hand torch assembly 75'	Not available	
059315	T100M-2 machine torch assembly 25'	228790	Duramax MRT mechanized 25'
059324	T100M-2 machine torch assembly 35'	228791	Duramax MRT mechanized 50'
059325	T100M-2 machine torch assembly 50'	228791	Duramax MRT mechanized 50'
059326	T100M-2 machine torch assembly 75'	Not available	
059333	T100M-2 machine torch assembly 35 mm 25'	228790	Duramax MRT mechanized 25'
059334	T100M-2 machine torch assembly 35 mm 35'	228791	Duramax MRT mechanized 50'
059335	T100M-2 machine torch assembly 35 mm 50'	228791	Duramax MRT mechanized 50'
059336	T100M-2 machine torch assembly 35 mm 75'	Not available	

**Powermax1650® T100 replacement torches**

Original part number	Description	T100 part number	T100 replacement description
059264	T100 hand torch assembly 25'	Not available	
059270	T100 hand torch assembly 50'	Not available	
059299	T100 hand torch assembly 75'	Not available	
059315	T100M-2 machine torch assembly 25'	Not available	
059324	T100M-2 machine torch assembly 35'	Not available	
059325	T100M-2 machine torch assembly 50'	Not available	
059326	T100M-2 machine torch assembly 75'	Not available	
059333	T100M-2 machine torch assembly 35 mm 25'	Not available	
059334	T100M-2 machine torch assembly 35 mm 35'	Not available	
059335	T100M-2 machine torch assembly 35 mm 50'	Not available	
059336	T100M-2 machine torch assembly 35 mm 75'	Not available	

**Powermax65® Duramax® replacement torches**

Original part number	Description	Duramax part number	Replacement description
083247	Powermax65 75° hand torch assembly 25'	059473	Powermax65/85/105 75° hand torch assembly 25'
083248	Powermax65 75° hand torch assembly 50'	059474	Powermax65/85/105 75° hand torch assembly 50'
083249	Powermax65 75° hand torch assembly 75'	059475	Powermax65/85/105 75° hand torch assembly 75'
083251	Powermax65 15° hand torch assembly 25'	059470	Powermax65/85/105 15° hand torch assembly 25'
083252	Powermax65 15° hand torch assembly 50'	059471	Powermax65/85/105 15° hand torch assembly 50'
083253	Powermax65 15° hand torch assembly 75'	059472	Powermax65/85/105 15° hand torch assembly 75'
083254	Powermax65 180° machine torch assembly 15'	059476	Powermax65/85/105 180° machine torch assembly 15'
083255	Powermax65 180° machine torch assembly 25'	059477	Powermax65/85/105 180° machine torch assembly 25'
083256	Powermax65 180° machine torch assembly 35'	059478	Powermax65/85/105 180° machine torch assembly 35'
083257	Powermax65 180° machine torch assembly 50'	059479	Powermax65/85/105 180° machine torch assembly 50'
083258	Powermax65 180 ° machine torch assembly 75'	059480	Powermax65/85/105 180° machine torch assembly 75'
083259	Powermax65 180 ° mini machine torch assembly 15'	059481	Powermax65/85/105 180° mini machine torch assembly 15'
083260	Powermax65 180° mini machine torch assembly 25'	059482	Powermax65/85/105 180° mini machine torch assembly 25'
083261	Powermax65 180° mini machine torch assembly 35'	059483	Powermax65/85/105 180° mini machine torch assembly 35'
083262	Powermax65 180° mini machine torch assembly 50'	059484	Powermax65/85/105 180° mini machine torch assembly 50'
083263	Powermax65 180° mini machine torch assembly 75'	Not available	

**Powermax85® Duramax® replacement torches**

Original part number	Description	Duramax part number	Replacement description
087085	Powermax85 75° hand torch assembly 25'	059473	Powermax65/85/105 75° hand torch assembly 25'
087086	Powermax85 75° hand torch assembly 50'	059474	Powermax65/85/105 75° hand torch assembly 50'
087087	Powermax85 75° hand torch assembly 75'	059475	Powermax65/85/105 75° hand torch assembly 75'
087089	Powermax85 15° hand torch assembly 25'	059470	Powermax65/85/105 15° hand torch assembly 25'
087090	Powermax85 15° hand torch assembly 50'	059471	Powermax65/85/105 15° hand torch assembly 50'
087091	Powermax85 15° hand torch assembly 75'	059472	Powermax65/85/105 15° hand torch assembly 75'
087092	Powermax85 180° machine torch assembly 15'	059476	Powermax65/85/105 180° machine torch assembly 15'
087093	Powermax85 180° machine torch assembly 25'	059477	Powermax65/85/105 180° machine torch assembly 25'
087094	Powermax85 180° machine torch assembly 35'	059478	Powermax65/85/105 180° machine torch assembly 35'
087095	Powermax85 180° machine torch assembly 50'	059479	Powermax65/85/105 180° machine torch assembly 50'
087096	Powermax85 180° machine torch assembly 75'	059480	Powermax65/85/105 180° machine torch assembly 75'
087097	Powermax85 180° mini machine torch assembly 15'	059481	Powermax65/85/105 180° mini machine torch assembly 15'
087098	Powermax85 180° mini machine torch assembly 25'	059482	Powermax65/85/105 180° mini machine torch assembly 25'
087099	Powermax85 180° mini machine torch assembly 35'	059483	Powermax65/85/105 180° mini machine torch assembly 35'
087100	Powermax85 180° mini machine torch assembly 50'	059484	Powermax65/85/105 180° mini machine torch assembly 50'
087101	Powermax85 180° mini machine torch assembly 75'	Not available	

**Powermax65® and Powermax85® torch and lead replacement kits**

Original part number	Description	Duramax part number	Replacement description
228717	Kit:H65/H85/HRT torch handle replacement	228954	Kit:Duramax HT/HRT torch handle replacement
228718	Kit:H65s/H85s torch handle replacement	228955	Kit:Duramax HTS/HRTS torch handle replacement
228723	Kit:H65/H85 torch lead replacement, 25'	Not available	
228724	Kit:H65/H85 torch lead replacement, 50'	Not available	
228725	Kit:H65/H85 torch lead replacement, 75'	Not available	
228727	Kit:H65s/H85s torch lead replacement, 25'	228959	Kit:Duramax hand torch lead replacement 25'
228728	Kit:H65s/H85s torch lead replacement, 50'	228960	Kit:Duramax hand torch lead replacement 50'
228729	Kit:H65s/H85s torch lead replacement, 75'	228961	Kit:Duramax hand torch lead replacement 75'
228784	Kit: Duramax HRT/HRTs lead replacement 25'	228952	Kit: Duramax HRT/HRTS 1/2" coupler lead replacement 25'
228785	Kit: Duramax HRT/HRTs lead replacement 50'	228953	Kit: Duramax HRT/HRTS 1/2" coupler lead replacement 50'

▶ **HYACCESS™ EXTENDED CONSUMABLES PROVIDE THE EXTRA REACH NEEDED WHEN CUTTING OR GOUGING IN HARD TO ACCESS OR CONFINED SPACES.**

**AUTO**

Special  
Thanks  
**Dad**

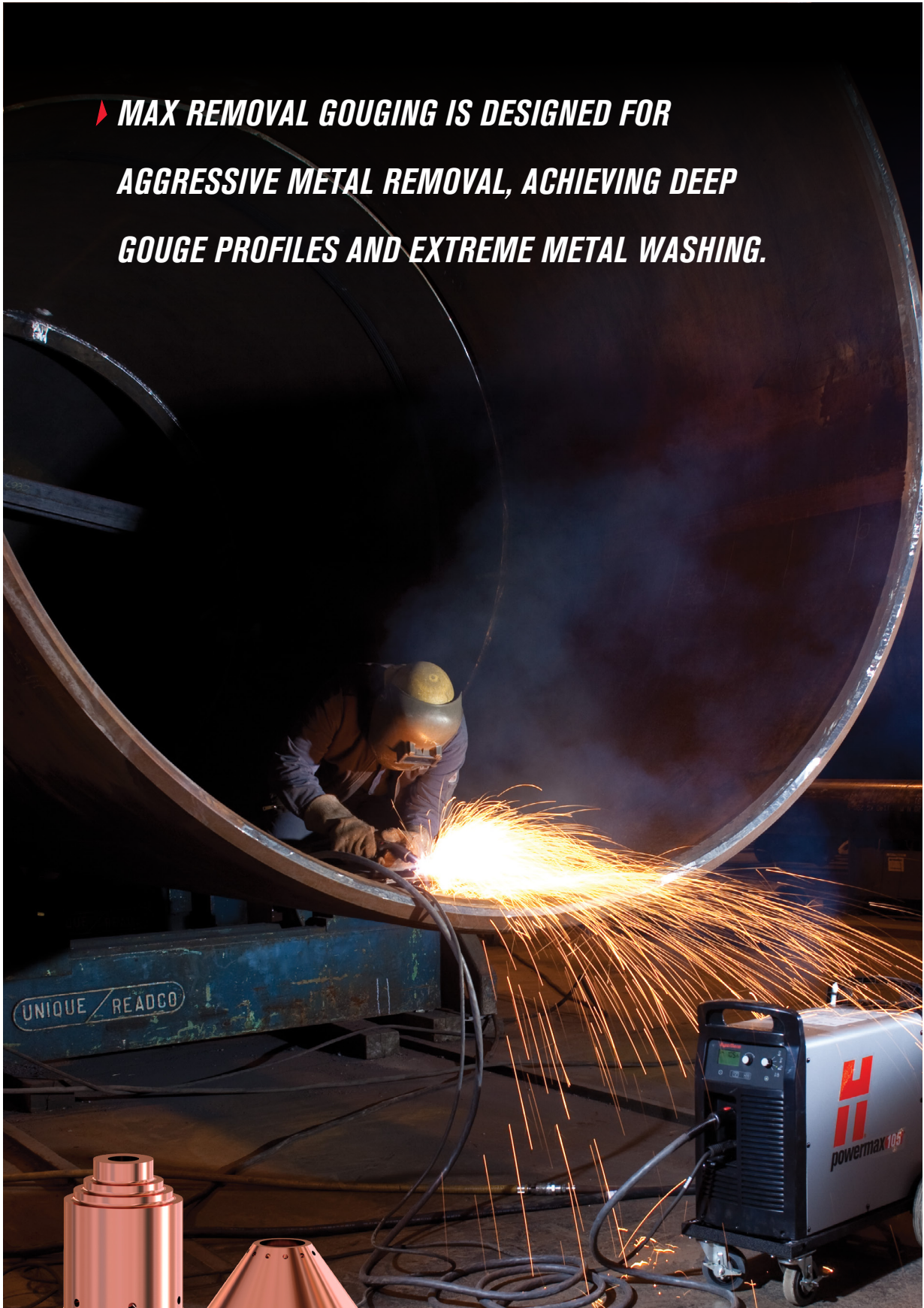




**▶ THE FLUSHCUT™ PROCESS FOR SELECT POWERMAX SYSTEMS PROVIDES USERS WITH THE ABILITY TO CUT CLOSER TO BASE MATERIALS THAN EVER BEFORE.**



**▶ MAX REMOVAL GOUGING IS DESIGNED FOR  
AGGRESSIVE METAL REMOVAL, ACHIEVING DEEP  
GOUGE PROFILES AND EXTREME METAL WASHING.**





**NEW!**

**▶ MAX CONTROL GOUGING IS DESIGNED FOR MORE  
PRECISE METAL REMOVAL, ACHIEVING SHALLOWER  
GOUGE PROFILES AND LIGHT METAL WASHING.**







**HELPING YOU  
SHAPE THE WORLD.**



PLASMA | LASER | WATERJET | AUTOMATION | SOFTWARE | CONSUMABLES

For more information on Hypertherm consumables,  
visit [www.hypertherm.com](http://www.hypertherm.com)

Hypertherm, Powermax, Duramax, FineCut, CopperPlus, HyAccess, Hyamp, SpringStart, and Conical Flow are trademarks of Hypertherm, Inc. and may be registered in the United States and/or other countries.

Environmental stewardship is one of Hypertherm's core values, and it is critical to our success and our customers' success. We are striving to reduce the environmental impact of everything we do. For more information: [www.hypertherm.com/environment](http://www.hypertherm.com/environment).



© 4/2020 Hypertherm Inc. Revision 18  
880200

**Hypertherm**<sup>®</sup>  
SHAPING POSSIBILITY<sup>®</sup>

