

Represented by



ILLING[™]
P A C K A G I N G

Product Specification Sheet

Illing Part#

3EC3204

2 GALLON WHITE HDPE OH PAIL WITH METAL BAIL

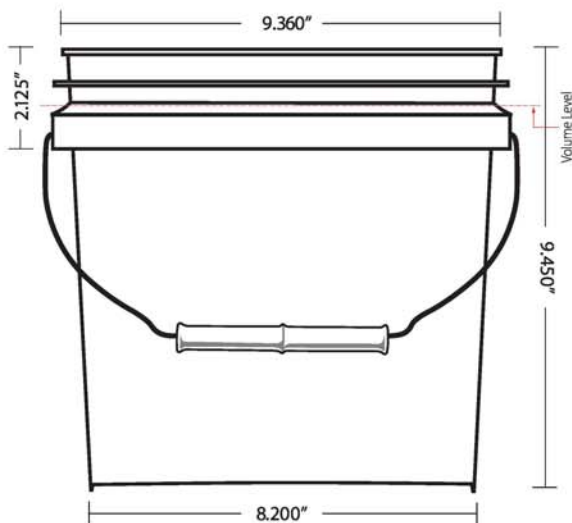
Part #: 3EC3204

| | |
|------------------|-----------------------|
| Size: | 2 Gallon |
| Color: | White |
| Material: | HDPE |
| Style: | OH Plastic Round Pail |
| Additional Info: | With Metal Bail |
| Case Pack: | 400 each |
| Pallet Pack: | 400 each |



INDUSTRIAL *Pail* **2 Gallon**

ITEM NUMBERS: 20256



Technical Specifications

Material: HDPE
 Wall thickness: 0.062
 Maximum capacity under lid: 290 fluid oz.
 Overflow capacity: 302 fluid oz.
 or 2.35 gal. (to the rim)

Dimensions

Diameter: 9.360" +/- 0.010
 Height: 9.450"

Available decoration

4 color dry offset printing

Handle

Wire handle: 12 gauge galvanized wire
 with injection molded plastic grip

ITEM NUMBERS: 20000 & 20400 LID



Technical Specifications

Material: HDPE
 Wall Thickness: 0.062

Dimensions

Diameter: 9.740" +/- 0.010

SPECIFICATIONS

| Description | Item | Material | Case Pack | Cases Per Pallet | Ship Weight | Case Cube | Maximum Print Area | Estimated Truckload Qty |
|-----------------------------|-------|----------|-----------|------------------|-------------|-----------|----------------------------|---------------------------------|
| 2 Gallon / 256 oz. / 7.57 L | 20256 | White | 400 | 2 | 395 | 55.44 | 5-5/8" x 26-1/2", 1/2" gap | (Containers and Lids) 20,000 |
| Tear Strip Gasket Lid | 20000 | White | 100 | 40 | 27 | 2.76 | N/A | |
| Tint Plug, Tear-Strip Lid | 20400 | White | 100 | 40 | 27 | 2.76 | N/A | |

Specifications may vary slightly over time. The information and recommendations are provided for these products with the understanding that the purchaser or user will independently determine that the product is suitable for the intended use, and that such use, complies with all applicable laws and regulations. The data represents typical values submitted only for the user's information and consideration and does not constitute a warranty of any kind.



319 Howard Drive • Sandusky, Ohio 44870
 1-800-336-2673 • Fax: 419.626.8095
www.e-Encore.com