

Hypertherm®

powermax1650® G3 SERIES™

Hand torch parts

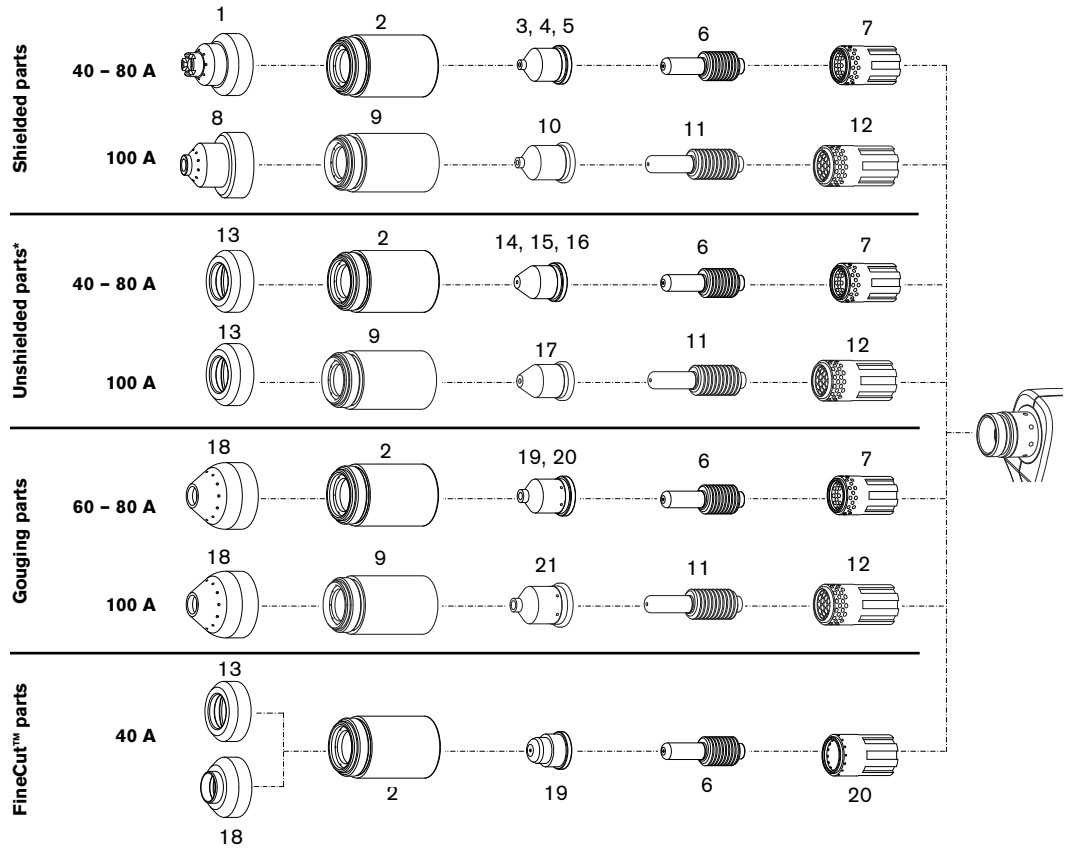
T100 consumables



Powermax1650



T100 torch



| | 100 AMP | | 80 AMP | | 60 AMP | | 40 AMP | | QUANTITY PER PACKAGE | |
|-------------------|---------------|-------------|-------------|-------------|-------------|-------------|-------------|-------------|----------------------|---|
| | ITEM NUMBER | PART NUMBER | ITEM NUMBER | PART NUMBER | ITEM NUMBER | PART NUMBER | ITEM NUMBER | PART NUMBER | | |
| Shielded parts | Shield | 8 | 220065 | 1 | 120929 | 1 | 120929 | 1 | 120929 | 1 |
| | Retaining cap | 9 | 220048 | 2 | 120928 | 2 | 120928 | 2 | 120928 | 1 |
| | Nozzle | 10 | 220011 | 5 | 120927 | 4 | 120931 | 3 | 120932 | 5 |
| | Electrode | 11 | 220037 | 6 | 120926 | 6 | 120926 | 6 | 120926 | 5 |
| | Swirl ring | 12 | 220051 | 7 | 120925 | 7 | 120925 | 7 | 120925 | 1 |
| Unshielded parts* | Deflector | 13 | 120979 | 13 | 120979 | 13 | 120979 | 13 | 120979 | 1 |
| | Retaining cap | 9 | 220048 | 2 | 120928 | 2 | 120928 | 2 | 120928 | 1 |
| | Nozzle | 17 | 220064 | 16 | 120980 | 15 | 220007 | 14 | 220006 | 5 |
| | Electrode | 11 | 220037 | 6 | 120926 | 6 | 120926 | 6 | 120926 | 5 |
| | Swirl ring | 12 | 220051 | 7 | 120925 | 7 | 120925 | 7 | 120925 | 1 |
| Gouging parts | Shield | 18 | 120977 | 18 | 120977 | 18 | 120977 | — | — | 1 |
| | Retaining cap | 9 | 220048 | 2 | 120928 | 2 | 120928 | — | — | 1 |
| | Nozzle | 21 | 220063 | 20 | 120059 | 19 | 220059 | — | — | 5 |
| | Electrode | 11 | 220037 | 6 | 120926 | 6 | 120926 | — | — | 5 |
| | Swirl ring | 12 | 220051 | 7 | 120925 | 7 | 120925 | — | — | 1 |
| FineCut™ parts | Deflector | — | — | — | — | — | — | 13 | 120979 | 1 |
| | Deflector, CE | — | — | — | — | — | — | 18 | 220325 | 1 |
| | Retaining cap | — | — | — | — | — | — | 2 | 120928 | 1 |
| | Nozzle | — | — | — | — | — | — | 19 | 220329 | 5 |
| | Electrode | — | — | — | — | — | — | 6 | 120926 | 5 |
| | Swirl ring | — | — | — | — | — | — | 20 | 220327 | 1 |

Genuine Hypertherm Consumables

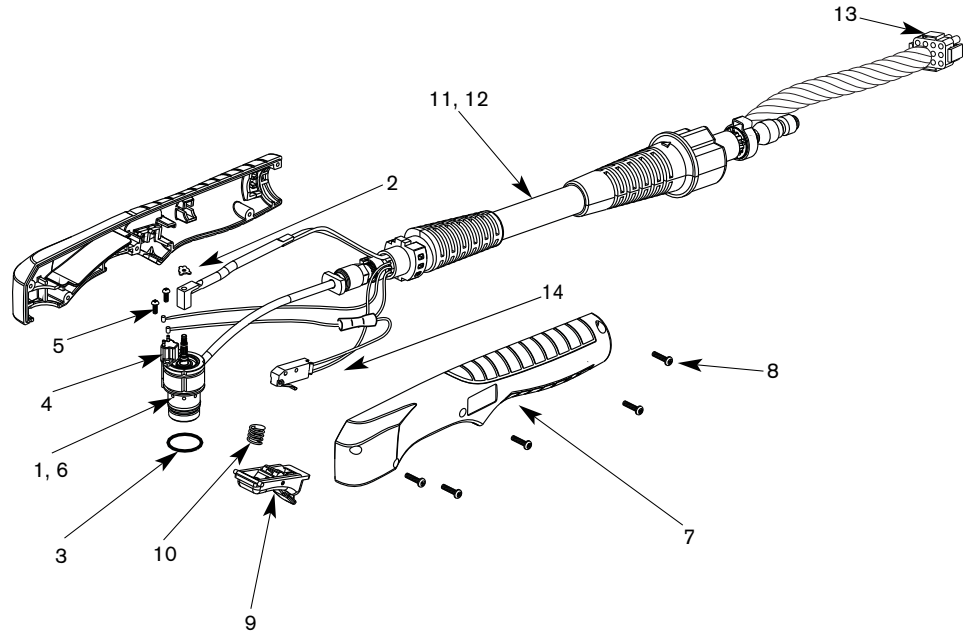
The only way to ensure maximum performance

WARNING

*In countries following CE standards, shielded consumables parts must be used for hand cutting applications.

Unshielded consumables: maintain torch-to-work distance of approximately 3/16" (4.8 mm).

Powermax1650 T100 safety trigger torch assembly



T100 torch

| ITEM NUMBER | PART NUMBER | DESCRIPTION | QUANTITY |
|-------------|-------------|---|----------|
| | 059264^ | T100 hand torch assembly with 25 ft (7.6 m) lead | |
| | 059270^ | T100 hand torch assembly with 50 ft (15.2 m) lead | |
| 1 | 128767 | T100 torch main body replacement kit | 1 |
| 2 | 027889 | Retaining clip | 1 |
| 3 | 058519 | O-ring | 1 |
| 4 | 128639 | Cap-off sensor replacement kit | 1 |
| 5 | 075571 | Cap-off sensor screws | 2 |
| 6 | 128768 | T100/T100M torch head repair kit | 1 |
| 7 | 128644 | Handle kit | 1 |
| 8 | 075586 | Handle screws | 5 |
| 9 | 002244 | Safety trigger | 1 |
| 10 | 027254 | Trigger spring | 1 |
| 11 | 128755 | 25 ft (7.6 m) torch lead replacement kit | 1 |
| 12 | 128752 | 50 ft (15.2 m) torch lead replacement kit | 1 |
| 13 | 128638 | ETR repair kit (Regional Repair Centers only) | 1 |
| 14 | 128642 | Start switch replacement kit | 1 |

^ Assembly includes consumables

Hypertherm, Powermax, G3 Series, FineCut and PAC are trademarks of Hypertherm, Inc. and may be registered in the United States and/or other countries.

Hypertherm®

www.hypertherm.com

Hypertherm, Inc. USA 603-643-3441 Tel 603-643-5352 Fax manual.info@hypertherm.com

Hypertherm Automation USA 603-298-7970 Tel 603-298-7977 Fax info@hyperthermautomation.com

Hypertherm Plasmatechnik GmbH Deutschland 49 6181 58 2100 Tel 49 6181 58 2134 Fax HTDeutschland.info@hypertherm.com

Hypertherm (S) Pte Ltd. Singapore 65 6841 2489 Tel 65 6841 2490 Fax HTSingapore.info@hypertherm.com

Hypertherm (Shanghai) Trading Co., Ltd. PR China 86-21 5258 3330 /1 Tel 86-21 5258 3332 Fax HTChina.info@hypertherm.com

Hypertherm Branch of Hypertherm UK, LLC England 00 800 3324 9737 Tel 00 800 4973 7329 Fax HTUK.info@hypertherm.com

France (Representative office) 00 800 3324 9737 Tél 00 800 4973 7329 Fax HTFrance.info@hypertherm.com

Hypertherm Europe B.V. Nederland 31 165 596907 Tel 31 165 596901 Fax HTEurope.info@hypertherm.com

Hypertherm Japan Ltd. 81 6 6170 2020 Tel 81 6 6170 2015 Fax HTJapan.info@hypertherm.com

Hypertherm Brasil Ltda. 55 11 2409 2636 Tel 55 11 2408 0462 Fax HTBrasil.info@hypertherm.com

Hypertherm México, S.A. de C.V. 52 55 5681 8109 Tel 52 55 5683 2127 Fax ventas@hypertherm.com.mx

Australia/New Zealand (Representative office) 61 (0) 7 3219 9010 Tel 61 (0) 7 3219 9012 Fax sales.au@hypertherm.com